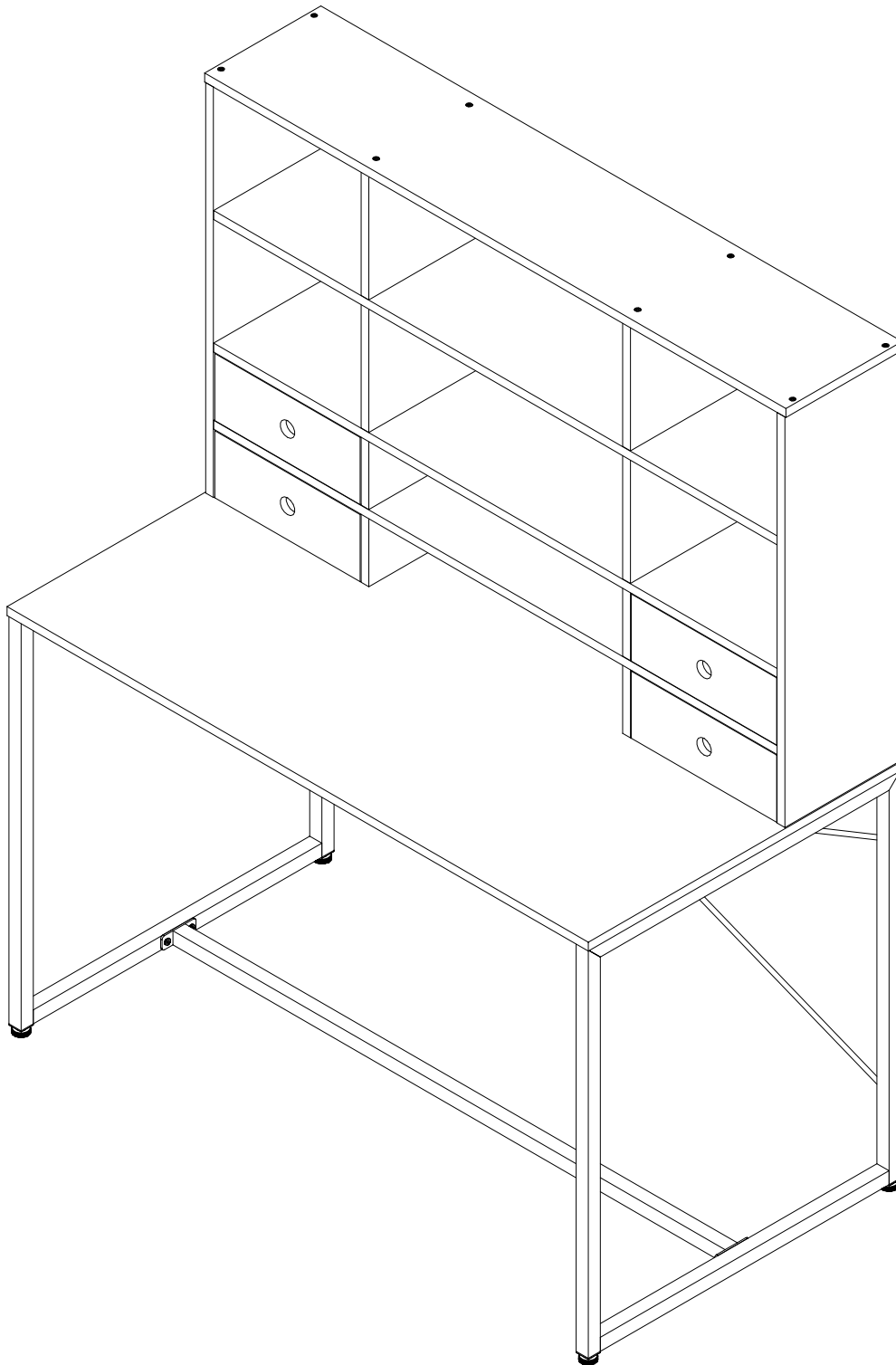
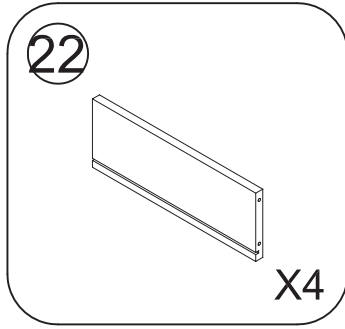
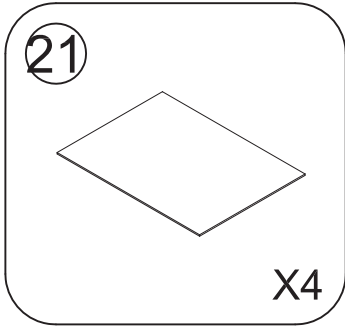
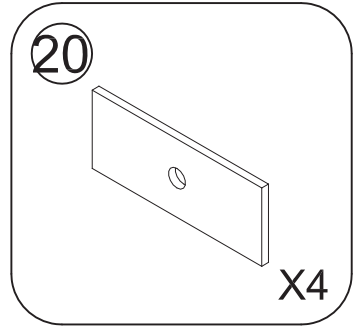
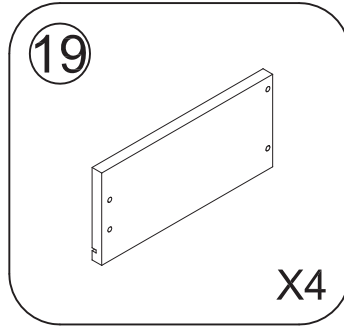
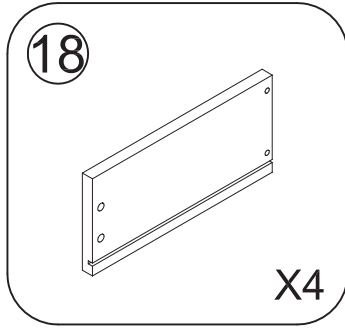
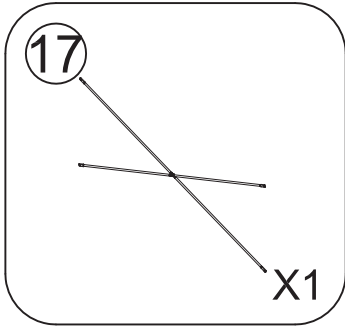
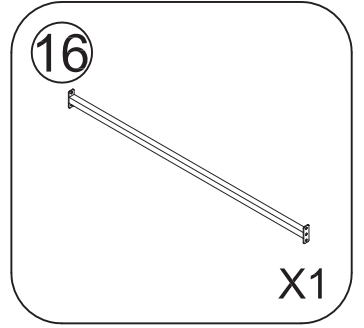
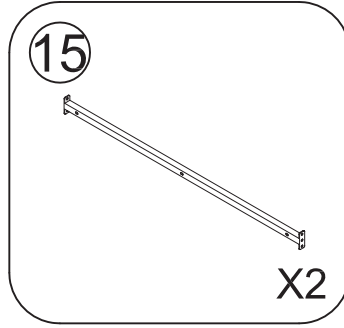
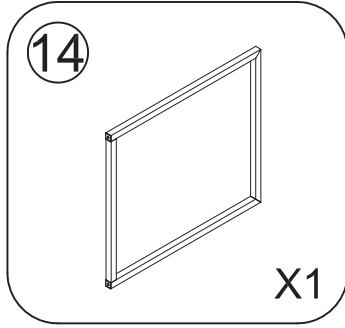
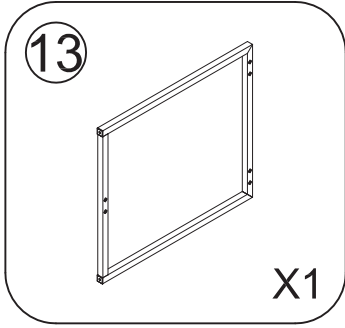
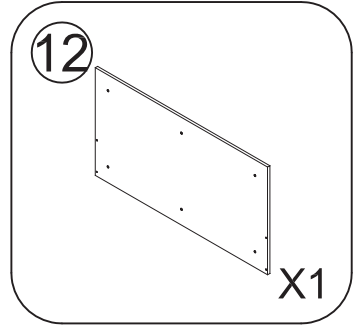
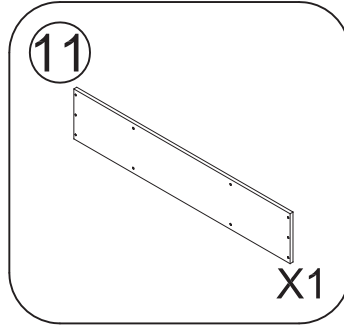
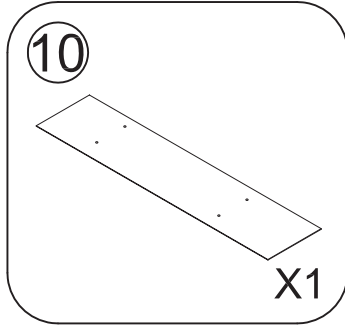
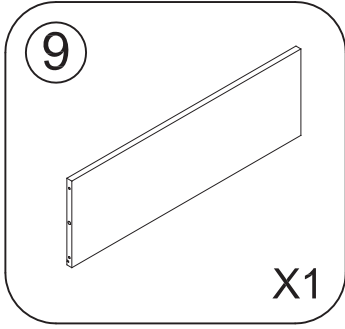
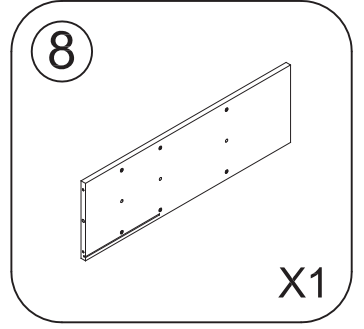
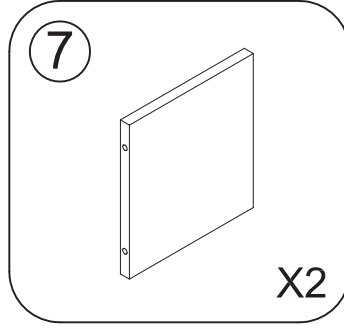
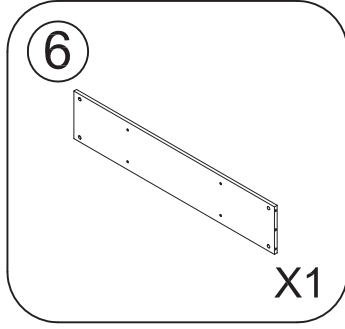
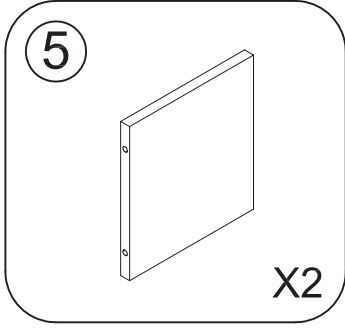
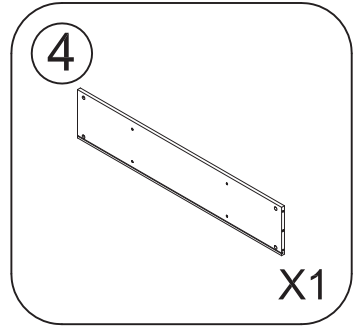
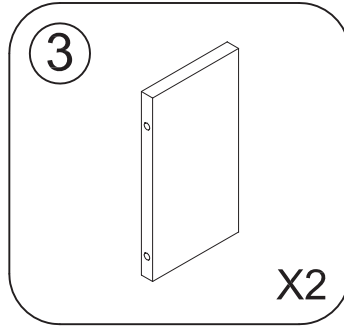
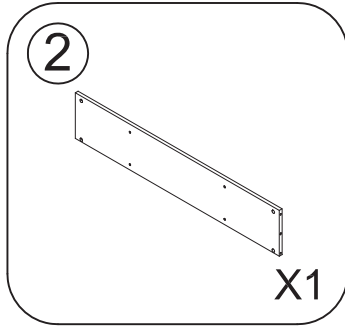
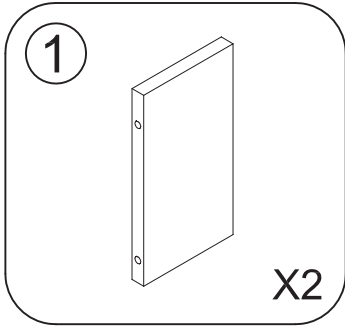


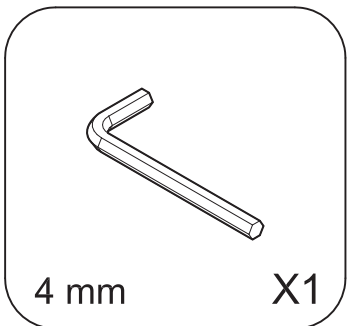
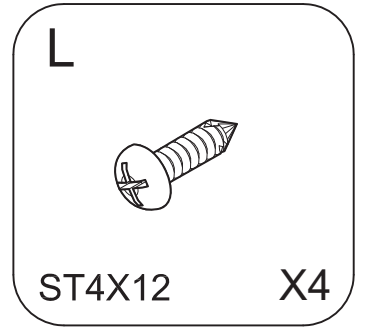
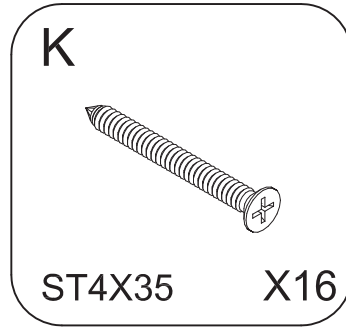
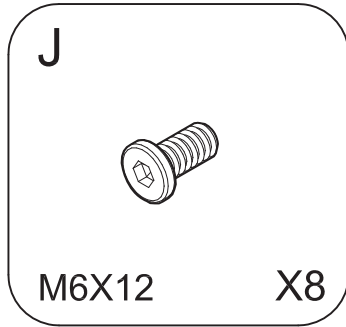
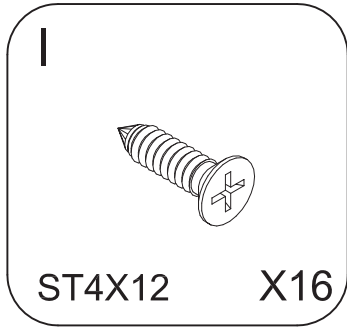
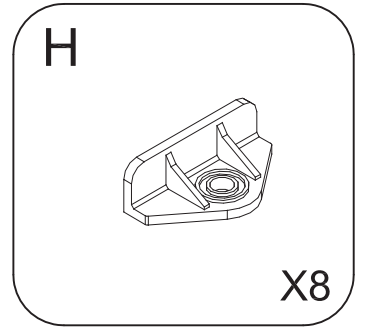
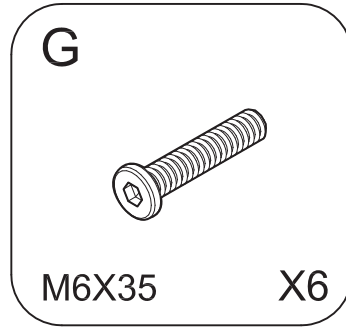
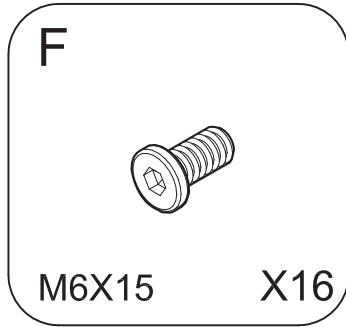
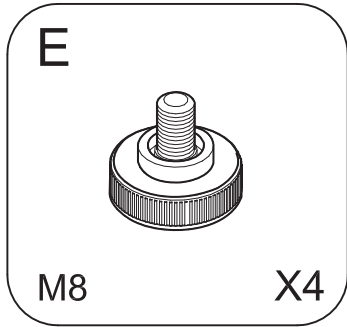
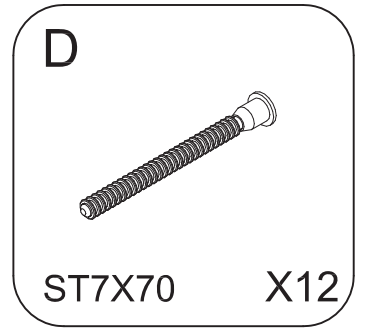
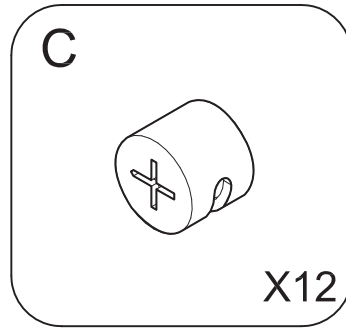
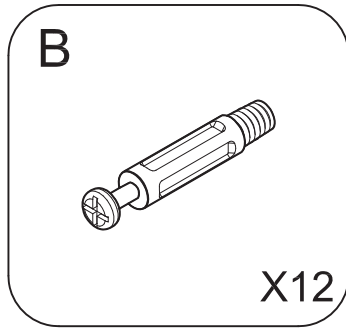
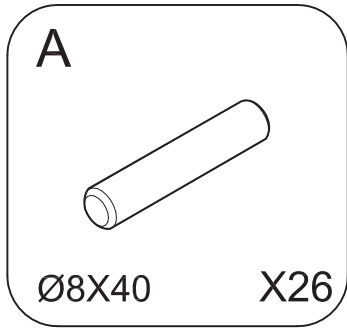
# Assembling Instruction

SWA-12202

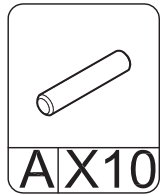
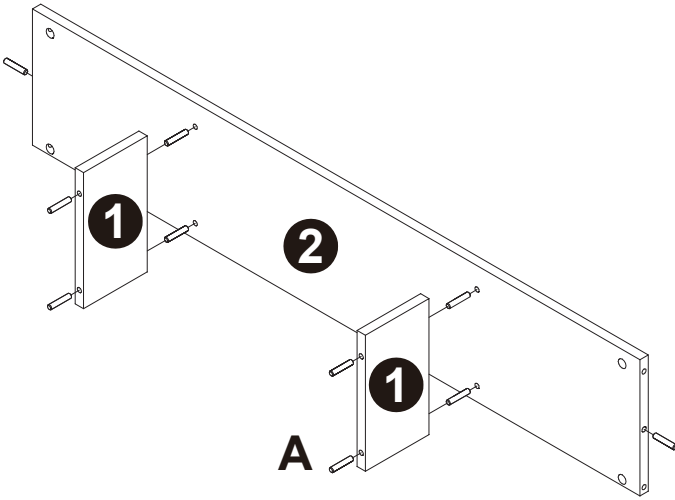
Attention: Do not tighten the screws until all of them are in right positions



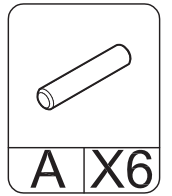
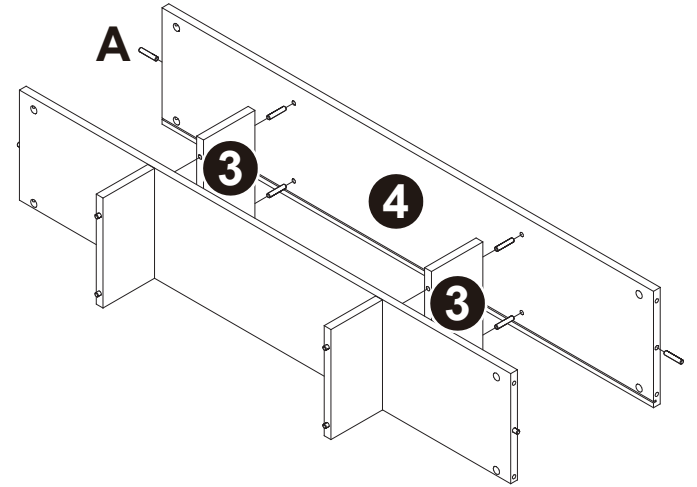




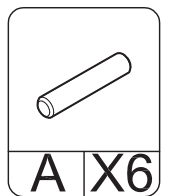
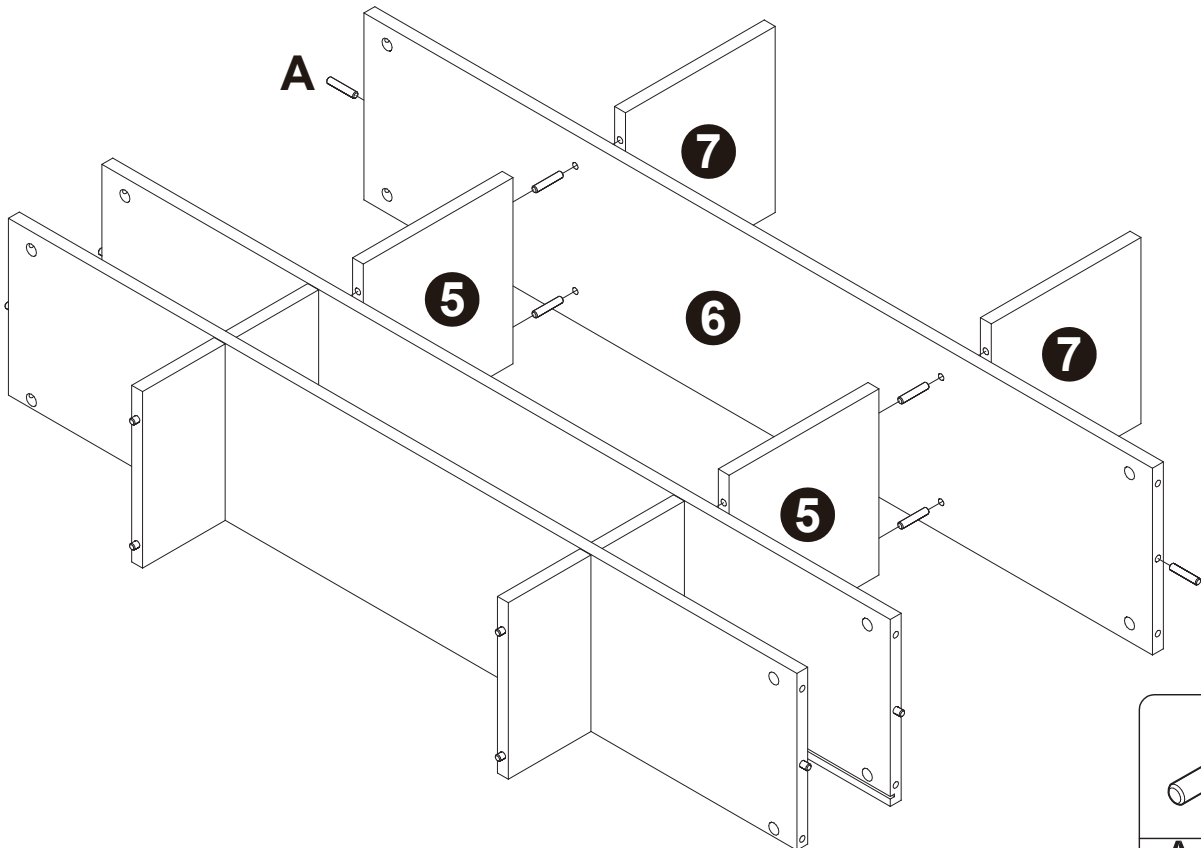
## Step 1



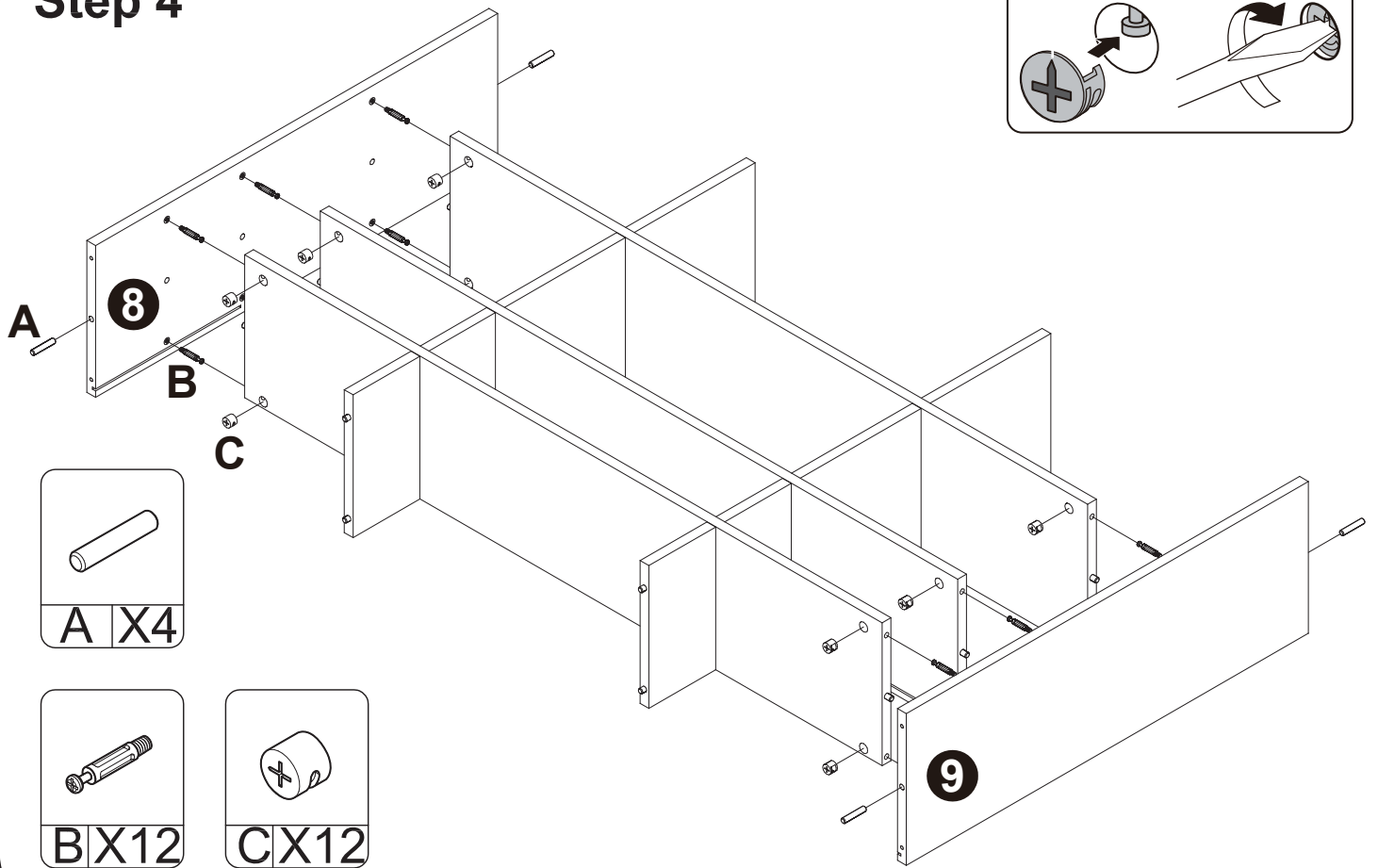
## Step 2



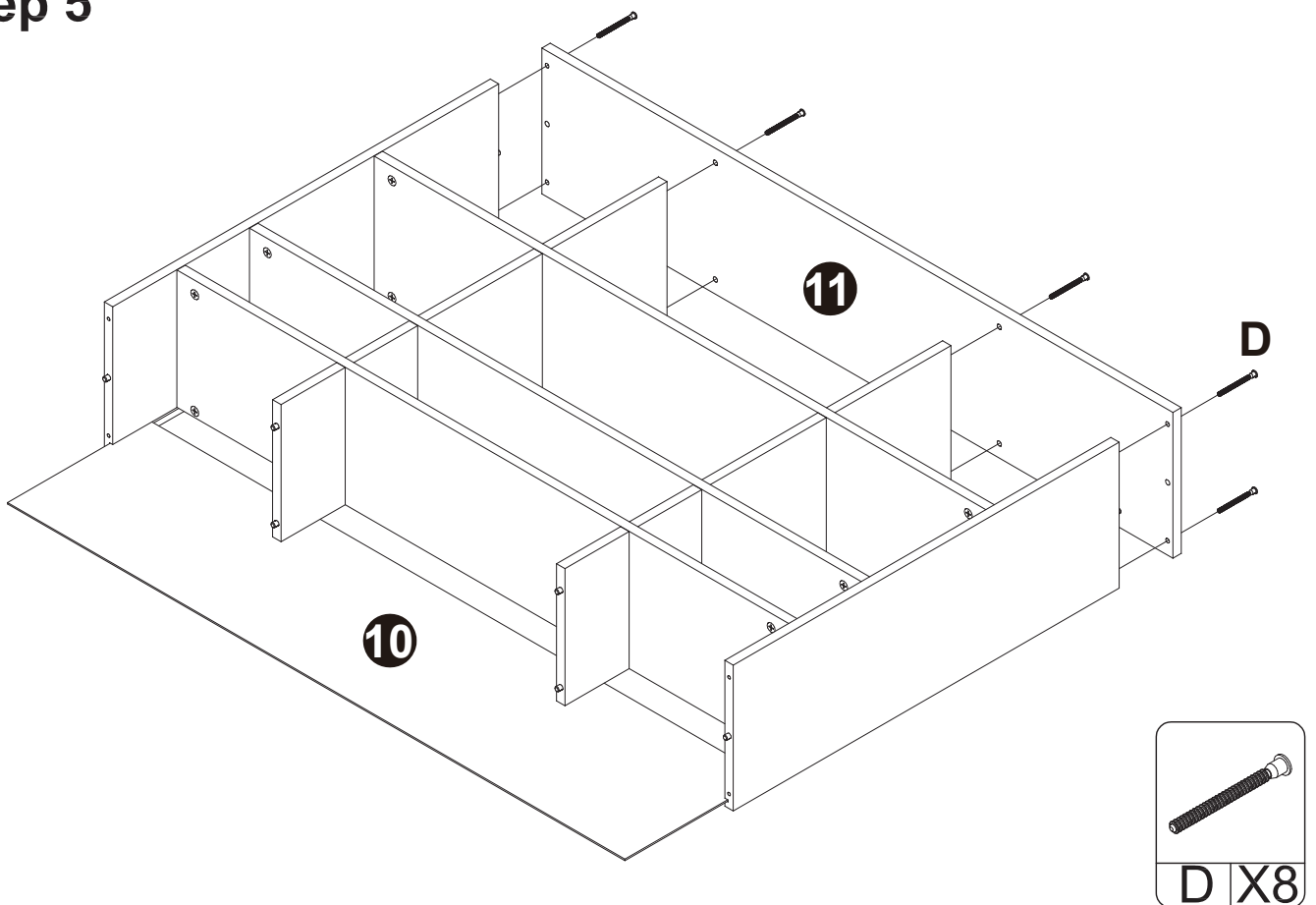
## Step 3



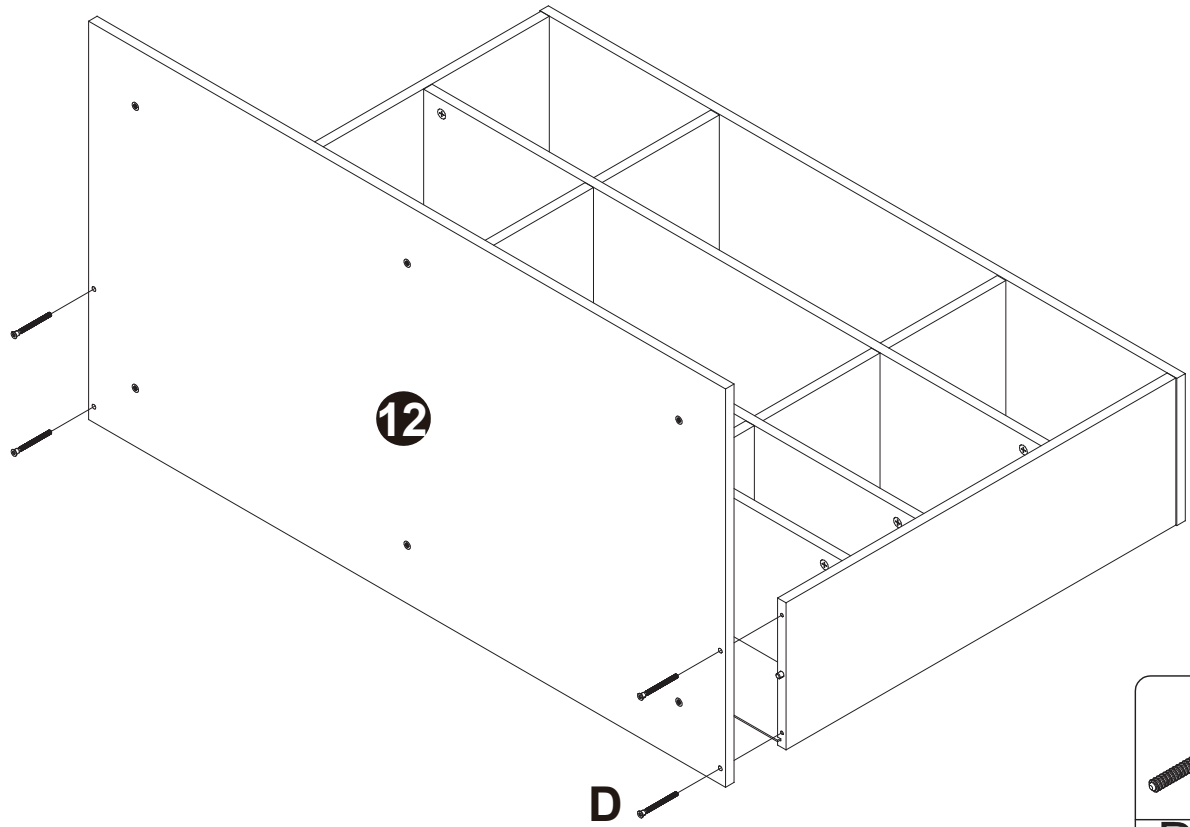
## Step 4



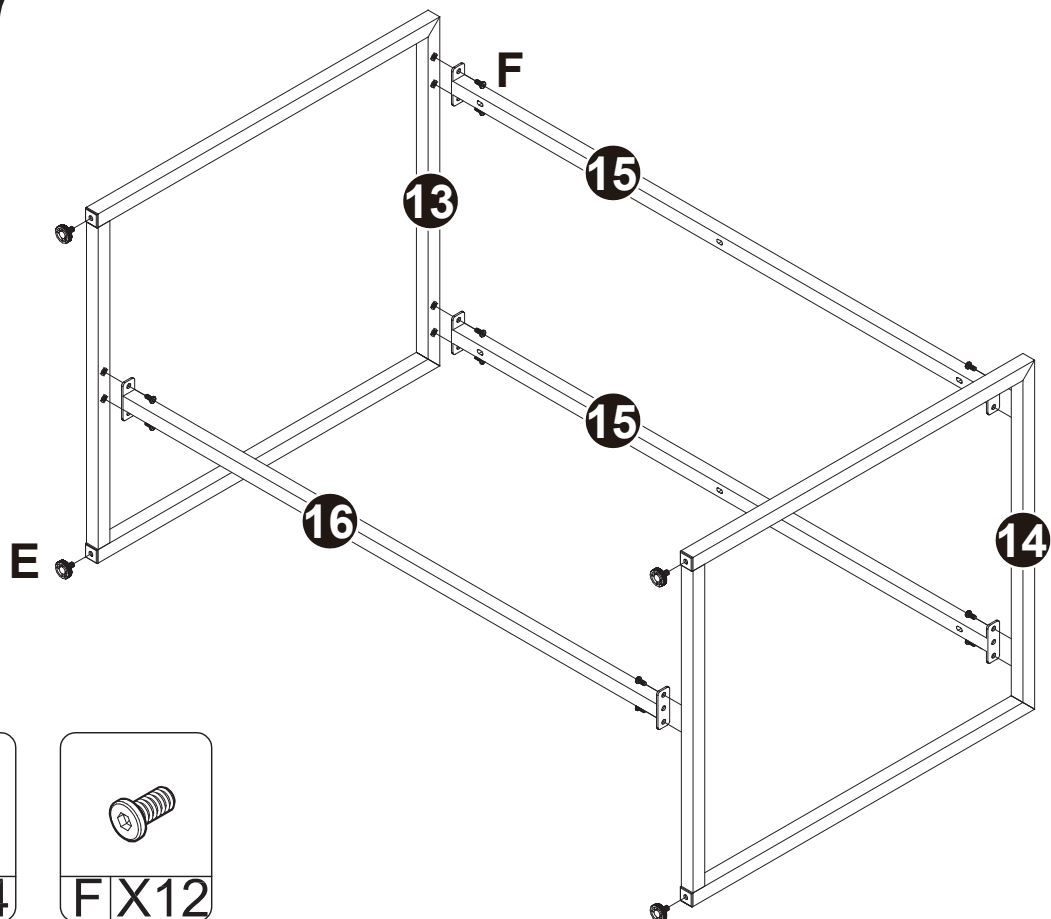
## Step 5



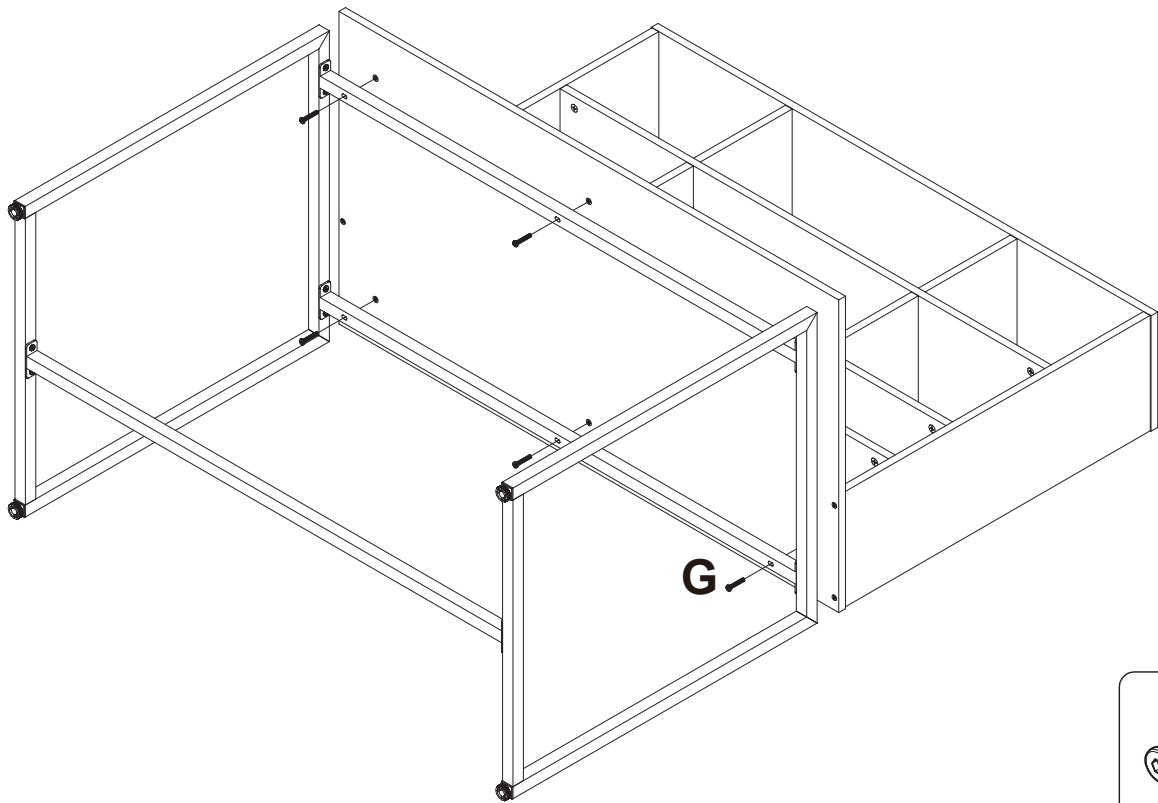
## Step 6



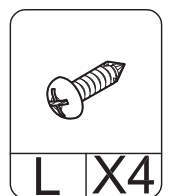
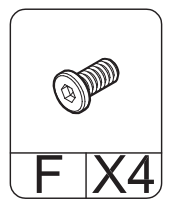
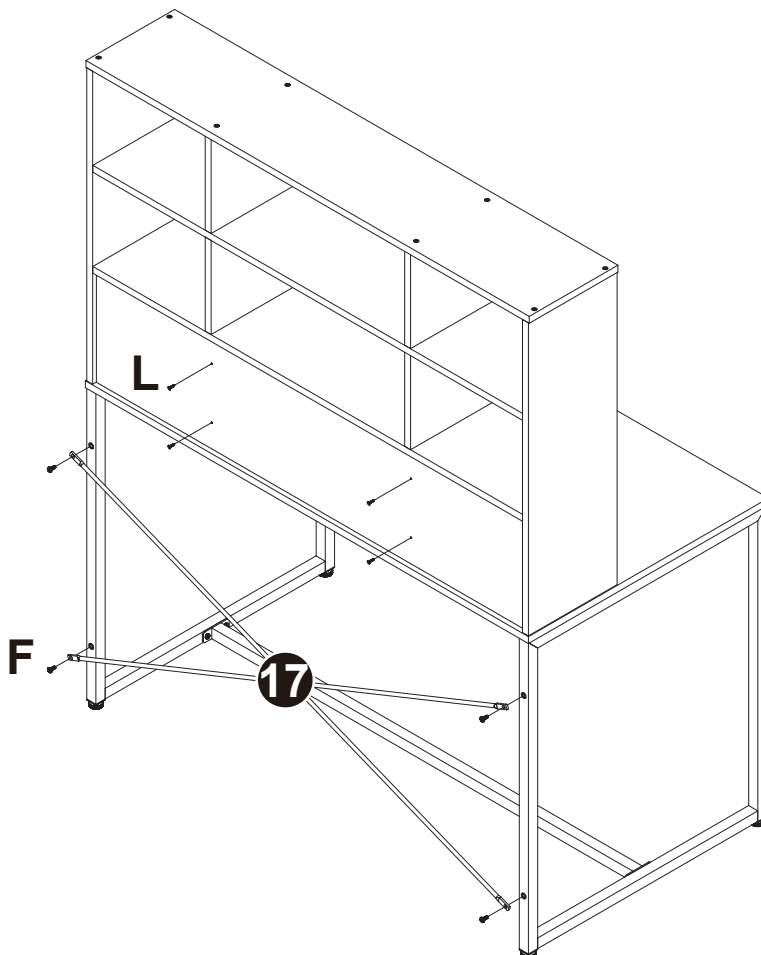
## Step 7



## Step 8

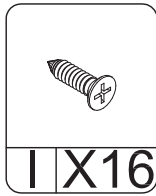
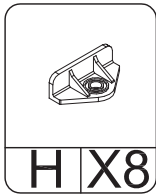
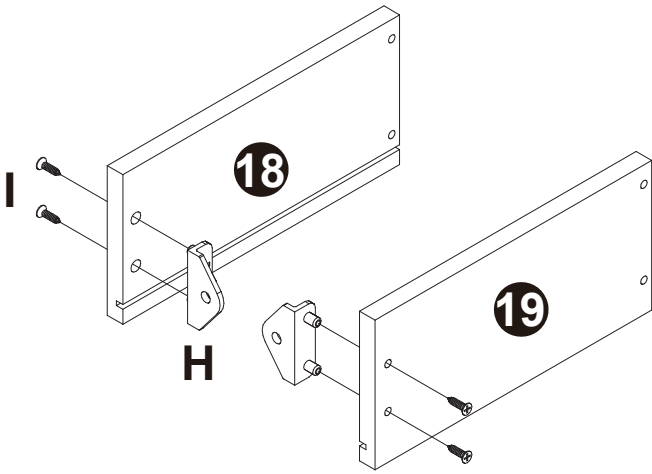


## Step 9



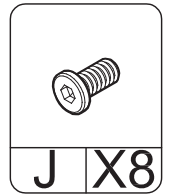
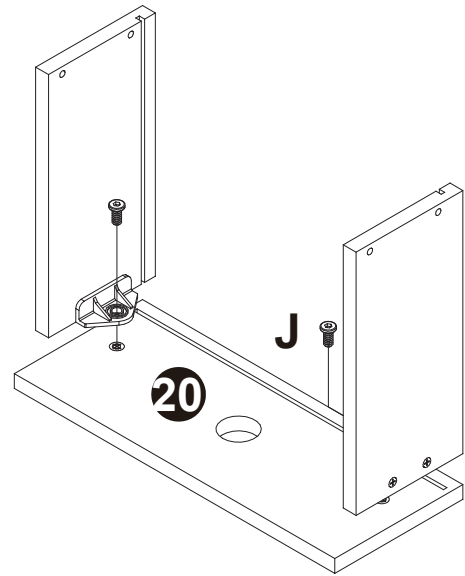
## Step 10

4 pieces



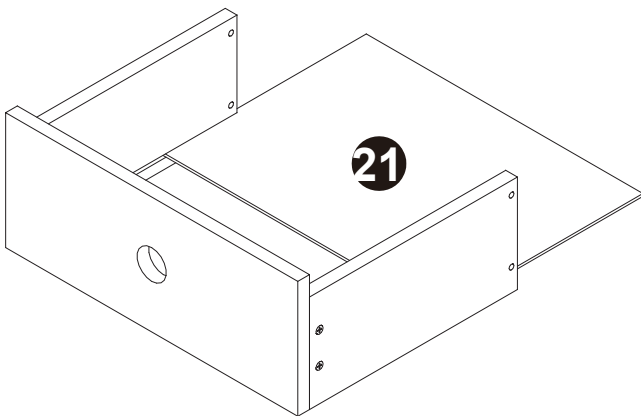
## Step 11

4 pieces



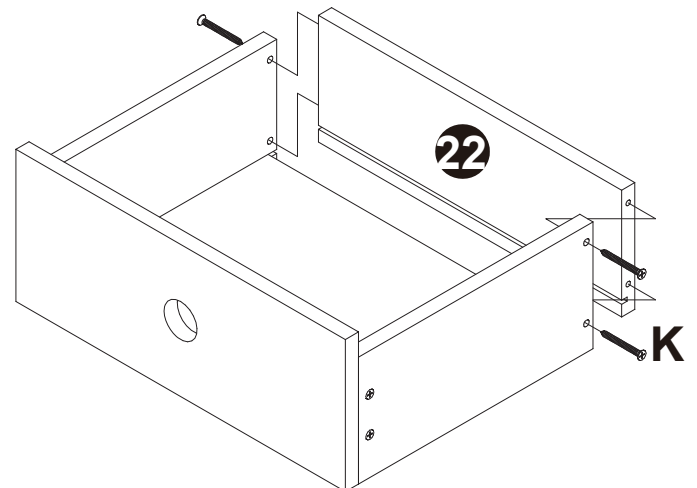
## Step 12

4 pieces



## Step 13

4 pieces





**Step 14**

