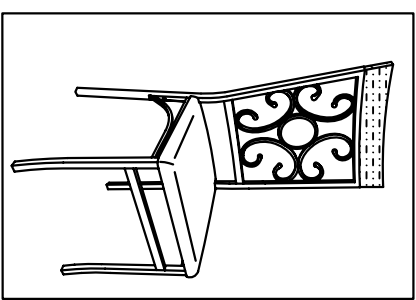
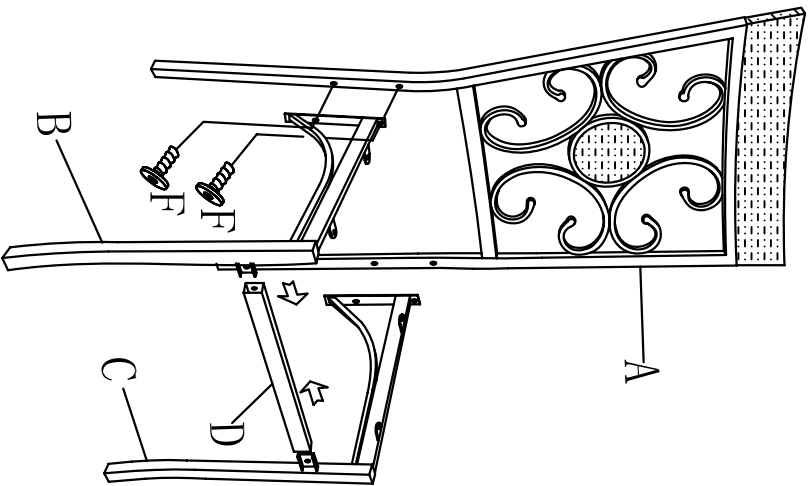


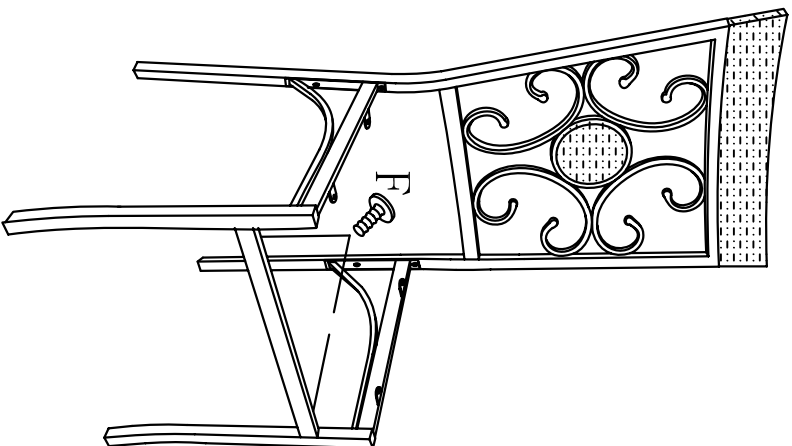
Assembly Instructions



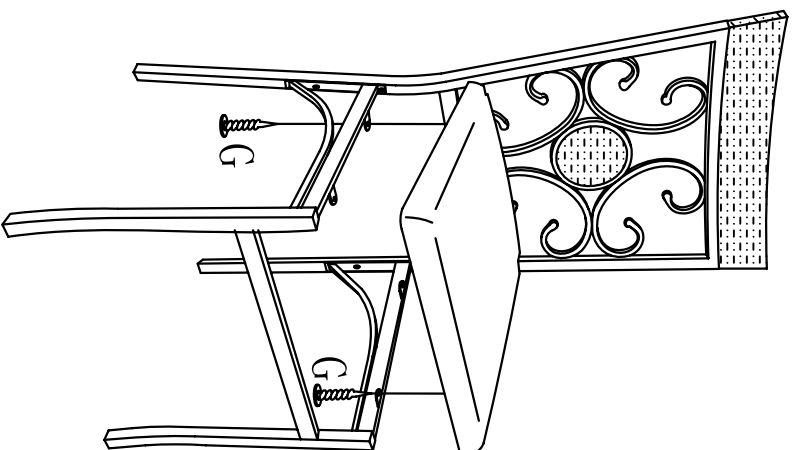
STEP 1











STEP 2



STEP 3



A		1 PC
B		1 PC
C		1 PC
D		1 PC
E		1 PC
F		6PCS
G		4PCS
H		1 PC