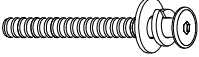
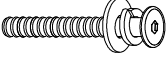
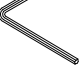


ASSEMBLY INSTRUCTIONS

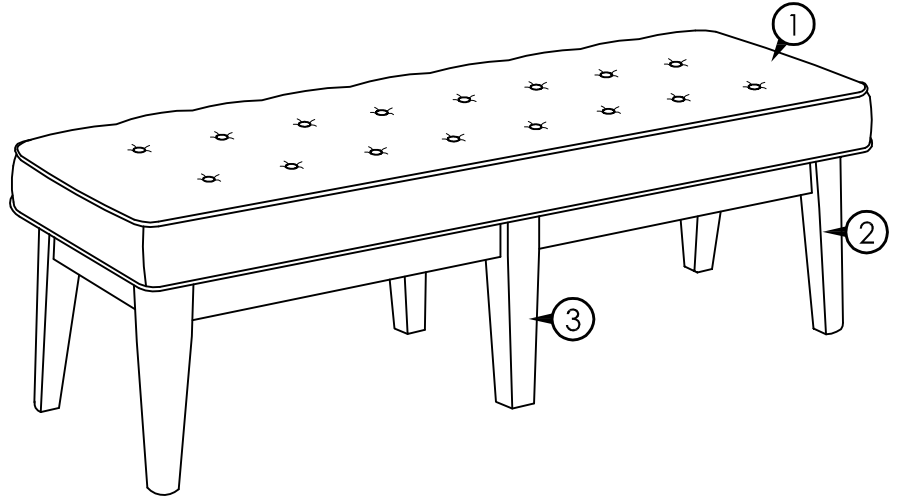
MODEL : WM1623-BE

IMPORTANT NOTE :

- * PLACE ALL WOODEN PARTS ON A CLEAN AND SMOOTH SURFACE SUCH AS A RUG OR CARPET TO AVOID THE PARTS FROM BEING SCRATCHED.
- * BEFORE YOU BEGIN, KINDLY FOLLOW THE ASSEMBLY INSTRUCTIONS STEP BY STEP.

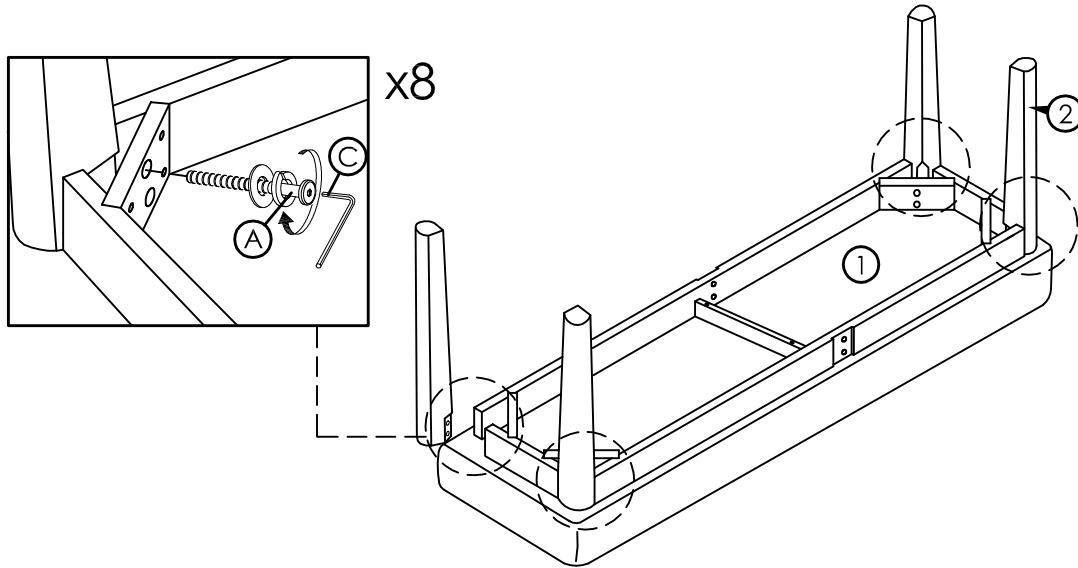
HARDWARE LIST		
A	JCBC M6 x 60mm + S/W M6 + F/W M6 x 19mm 	8PCS
B	JCBC M6 x 40mm + S/W M6 + F/W M6 x 19mm 	4PCS
C	ALLEN KEY M4 	1PC

PART LIST		
1	BENCH TOP	1PC
2	BENCH LEG	4PCS
3	BENCH LEG CENTER	2PCS



COMPLETED BENCH ASSEMBLY.

STEP 1



STEP 2

