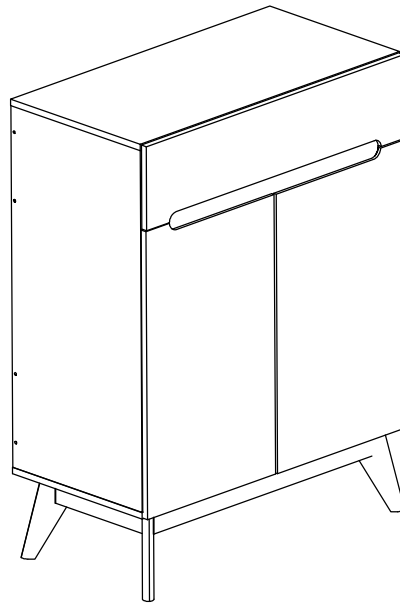
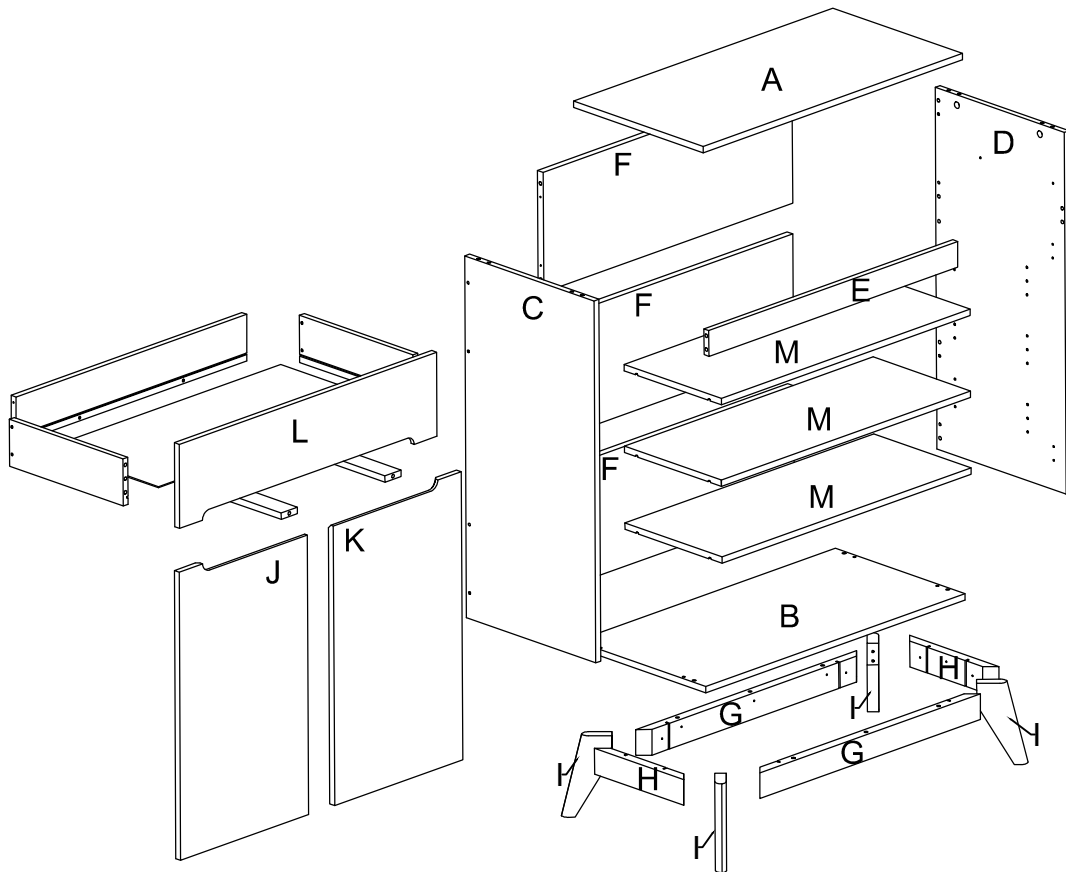


Assembly Instruction

Model : WI7503


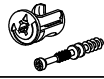


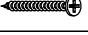



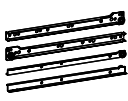



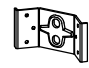
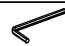

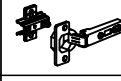
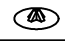

PART LIST



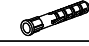
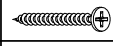



Assembly Instruction

Hardware List

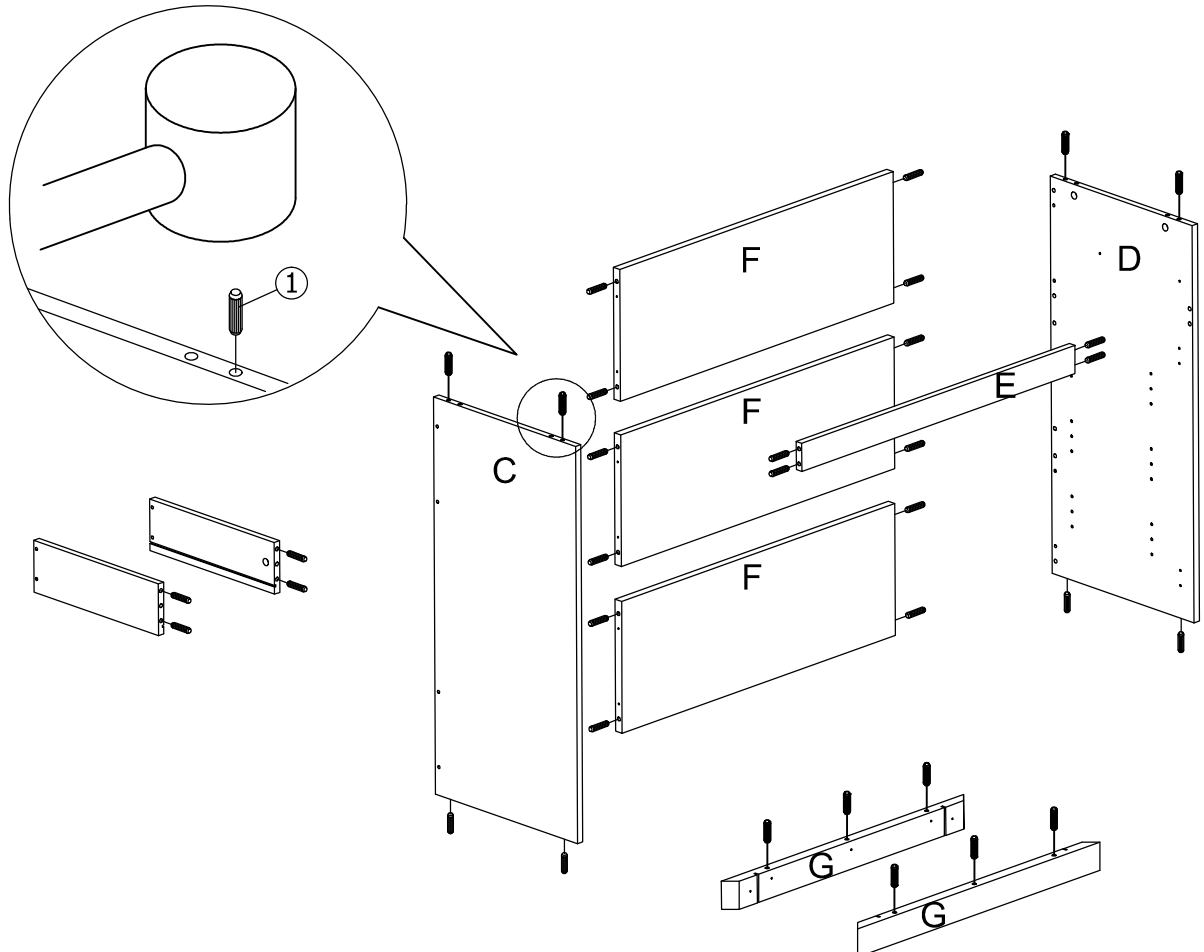
No.	SHAPE	DESCRIPTION	Qty.
1		8x25mm Wood Dowel	34Pcs
2		15MM Myfix Minifix	8Sets
3		M5x8mm Screw (Euro Screw)	4Pcs
4		M3.5x15mm Screw	50Pcs
5		M4x38mm Screw	18Pcs
6		Jcbc 'W' M6 x 40mm	8Pcs
7		L Bracket	10Pcs
8		Nail Leg	4Pcs
9		Metal Drawer Slide 12" (300mm)	1Set
10		Minifix Cap	2Pcs

11		Metal Corner Bracket	4Pcs
12		L Key	1Pc
13		TP10#x1/2" Screw	16Pcs
14		Hinger (F011)	4Pcs
15		Screw Cap	8Pcs
16		Shelf Support	12Pcs

Packing Tipping Restraint

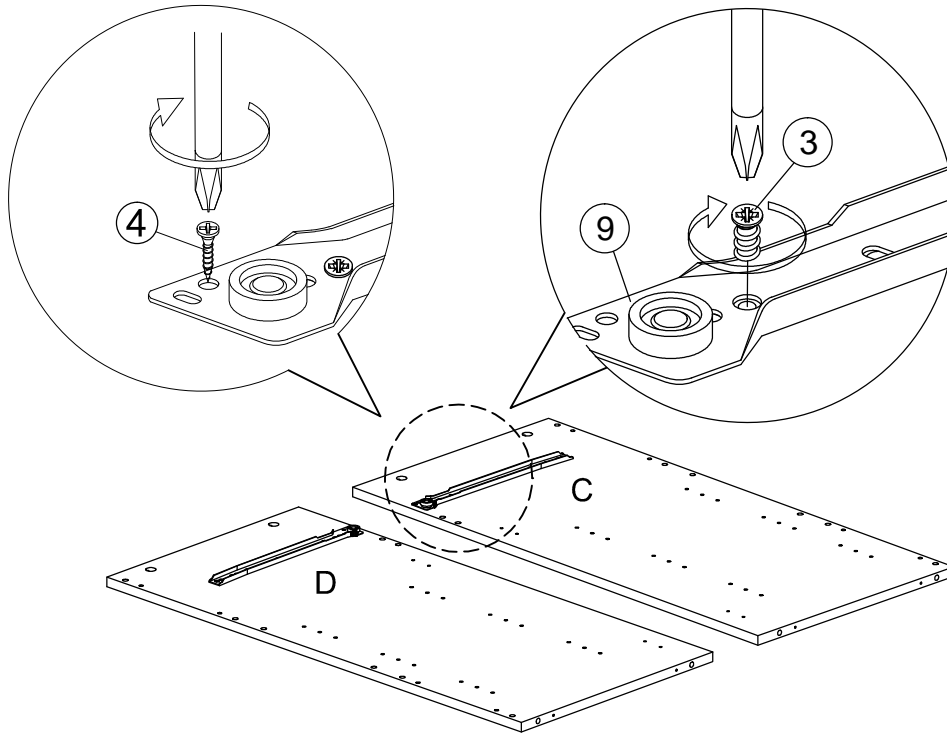
17		Wall Plug	2Pcs
18		M4x30mm Screw	2Pcs
19		Safety Strap	2Pcs
20		Flat Washer 6x19x2mm	4Pcs
21		M3.5x15mm Screw	2Pcs

STEP 1

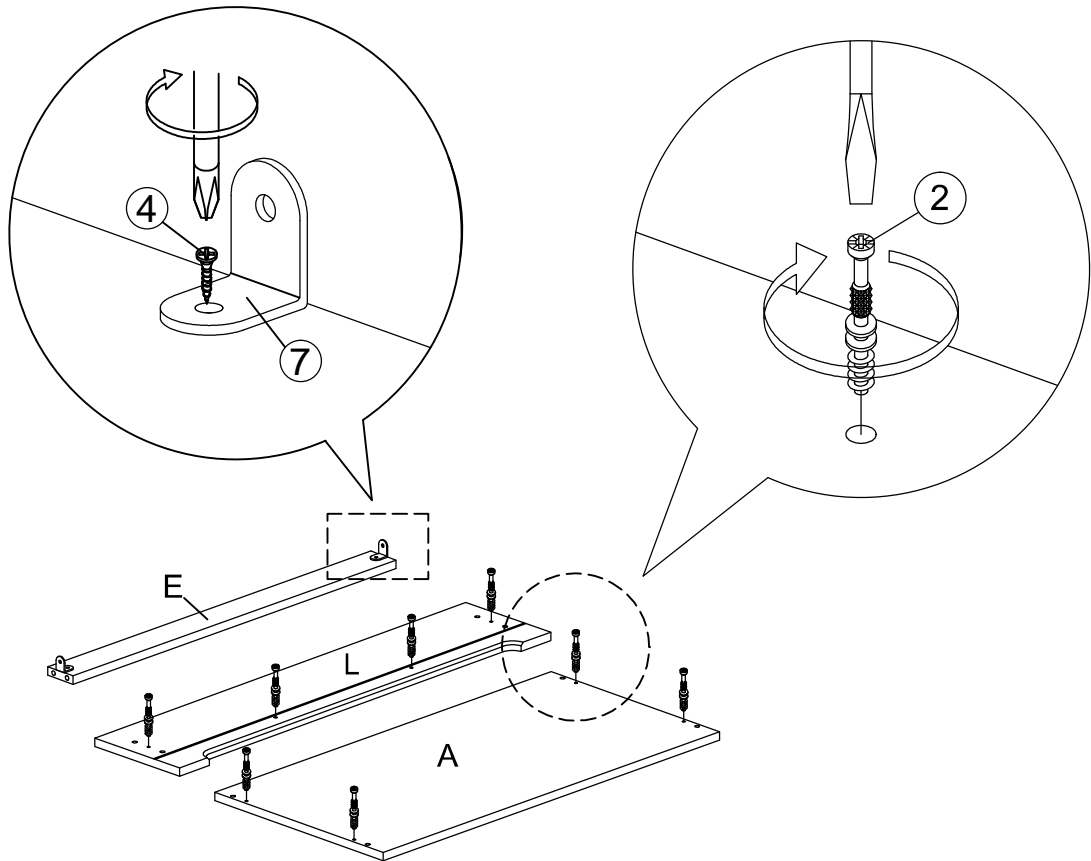


Assembly Instruction

STEP 2

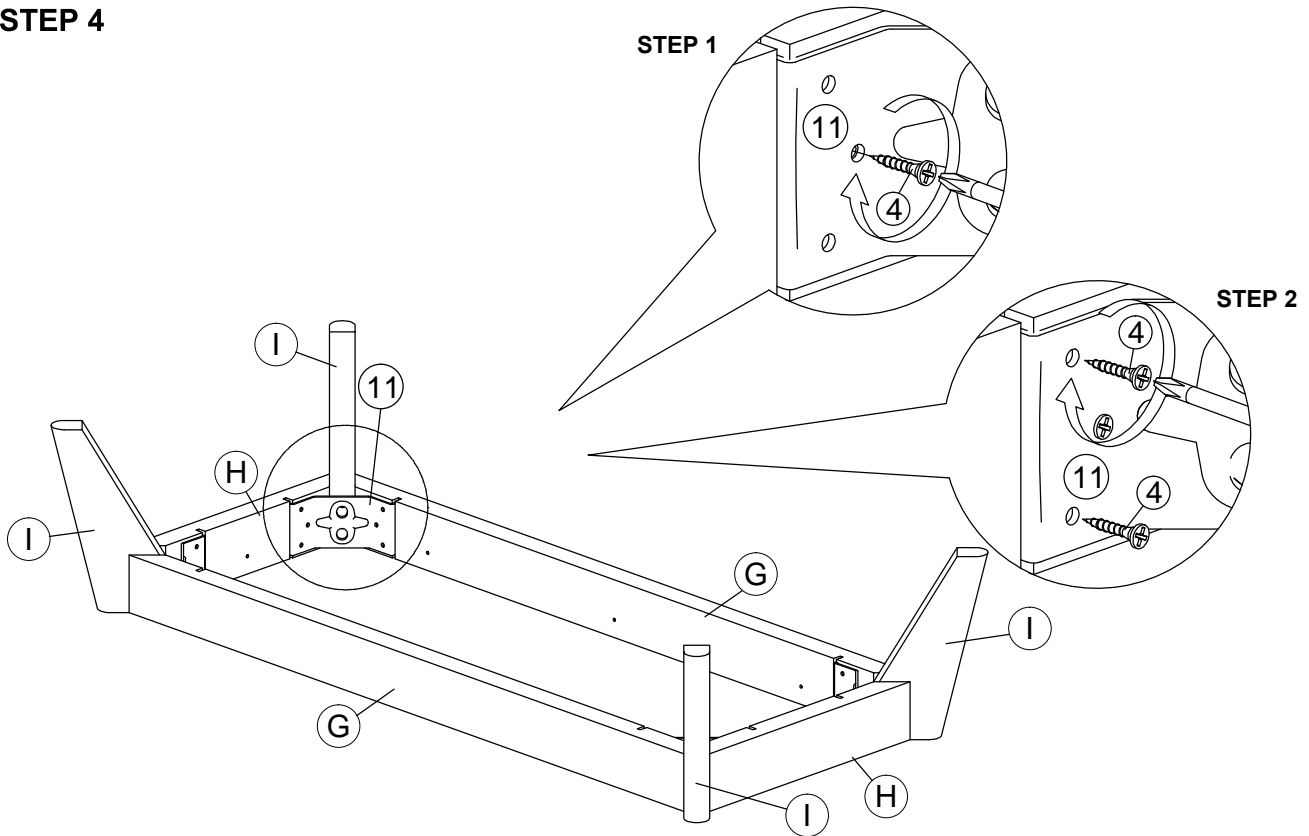


STEP 3

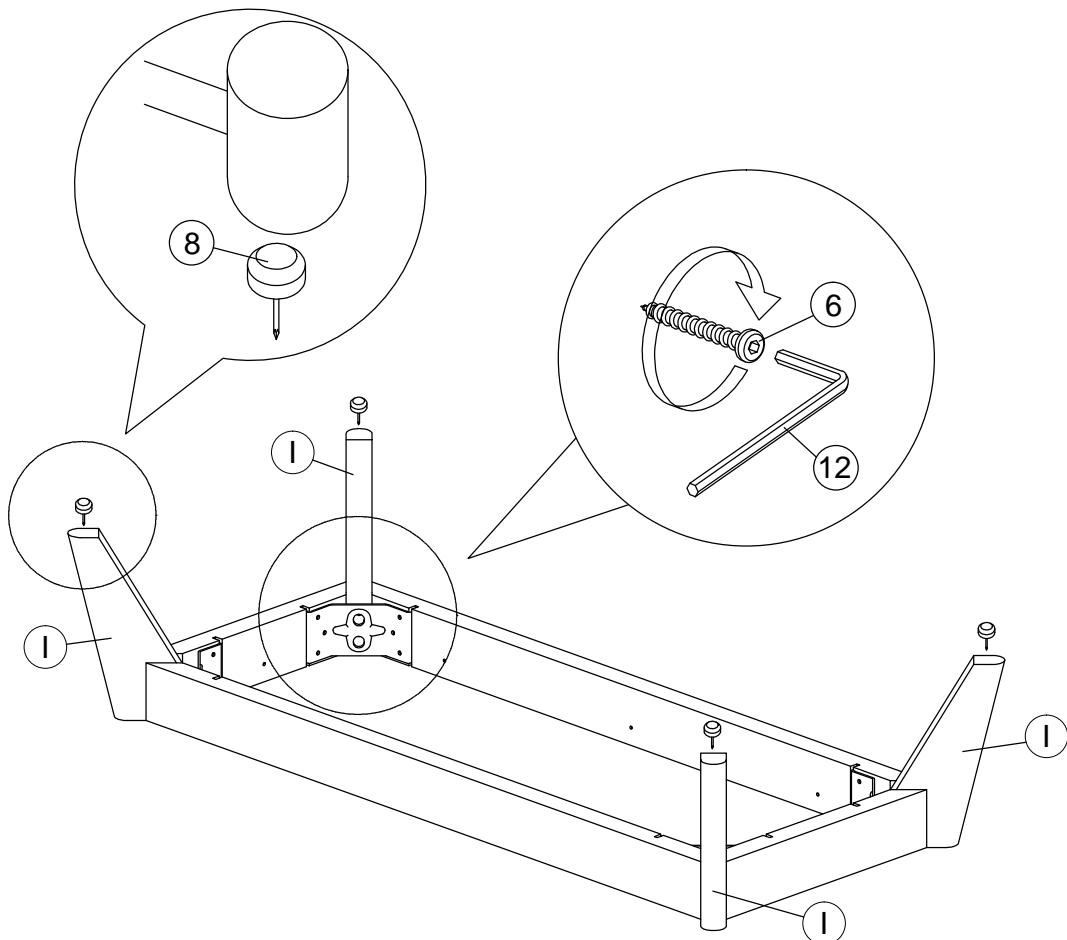


Assembly Instruction

STEP 4

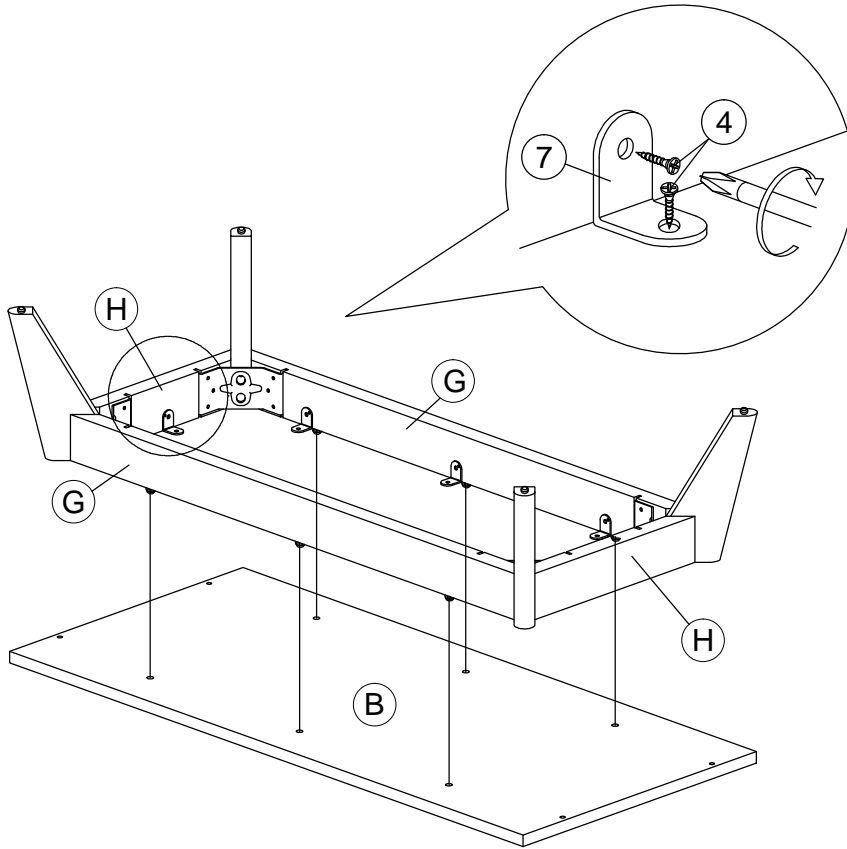


STEP 5

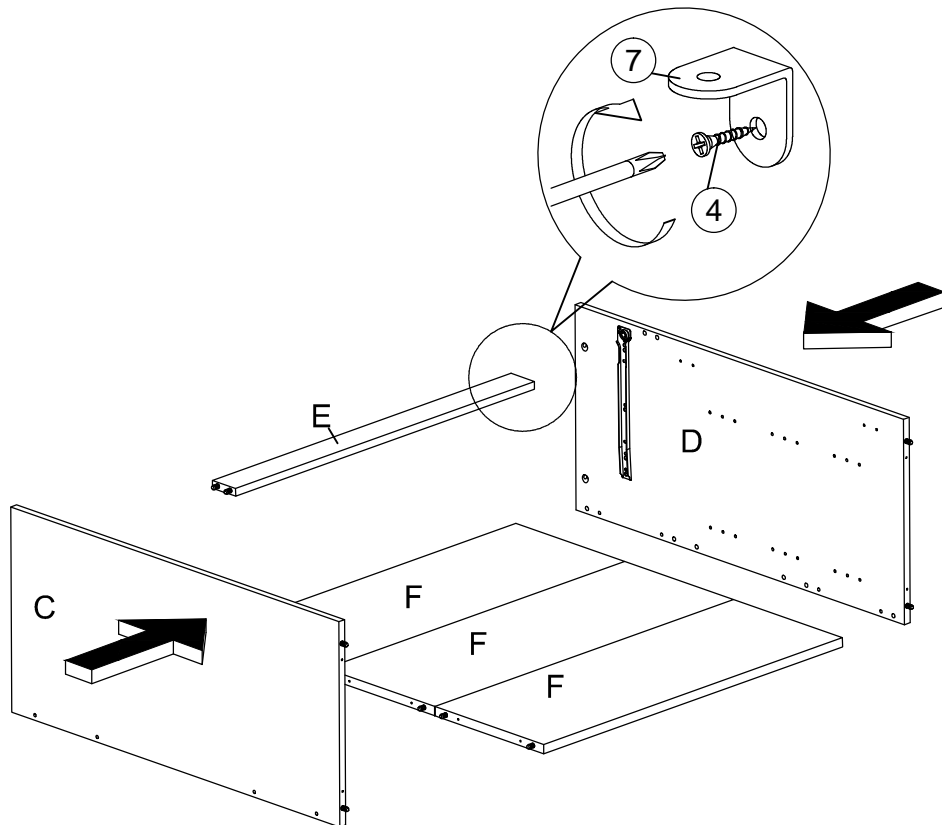


Assembly Instruction

STEP 6

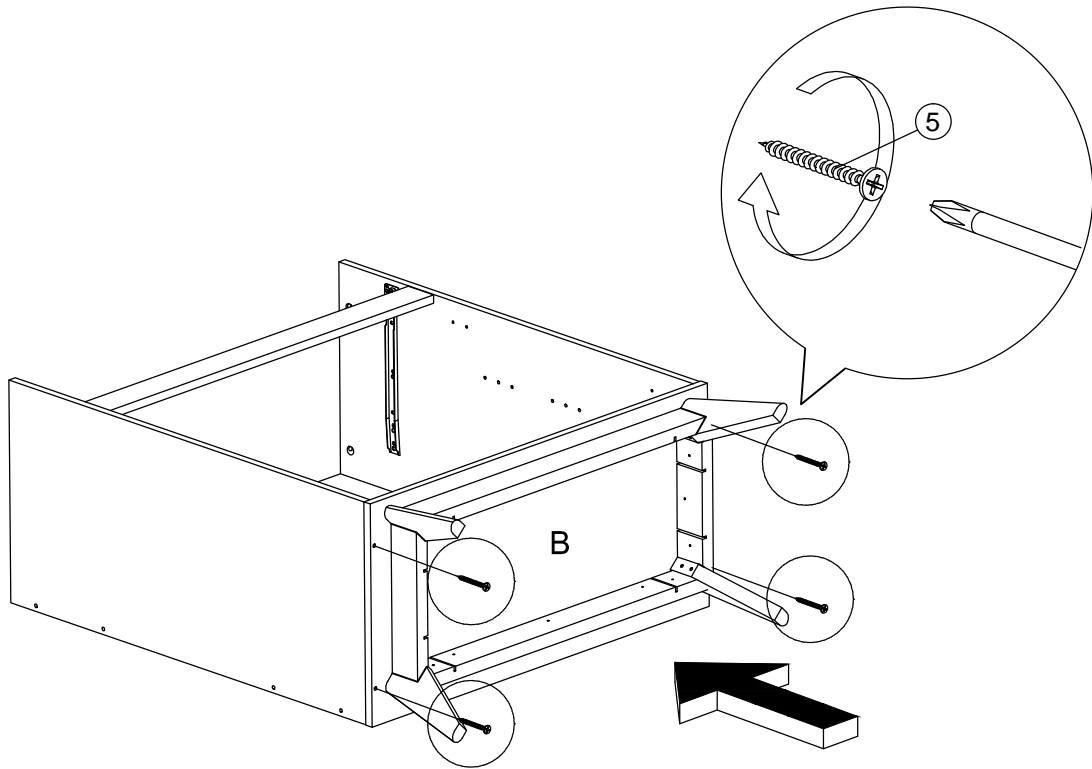


STEP 7

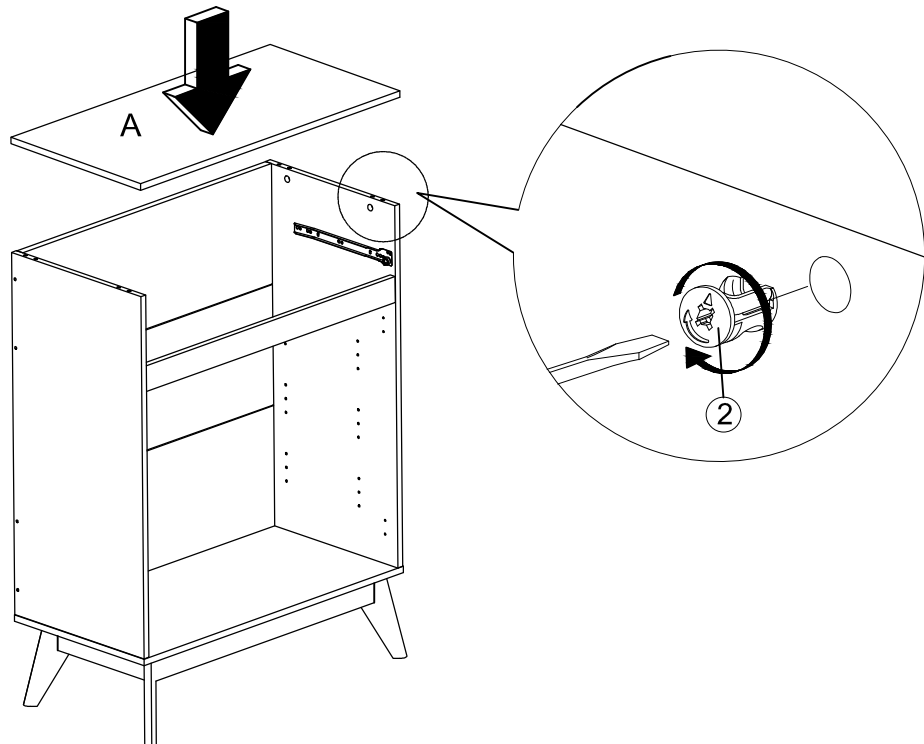


Assembly Instruction

STEP 8

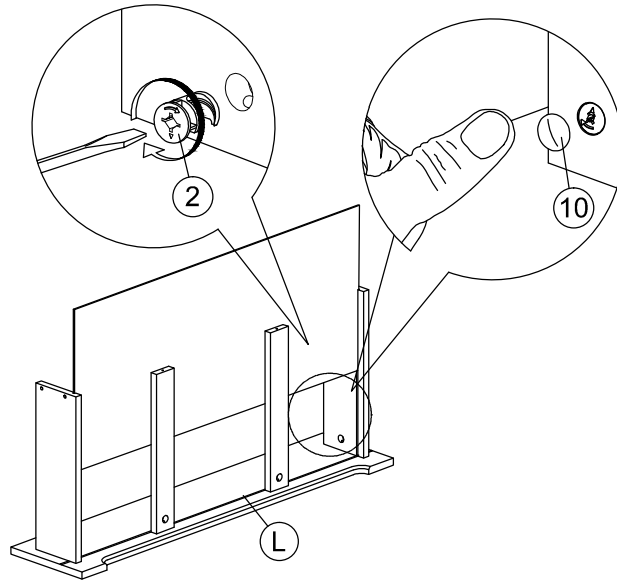


STEP 9

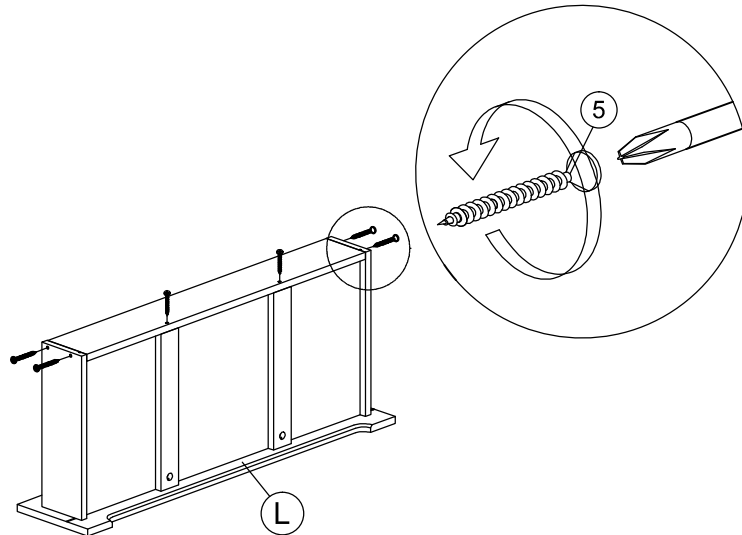


Assembly Instruction

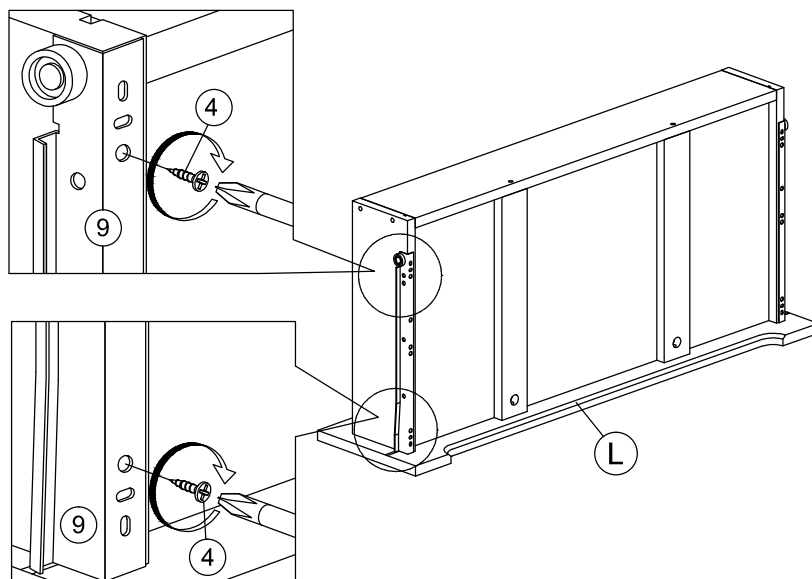
STEP 10



STEP 11

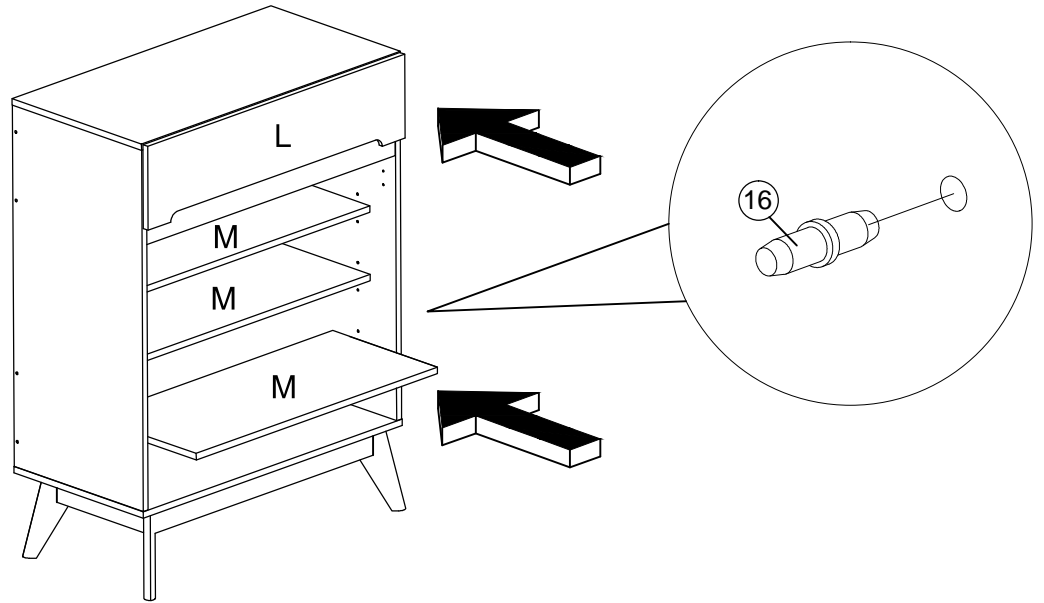


STEP 12

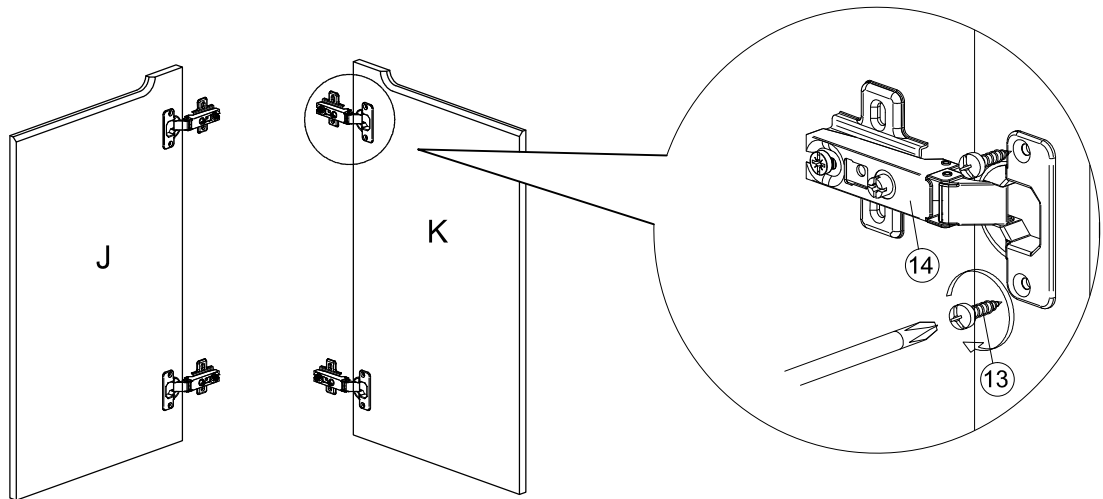


Assembly Instruction

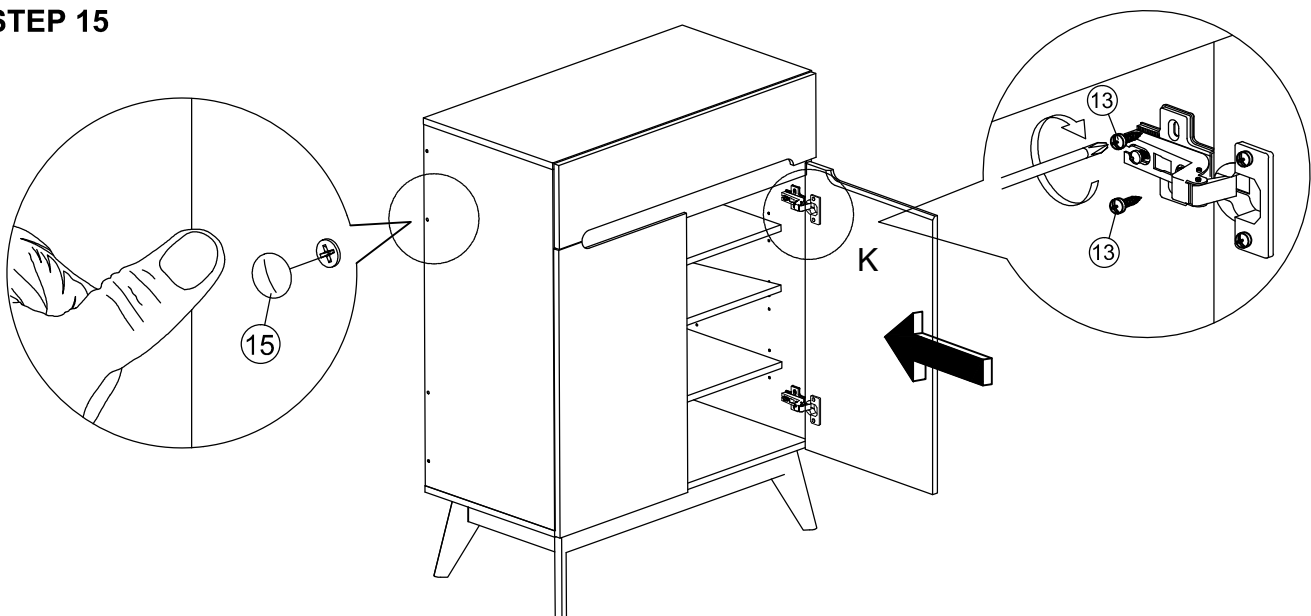
STEP 13



STEP 14

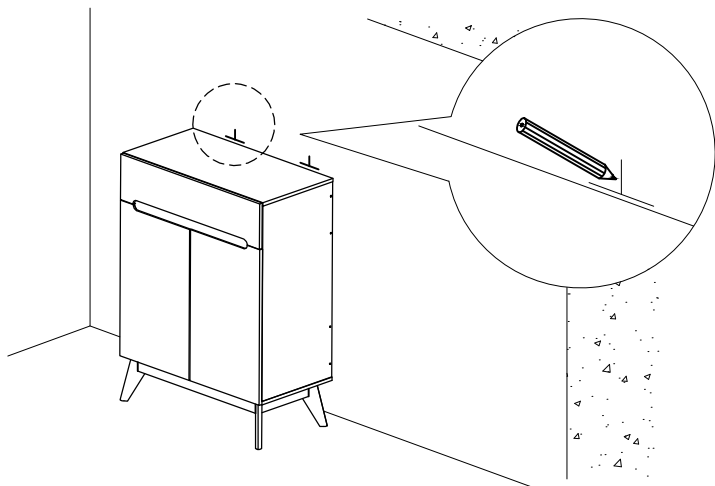


STEP 15

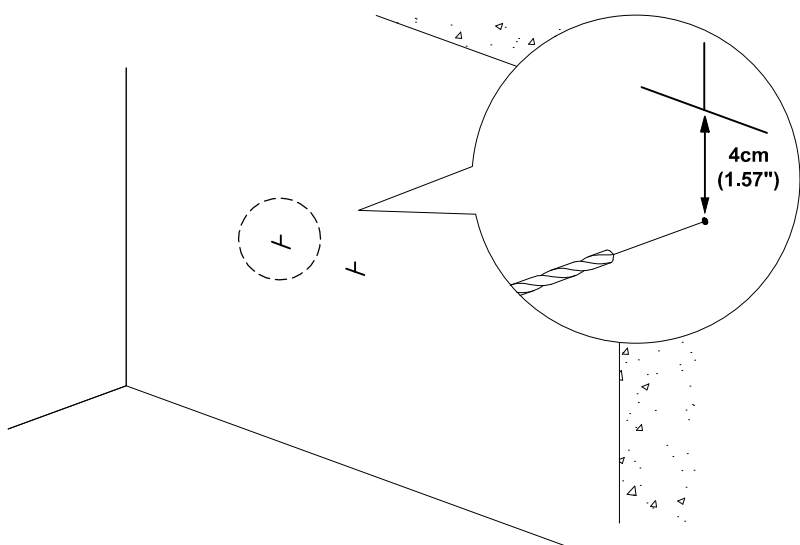


FURNITURE TIPPING RESTRAINT

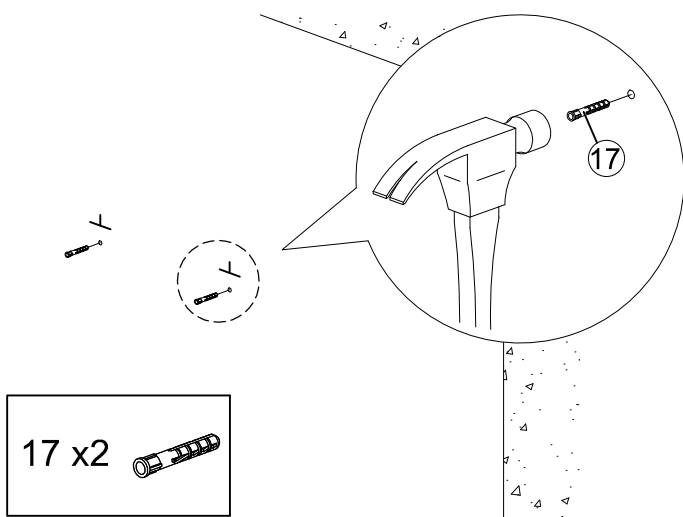
1. First mark the wall with pencil as in diagram.



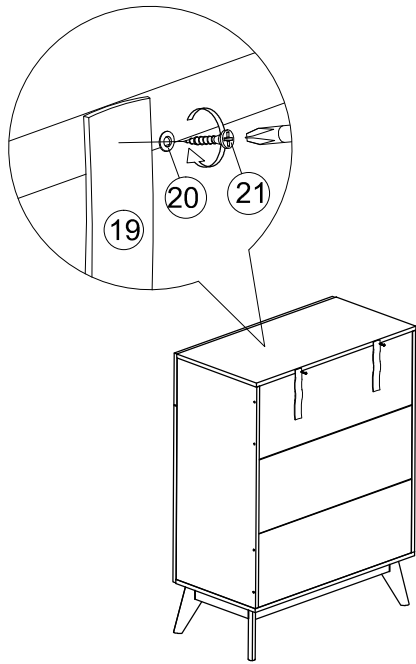
2. Drill small hole at the pencil mark.



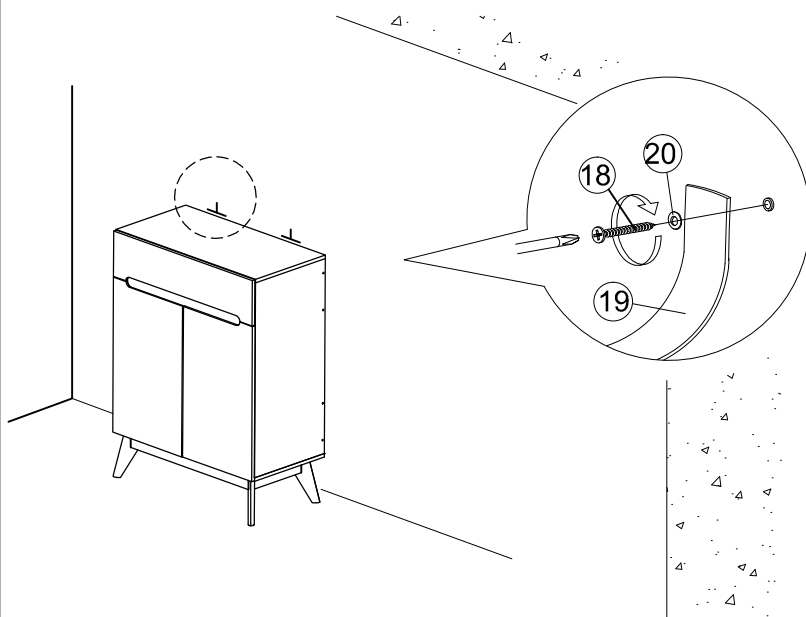
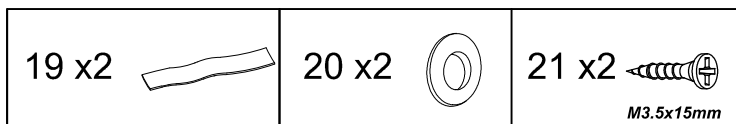
3. Insert plastic wall plug (17).



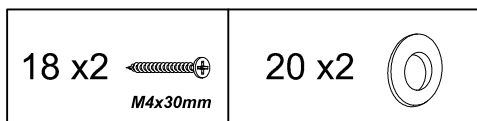
FURNITURE TIPPING RESTRAINT

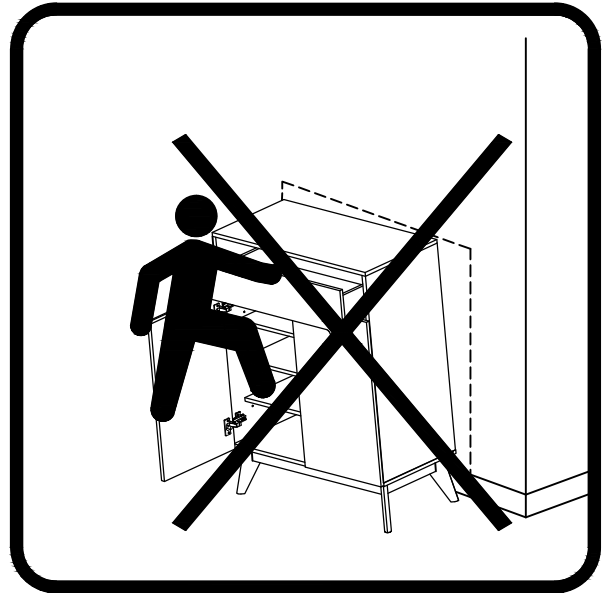
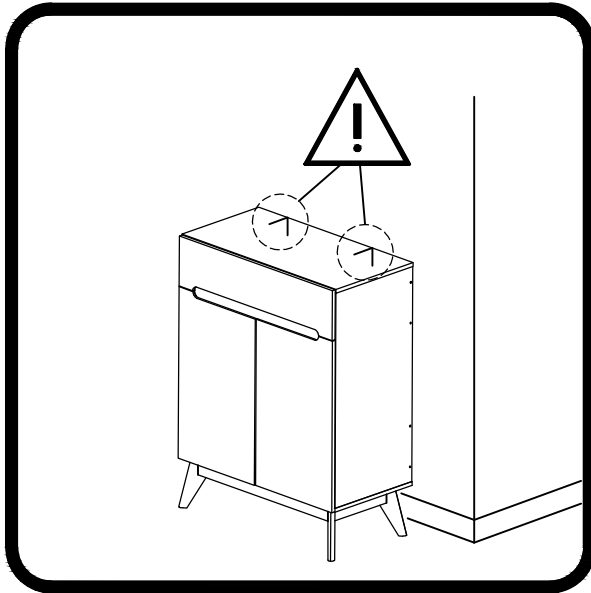


4. Add safety strap (19), washer (20) using 3.5x15mm screw (21) to back of cabinet.



5. Finally, attach safety strap (19) and washer (20) using 4x30mm screw (18) to the wall.





⚠ WARNING	
	<p>Serious or fatal crushing injuries can occur from furniture tip-over. To help prevent tip-over:</p> <ul style="list-style-type: none"> • Install tipover restraint provided. • Place heaviest items in the lowest drawers. • Do not set TV's or other heavy objects on top of this product, unless the product is specifically designed to accommodate them. • Never allow children to climb or hang on drawers, doors, or shelves. • Never open more than one drawer at a time. <p>(OR)</p> <ul style="list-style-type: none"> • Do not defeat or remove the drawer interlock system. <p>Use of tip-over restraints may only reduce, but not eliminate, the risk of tip-over.</p> <p><i>This is a permanent label. Do not remove!</i></p>



Anti-Topple hardware included for added safety and stability