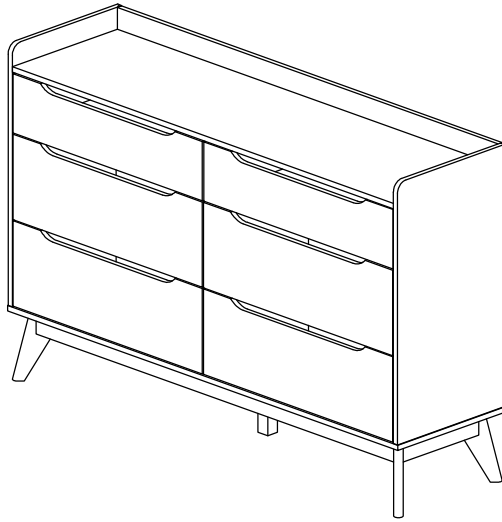
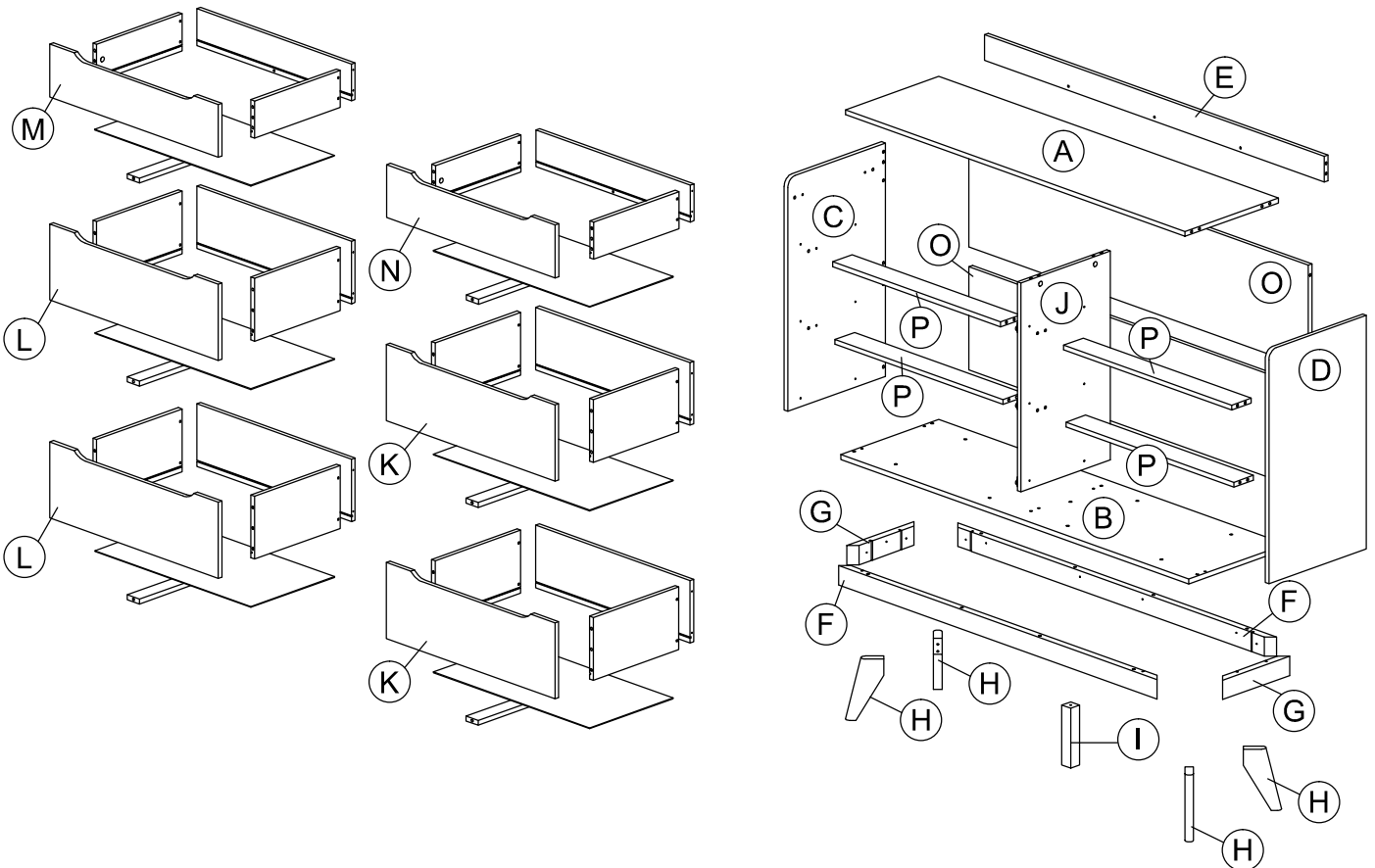


# Assembly Instruction

Model : WI7496




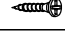







## PART LIST







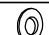
# Assembly Instruction

## Hardware List

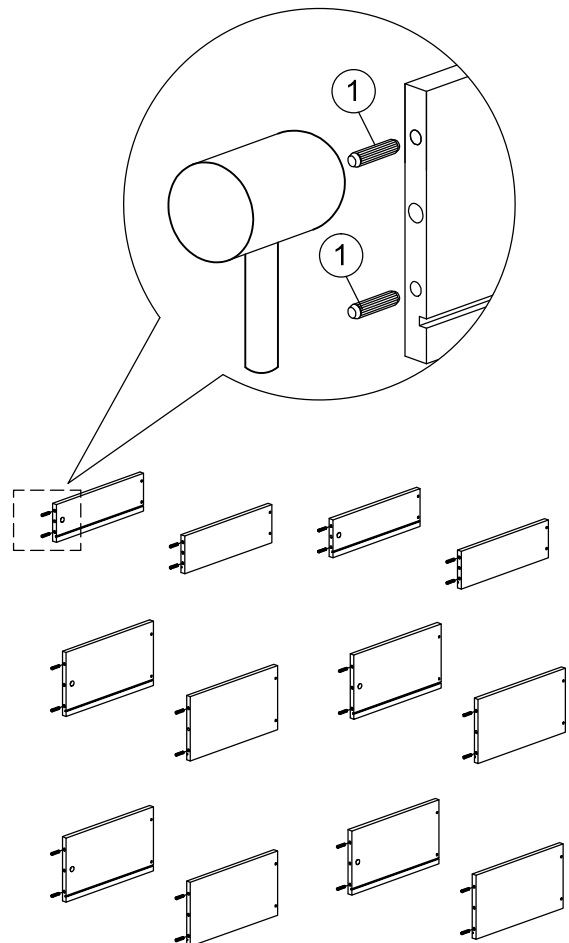
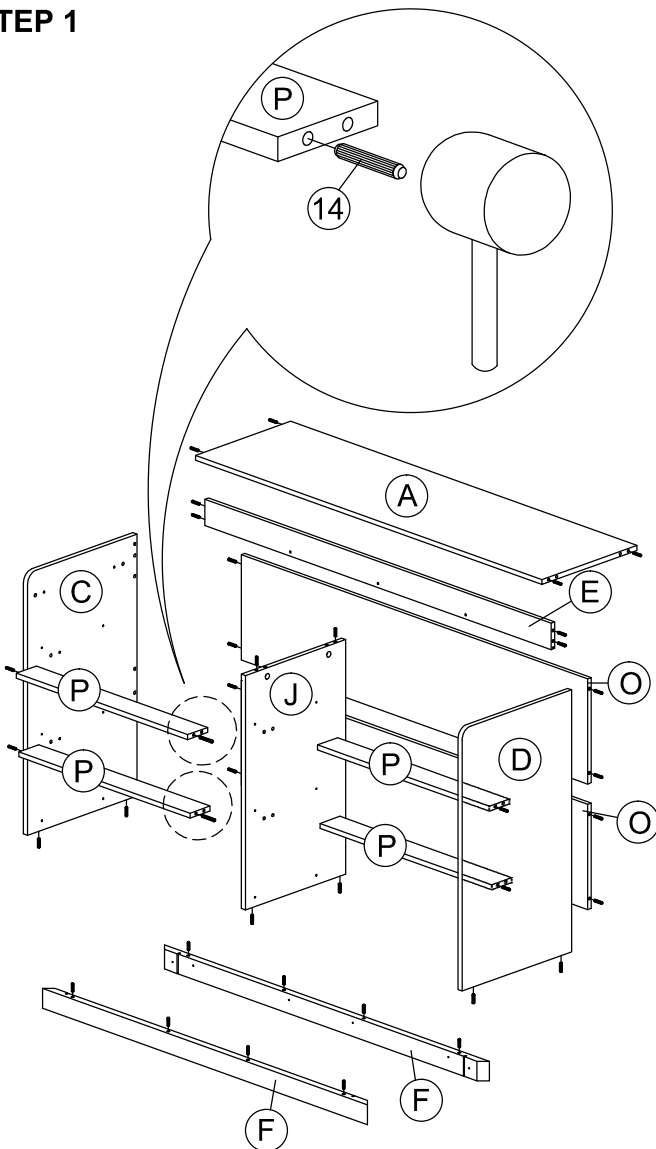
No.	SHAPE	DESCRIPTION	Qty.
1		<b>8x25mm Wood Dowel</b>	60Pcs
2		<b>15MM Myfix Minifix</b>	28Sets
3		<b>M5x8mm Screw (Euro Screw)</b>	24Pcs
4		<b>M3.5x15mm Screw</b>	96Pcs
5		<b>M4x38mm Screw</b>	39Pcs
6		<b>Jcbc 'W' M6 x 40mm</b>	9Pcs
7		<b>L Bracket</b>	18Pcs
8		<b>Nail Leg</b>	4Pcs
9		<b>Metal Drawer Slide 12" (300mm)</b>	6 Sets

10		<b>Minifix Cap</b>	12Pcs
11		<b>Metal Corner Bracket</b>	4Pcs
12		<b>L Key</b>	1Pc
13		<b>Adjust Screw</b>	1Pc
14		<b>8x40mm Wood Dowel</b>	2Pcs
15		<b>15MM (DOUBLE) 63mm Myfix Minifix</b>	2Sets

## Packing Tipping Restraint

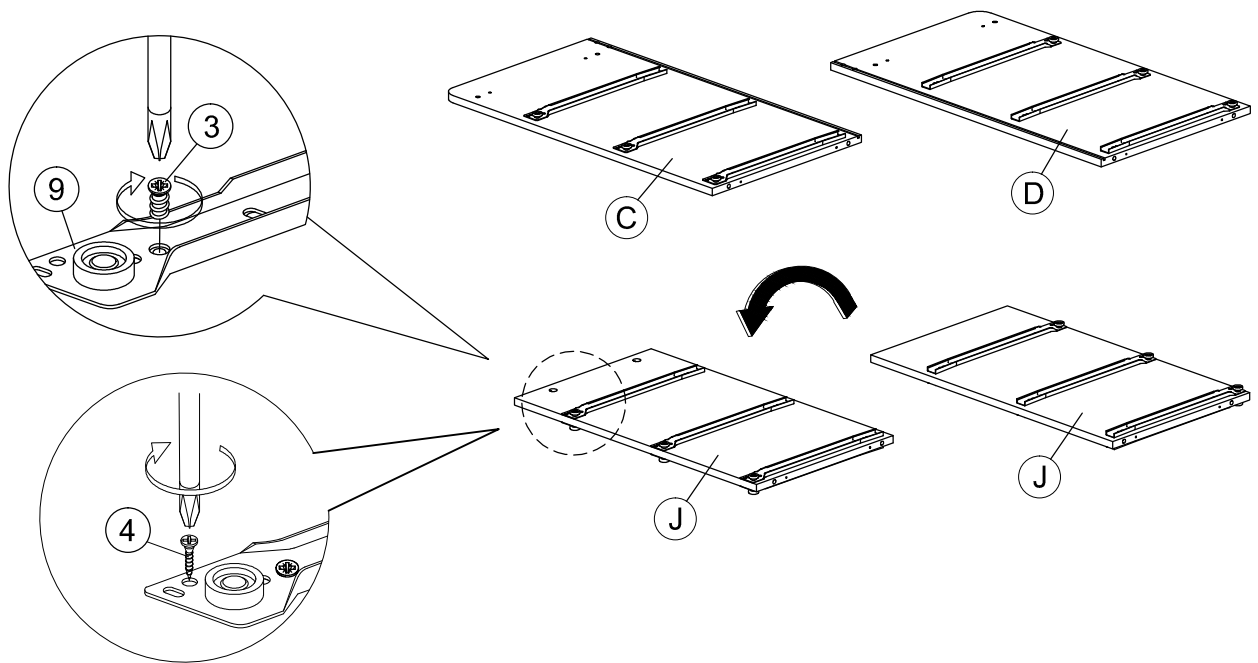
16		<b>M3.5x15mm Screw</b>	2Pcs
17		<b>Wall Plug</b>	2Pcs
18		<b>M4x30mm Screw</b>	2Pcs
19		<b>Safety Strap</b>	2Pcs
20		<b>Flat Washer 6x19x2mm</b>	4Pcs

## STEP 1

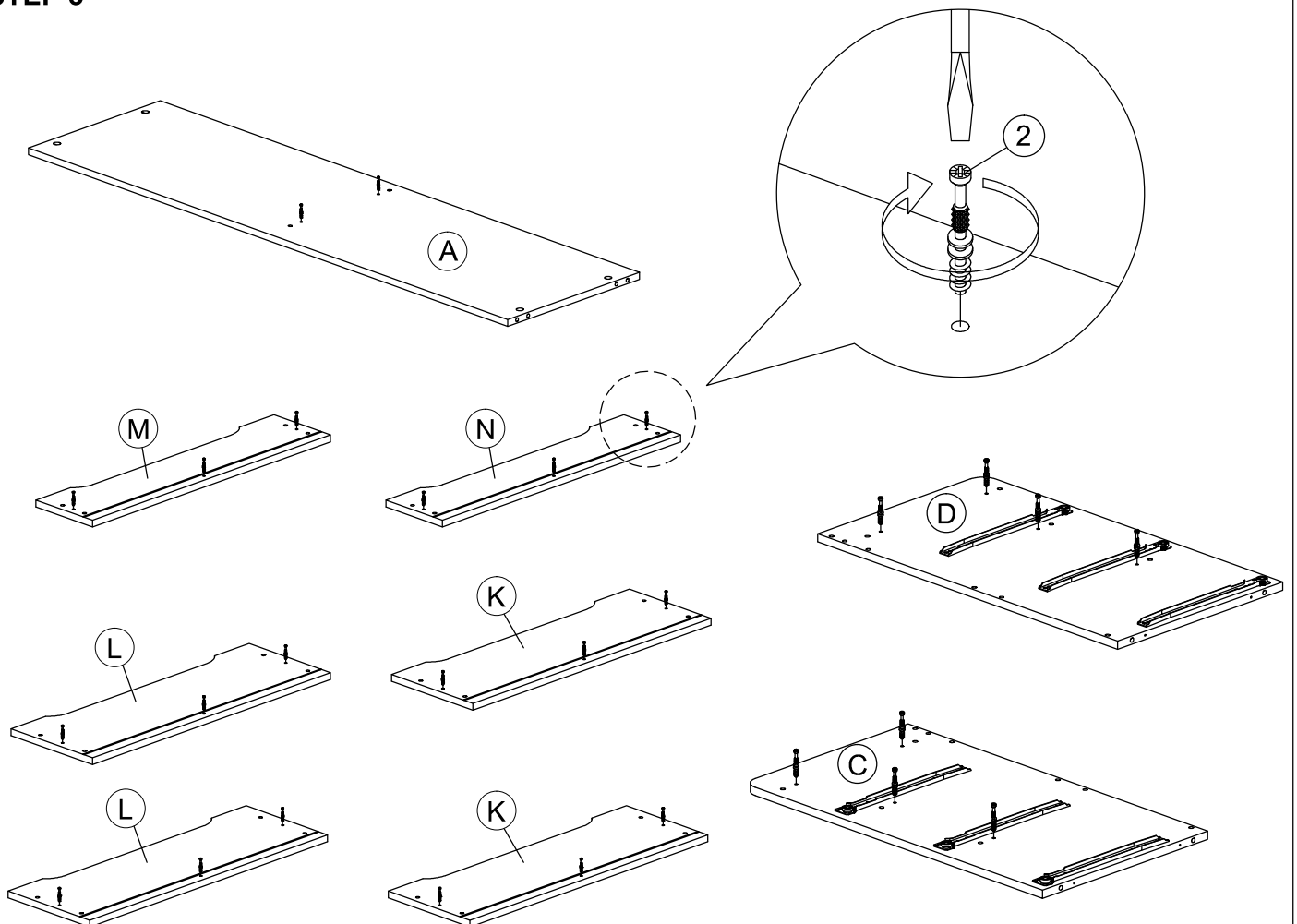


# Assembly Instruction

## STEP 2

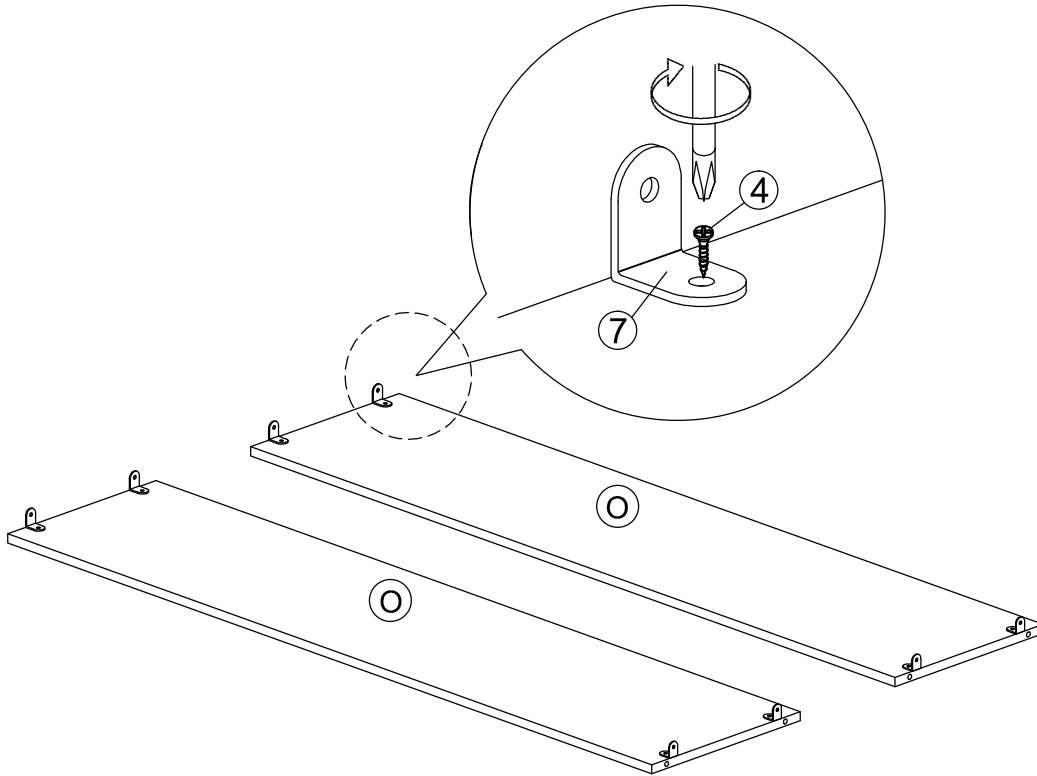


## STEP 3

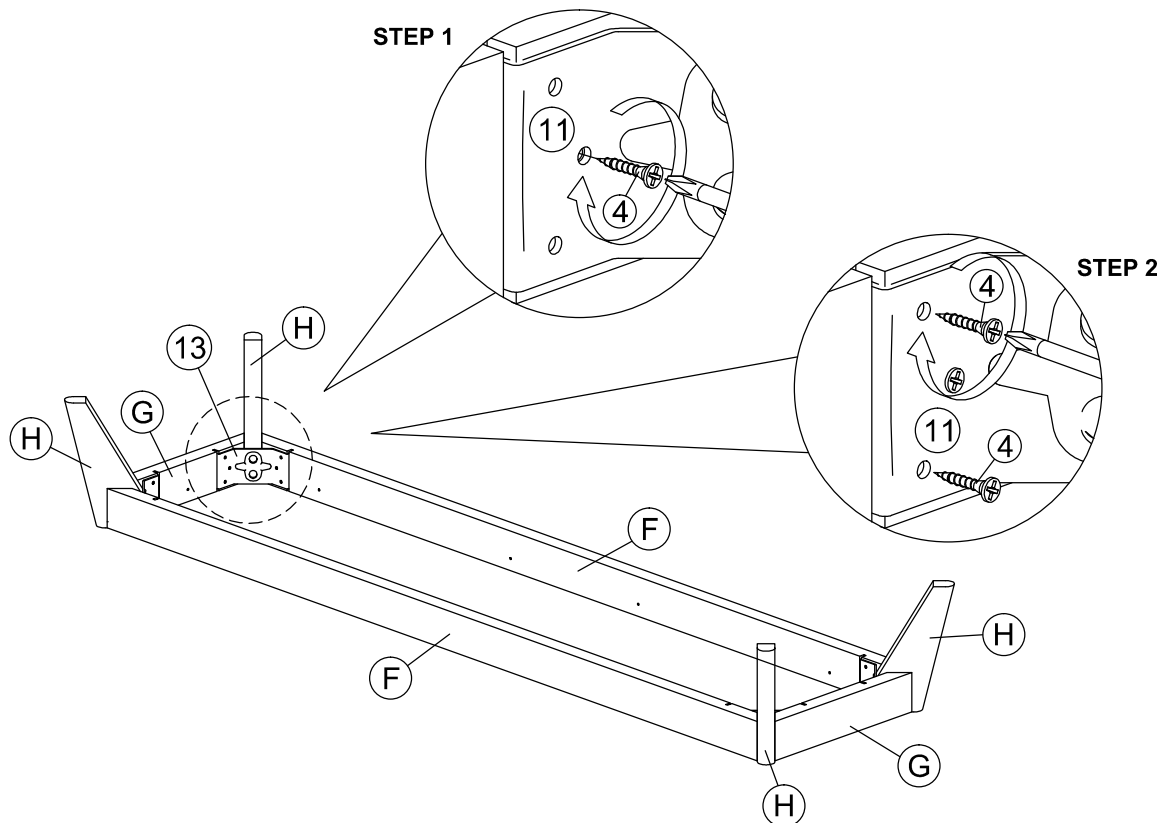


# Assembly Instruction

## STEP 4

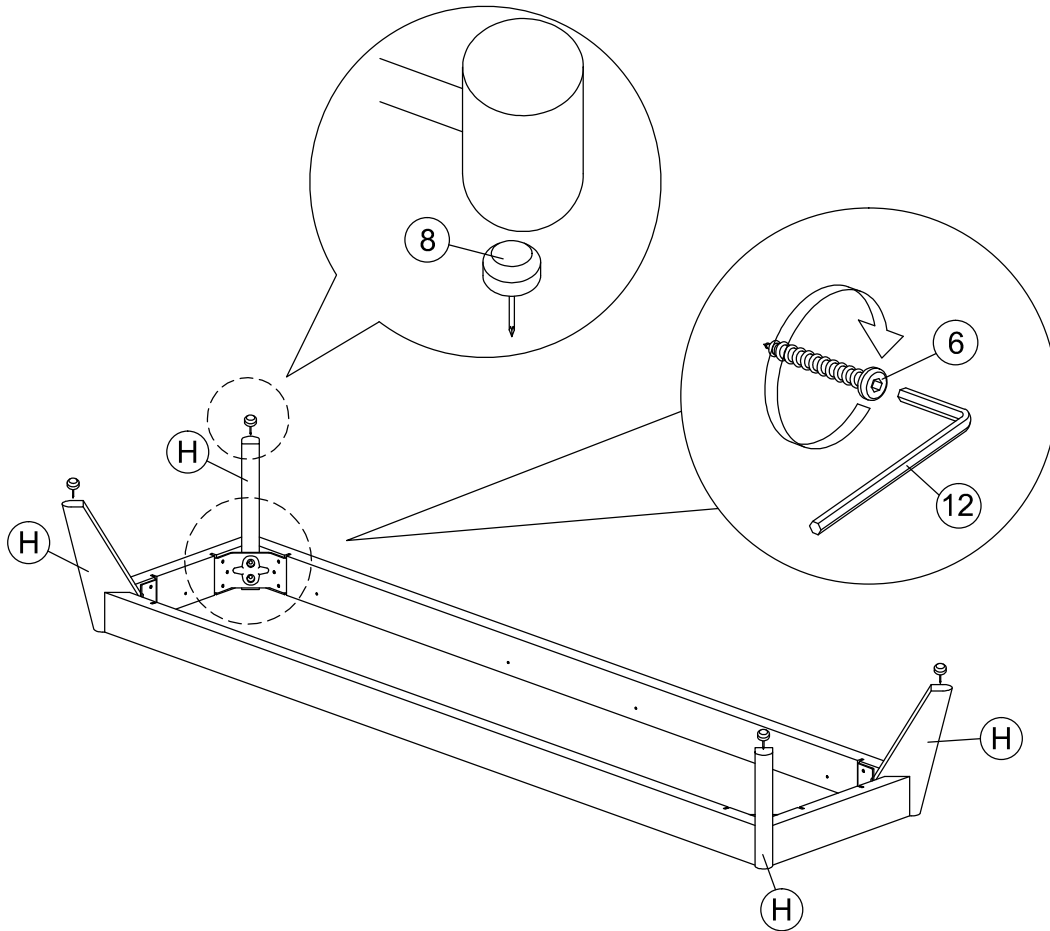


## STEP 5

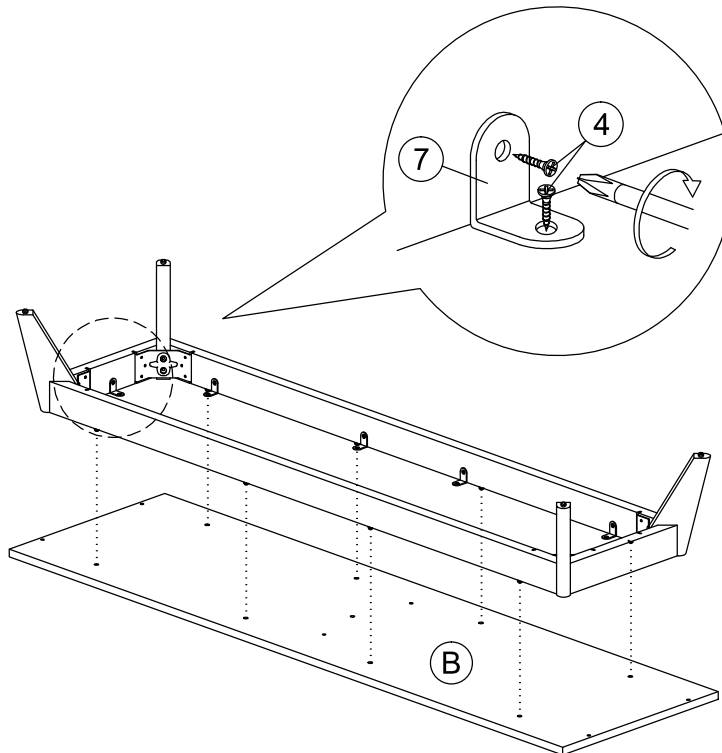


# Assembly Instruction

## STEP 6

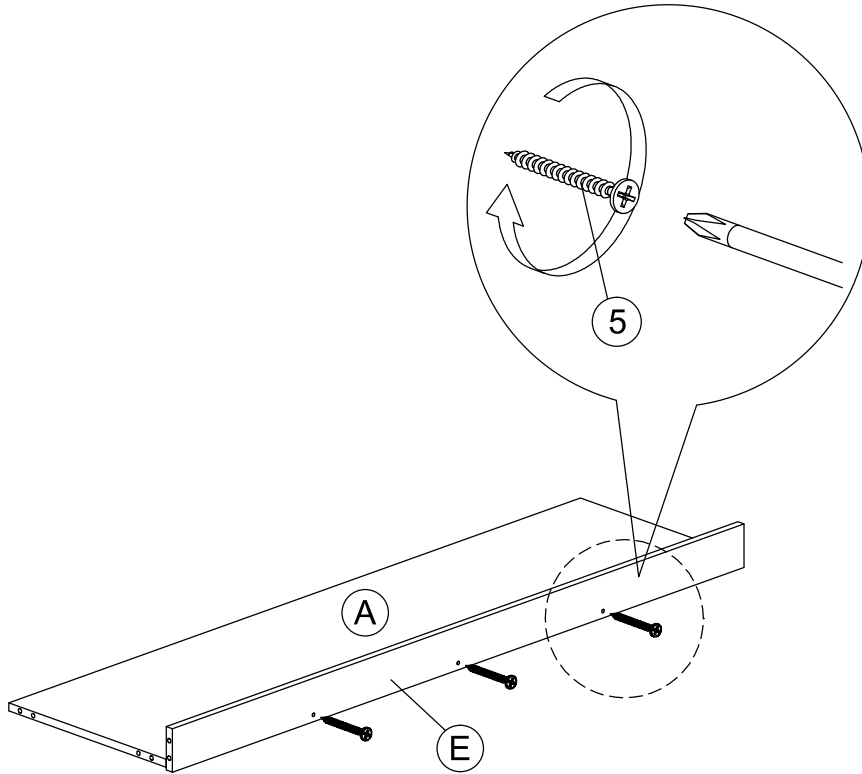


## STEP 7

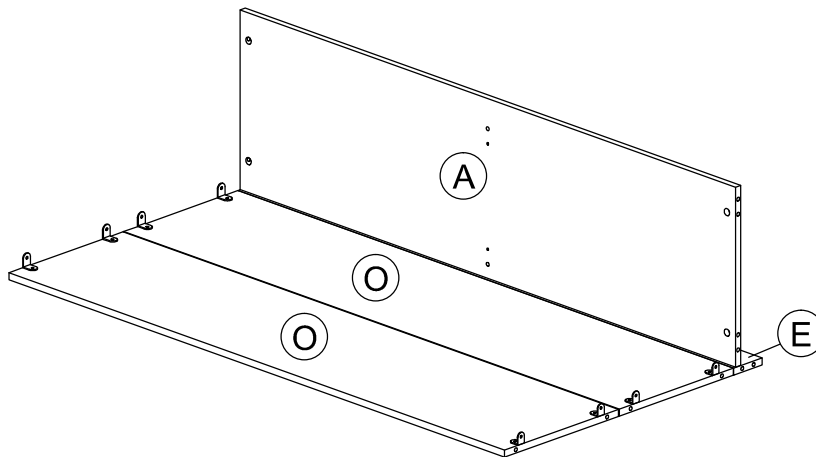


# Assembly Instruction

## STEP 8

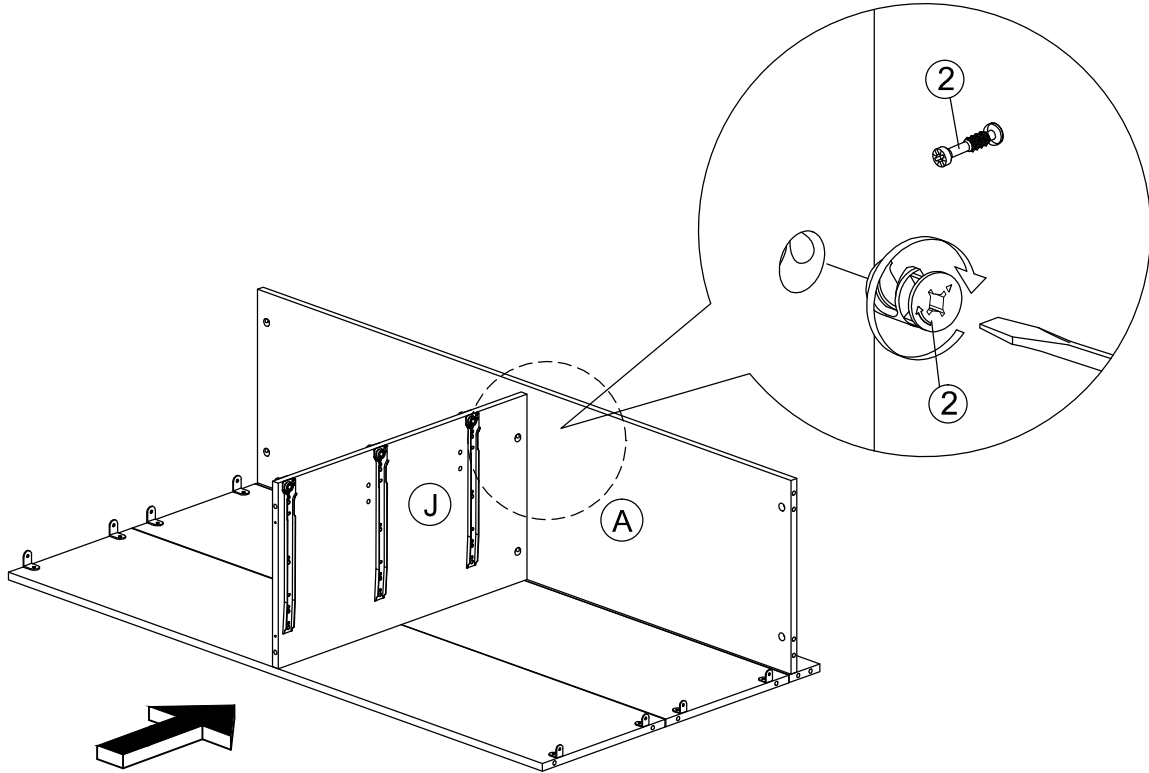


## STEP 9

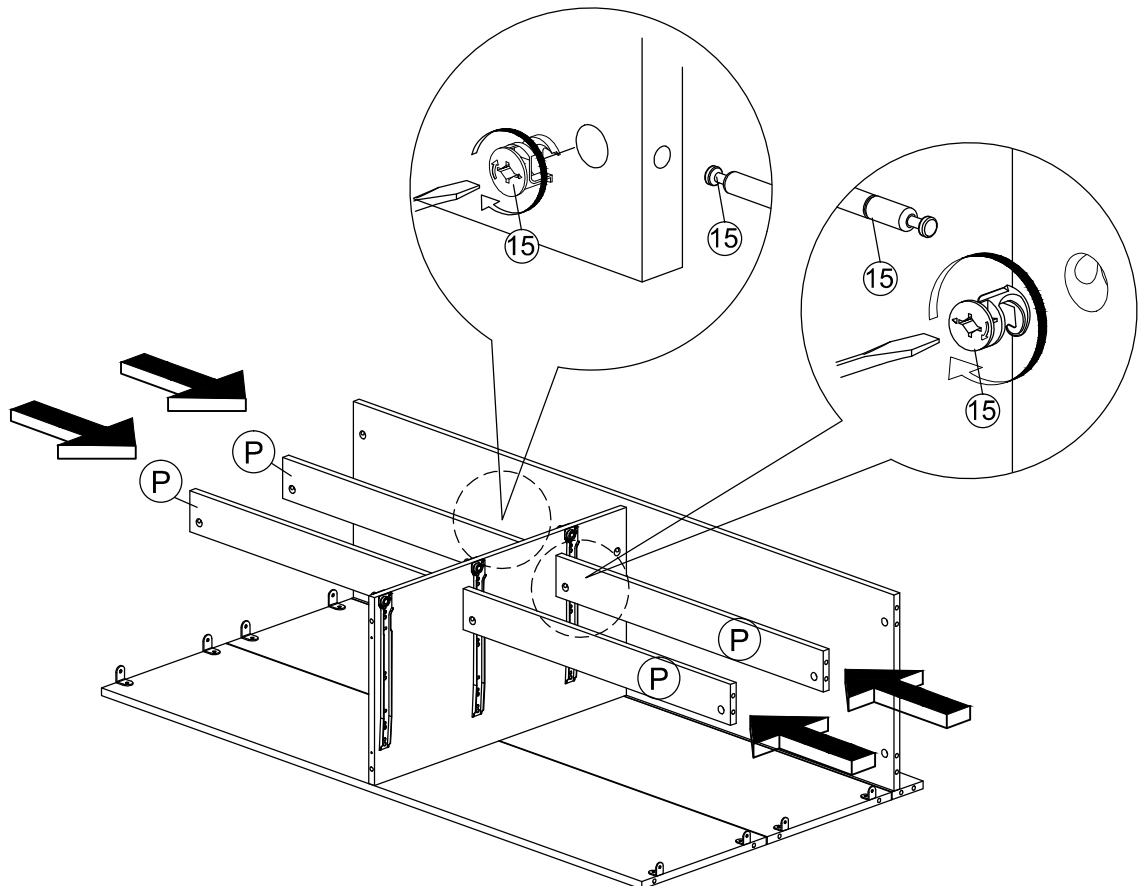


# Assembly Instruction

## STEP 10

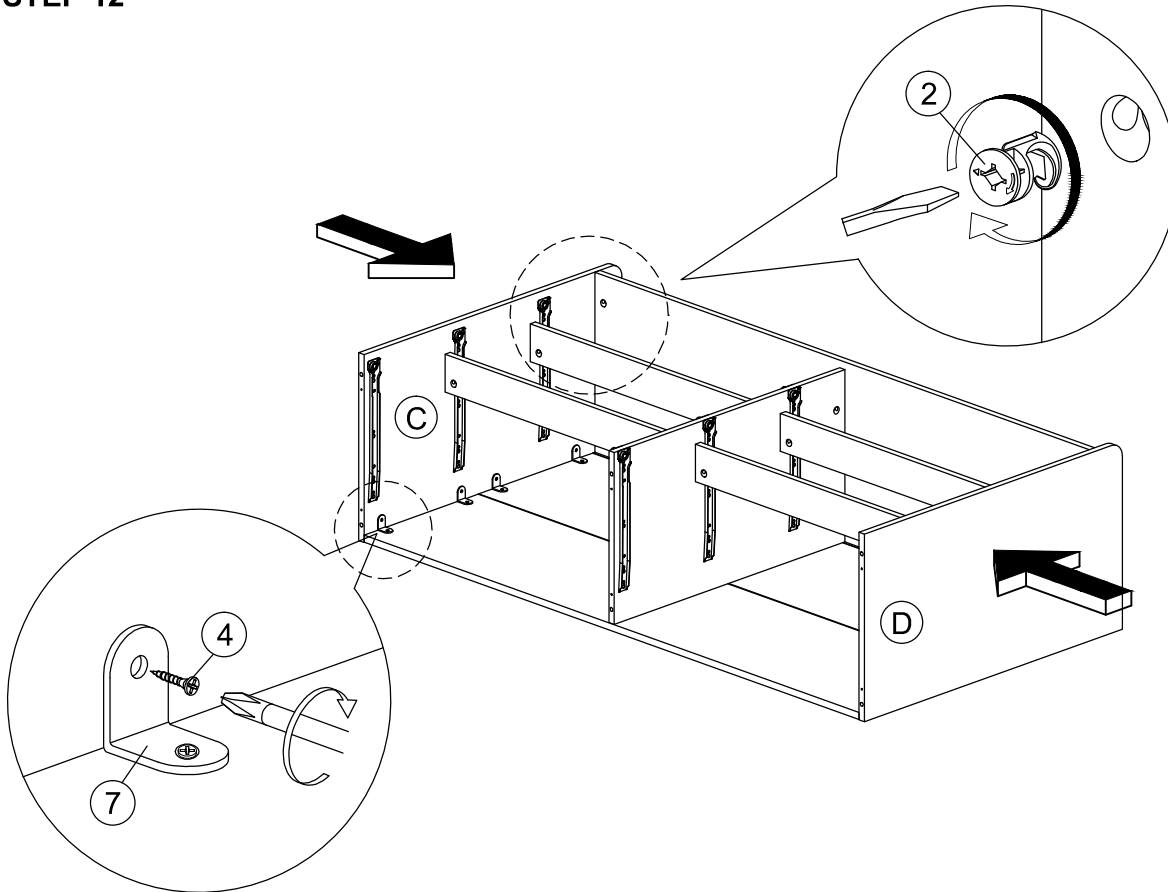


## STEP 11

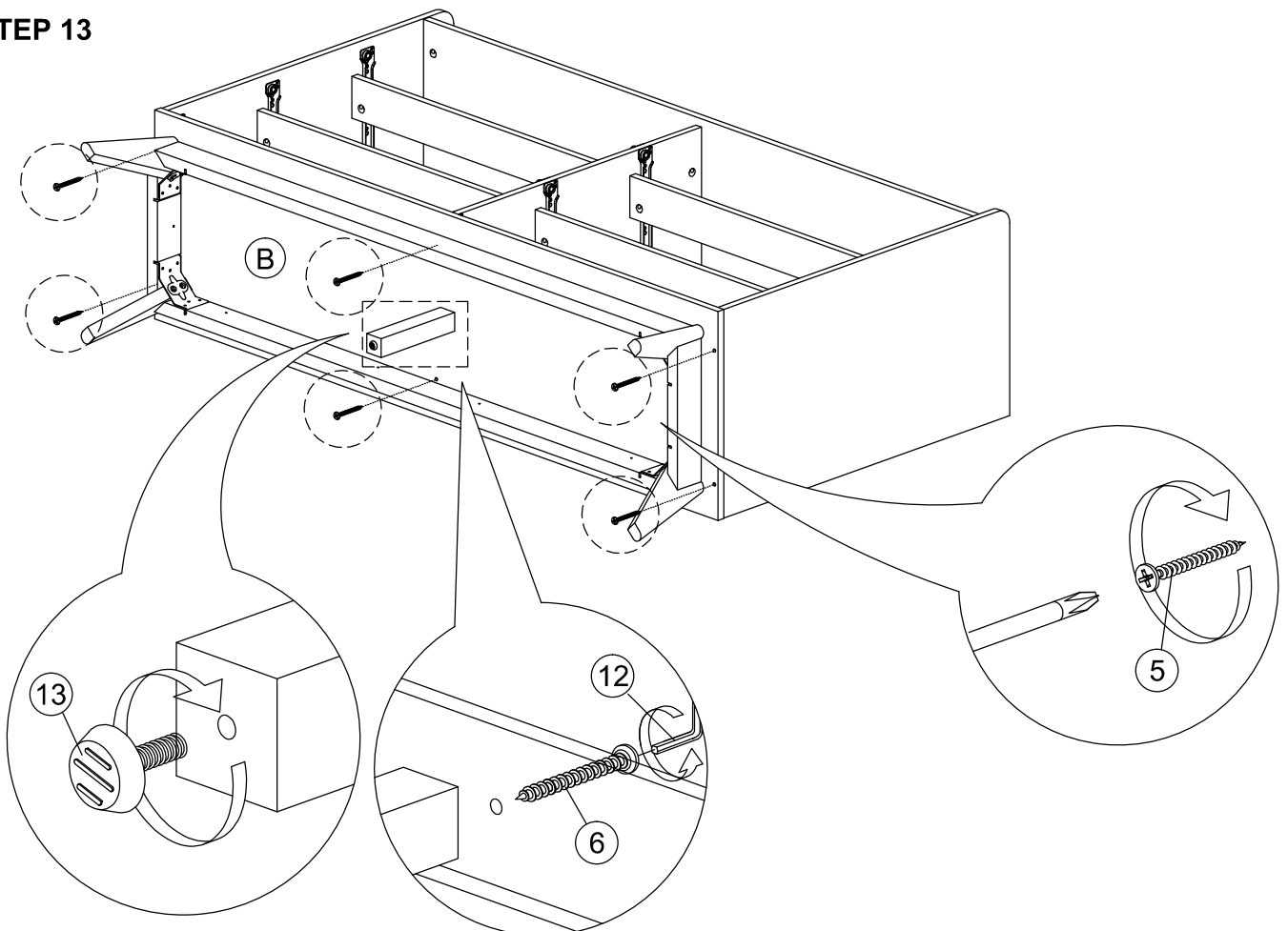


# Assembly Instruction

## STEP 12



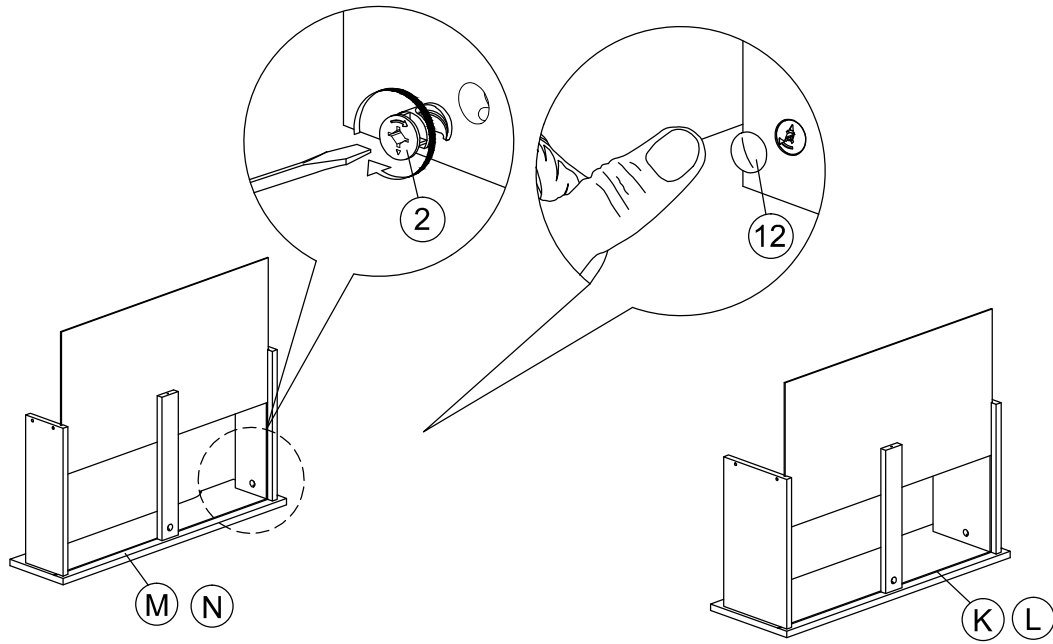
## STEP 13



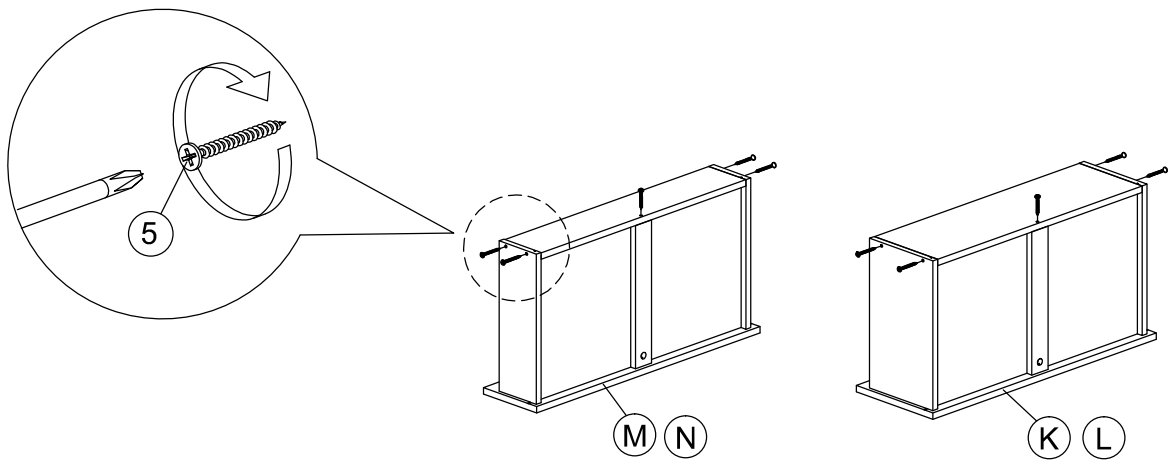


# Assembly Instruction

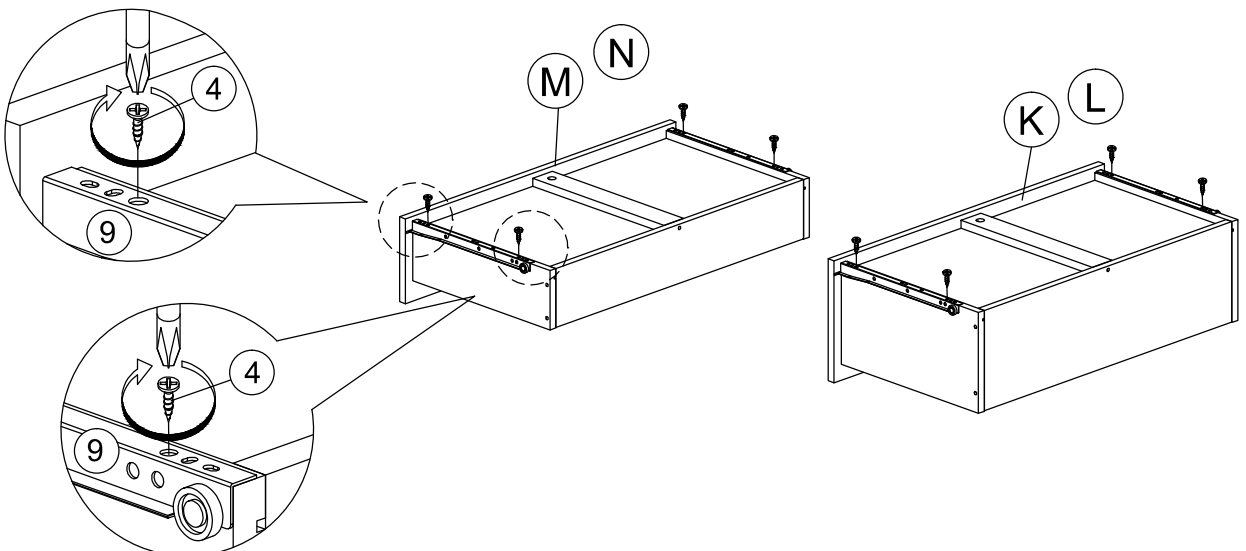
## STEP 14



## STEP 15

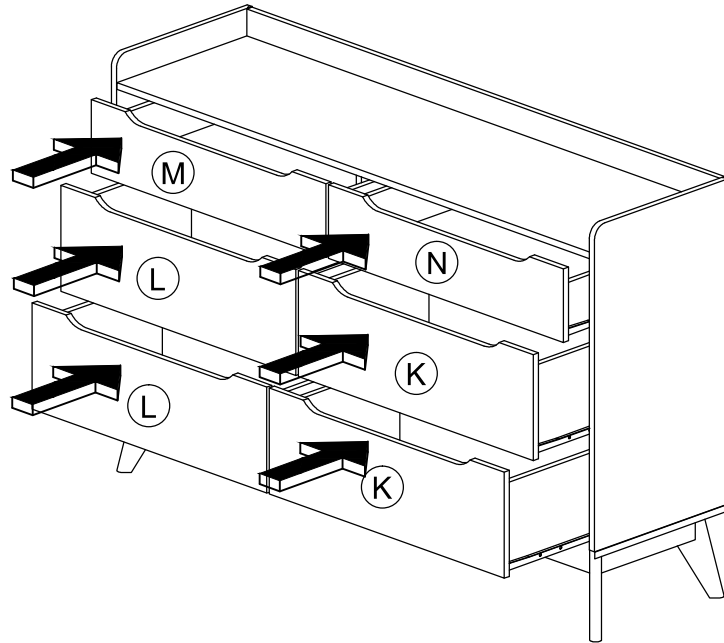


## STEP 16

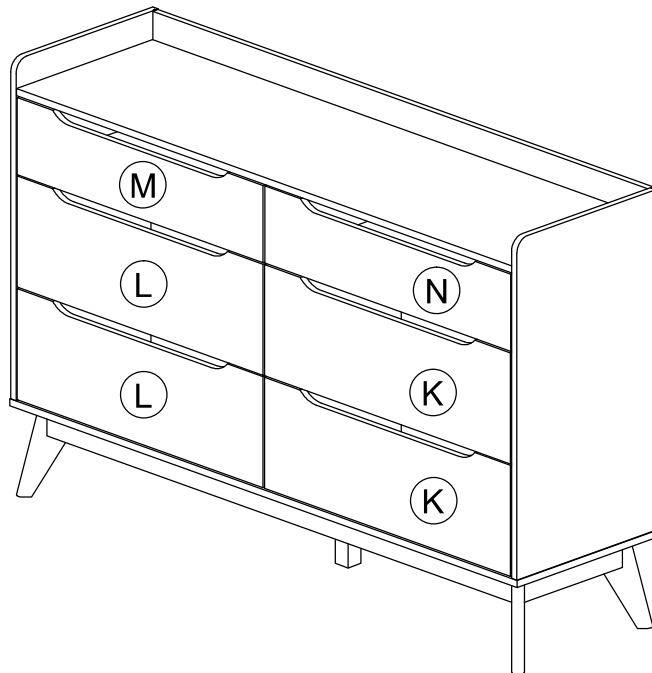


# Assembly Instruction

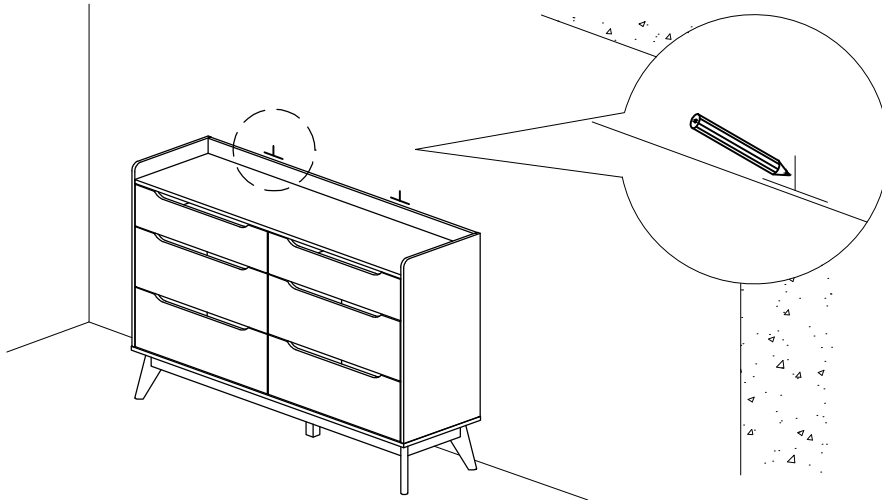
## STEP 17



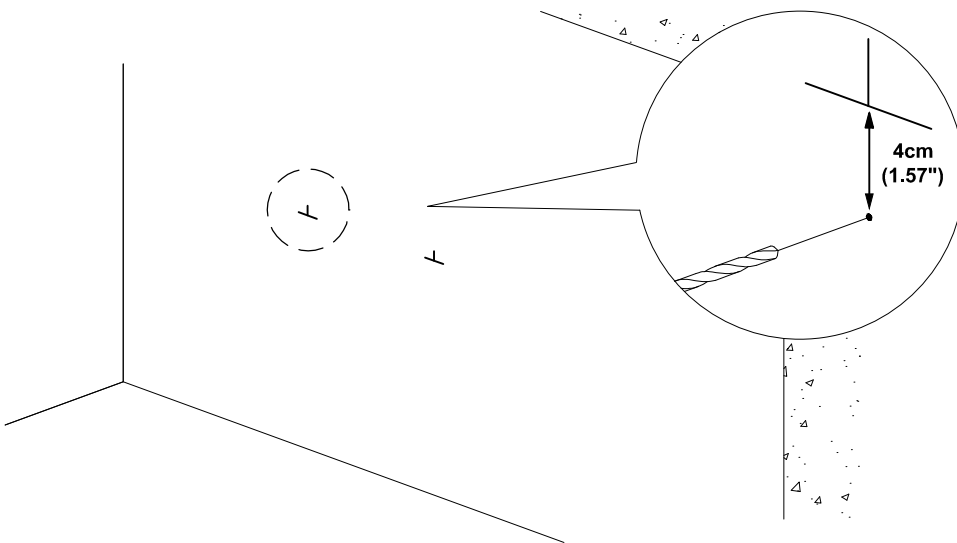
## Complete



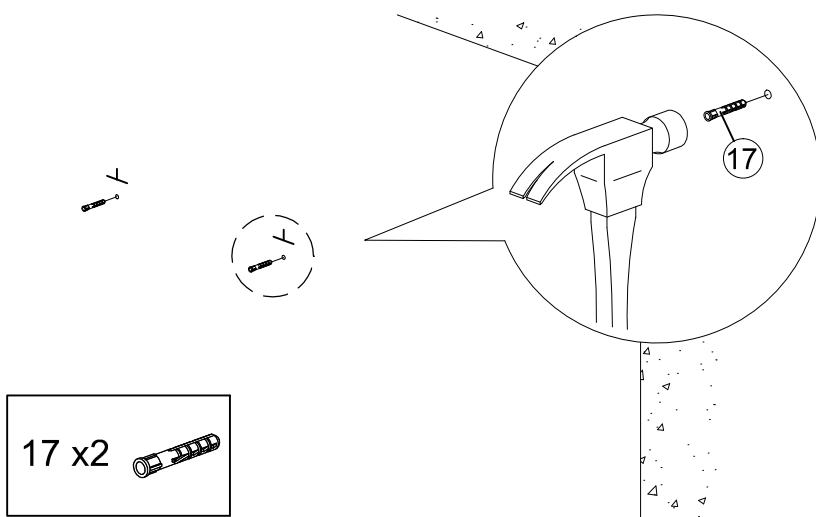
# FURNITURE TIPPING RESTRAINT



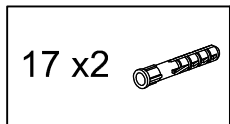
**1. First mark the wall with pencil as in diagram.**



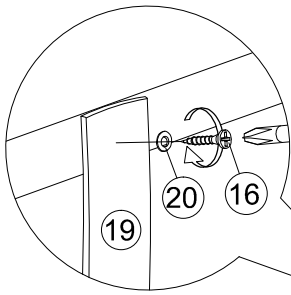
**2. Drill small hole at the pencil mark.**



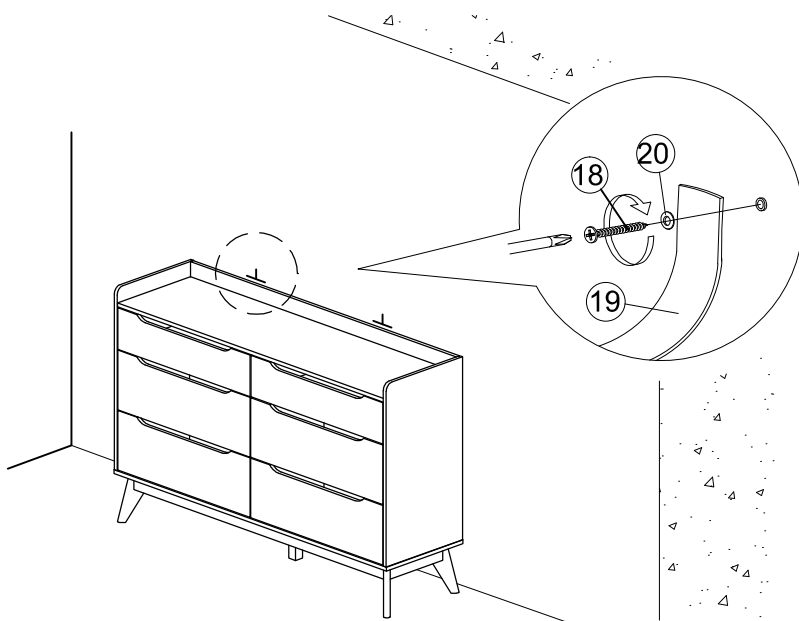
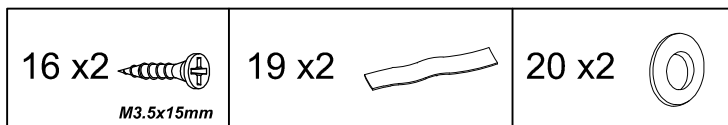
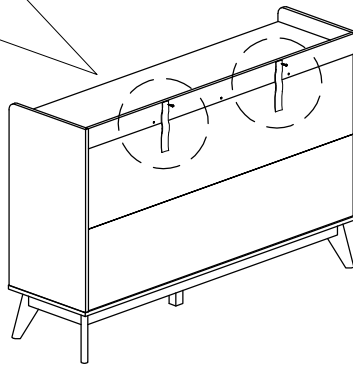
**3. Insert plastic wall plug (17).**



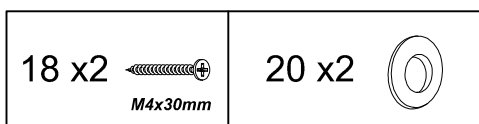
# FURNITURE TIPPING RESTRAINT

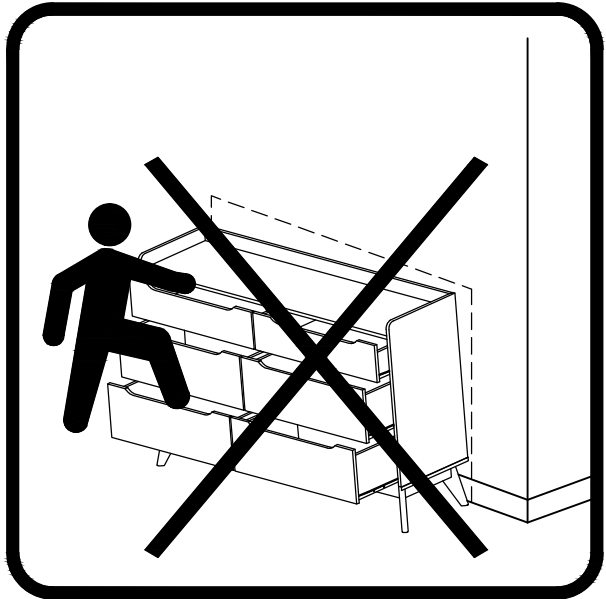
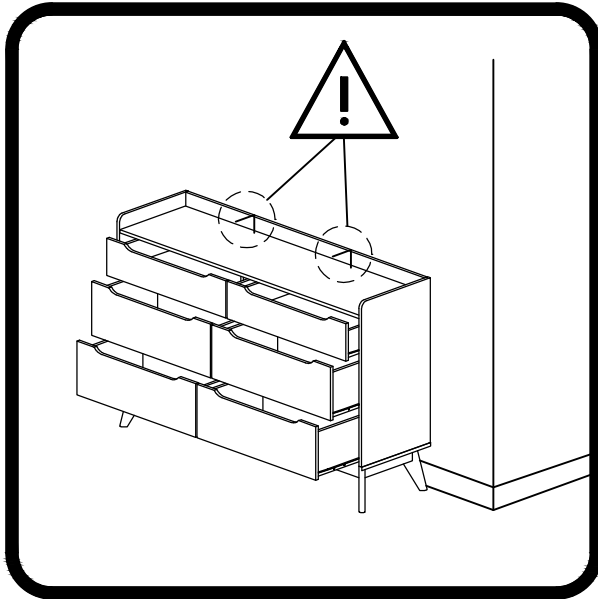


4. Add safety strap (19), washer (20) using 3.5x15mm screw (16) to back of cabinet.



5. Finally, attach safety strap (19) and washer (20) using 4x30mm screw (18) to the wall.





<b>⚠ WARNING</b>	
	<p><b>Serious or fatal crushing injuries can occur from furniture tip-over. To help prevent tip-over:</b></p> <ul style="list-style-type: none"> <li>• Install tipover restraint provided.</li> <li>• Place heaviest items in the lowest drawers.</li> <li>• Do not set TV's or other heavy objects on top of this product, unless the product is specifically designed to accommodate them.</li> <li>• Never allow children to climb or hang on drawers, doors, or shelves.</li> <li>• Never open more than one drawer at a time.</li> </ul> <p>(OR)</p> <ul style="list-style-type: none"> <li>• Do not defeat or remove the drawer interlock system.</li> </ul> <p><b>Use of tip-over restraints may only reduce, but not eliminate, the risk of tip-over.</b></p> <p><i>This is a permanent label. Do not remove!</i></p>



**Anti-Topple hardware included for added safety and stability**