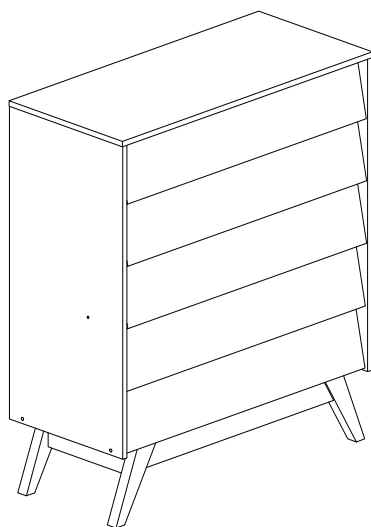
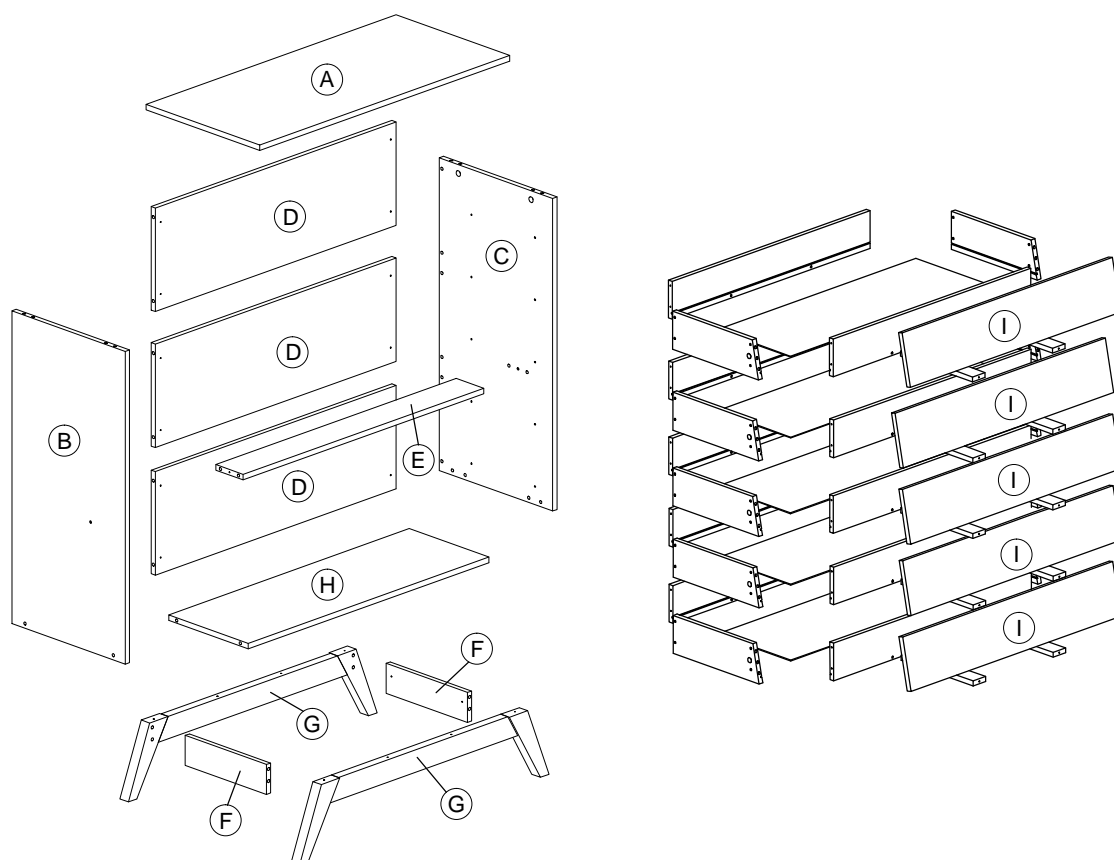


Assembly Instruction

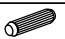



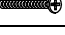




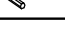

Model : WI7489






PART LIST


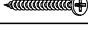





Assembly Instruction

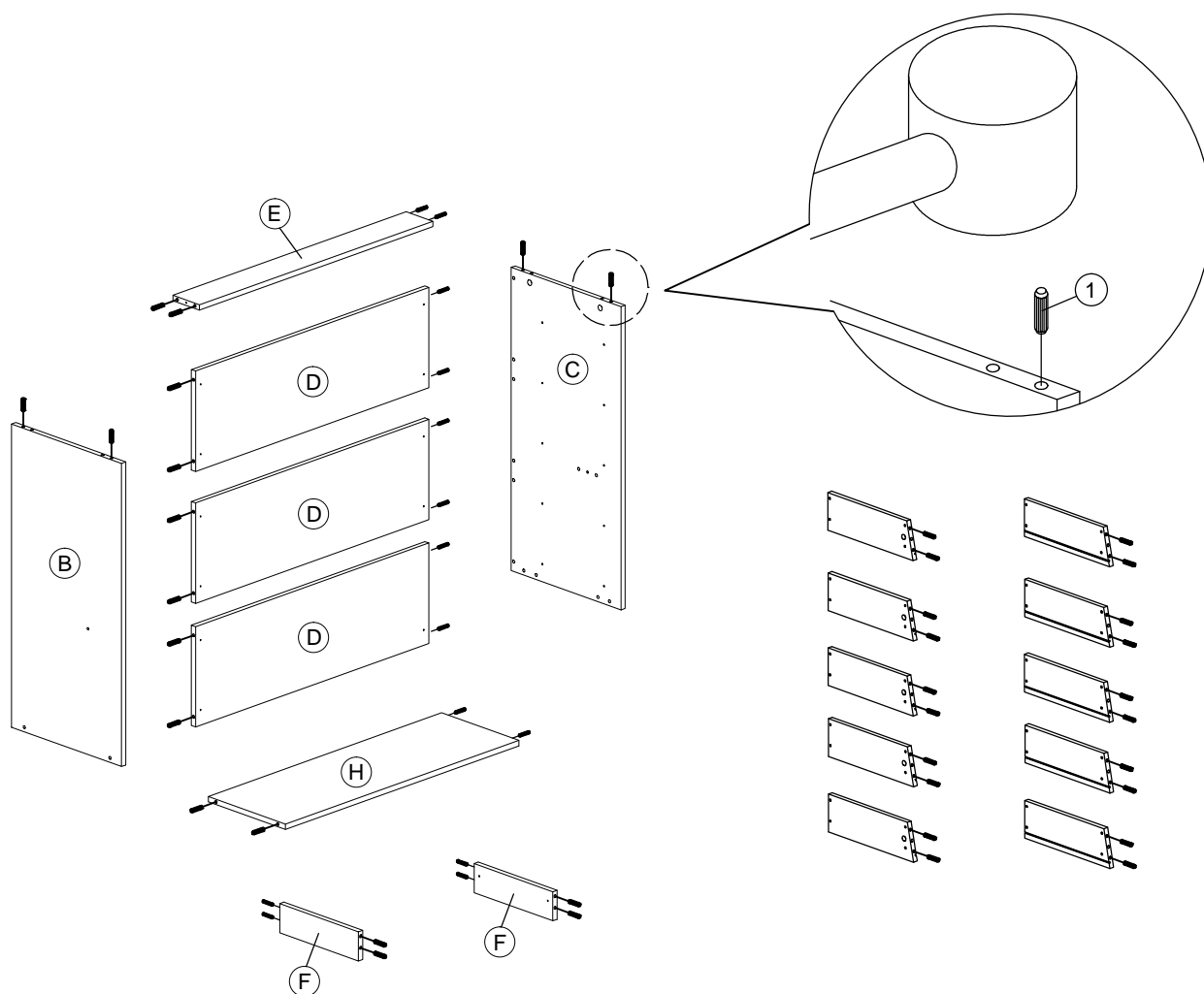
<i>Hardware List</i>			
No.	SHAPE	DESCRIPTION	Qty.
1		8x25mm Wood Dowel	52Pcs
2		15MM Myfix Minifix	14Sets
3		M5x8mm Screw (Euro Screw)	20Pcs
4		M3.5x15mm Screw	62Pcs
5		M4x38mm Screw	62Pcs
6		M4x50mm Screw	8Pcs
7		JCBC - Bolt M6x40mm	4Pcs
8		L Bracket	16 Pcs
9		Nail Leg	4Pcs
10		L Key	1Pc
11		Metal Drawer Slide 12" (300mm)	5Sets

12		Minifix Cap	10Pcs
13		Screw Cap	2Pcs
14		Metal Cross Bar 848x25x25mm	2Pcs

Packing Tipping Restraint

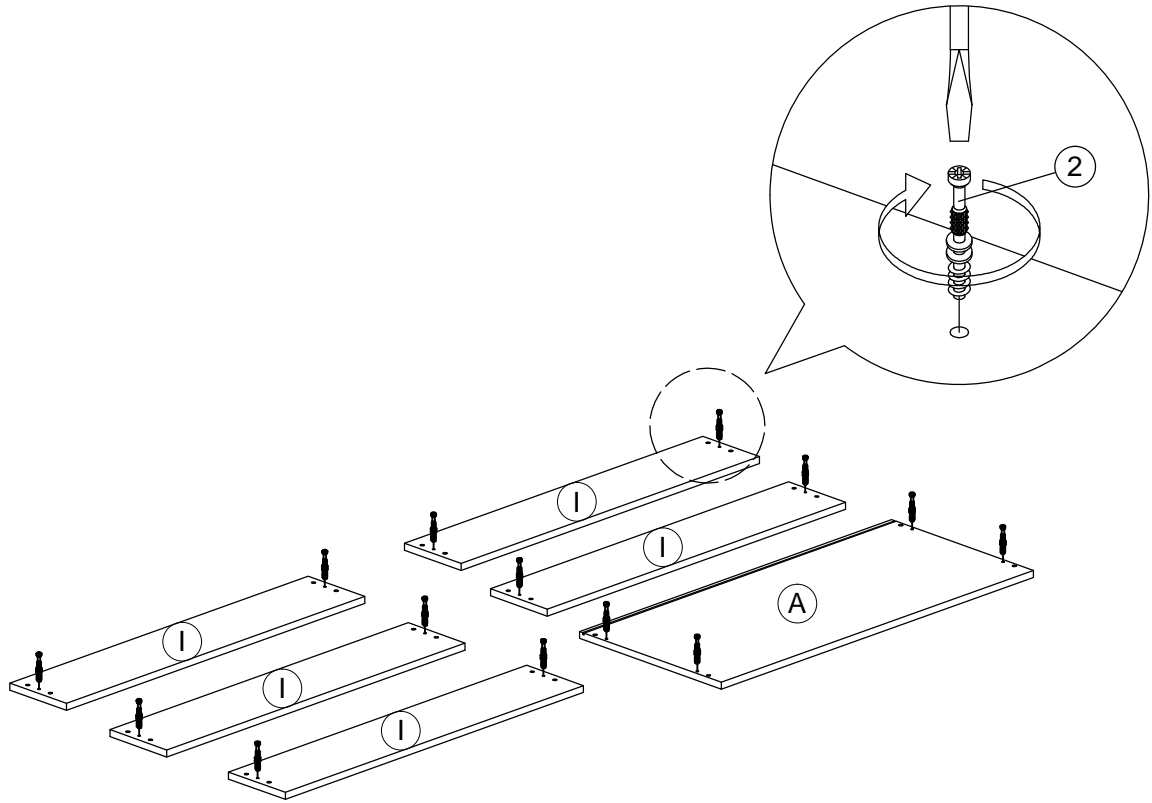
15		Wall Plug	2Pcs
16		M4x30mm Screw	2Pcs
17		Safety Strap	2Pcs
18		Flat Washer 6x19x2mm	4Pcs
19		M3.5x15mm Screw	2Pcs

STEP 1

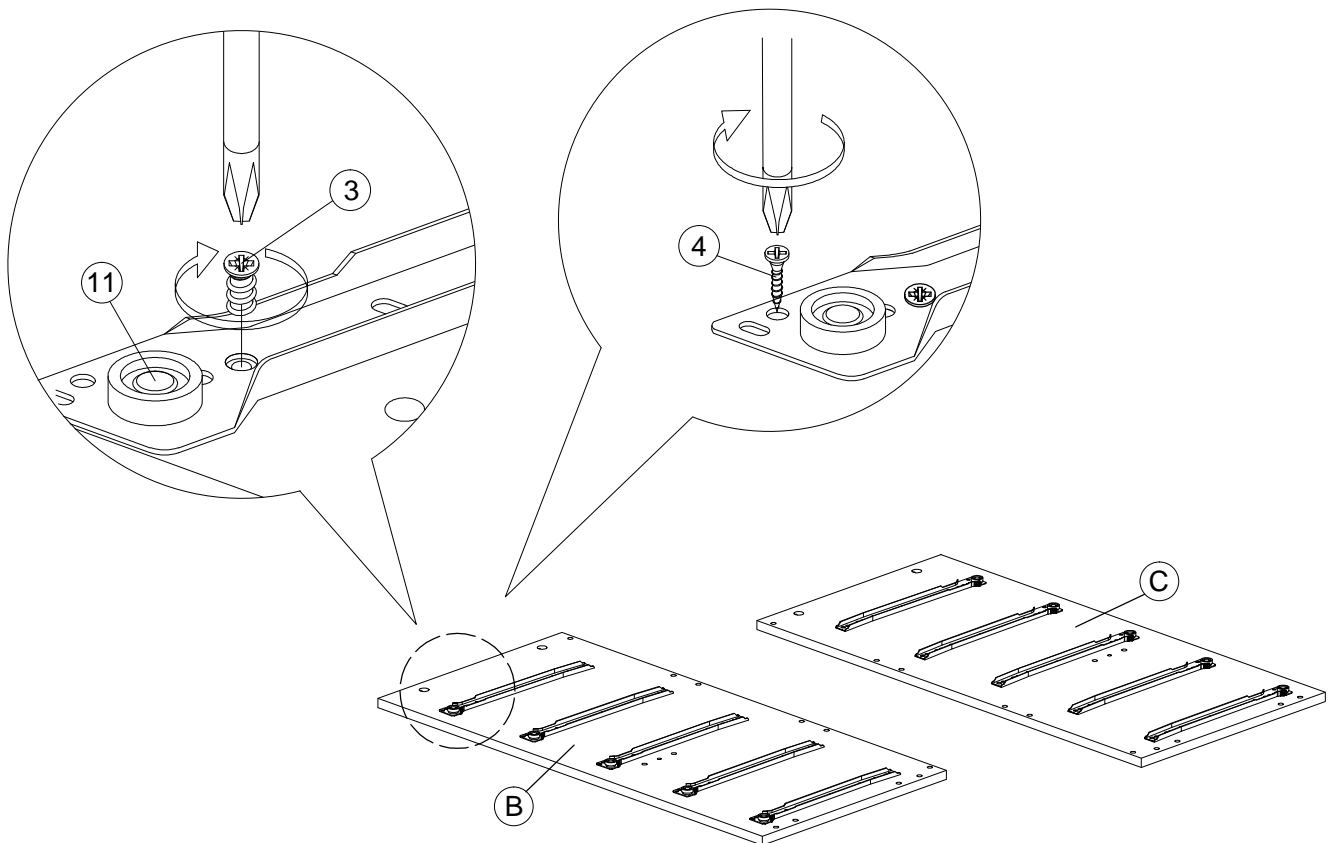


Assembly Instruction

STEP 2

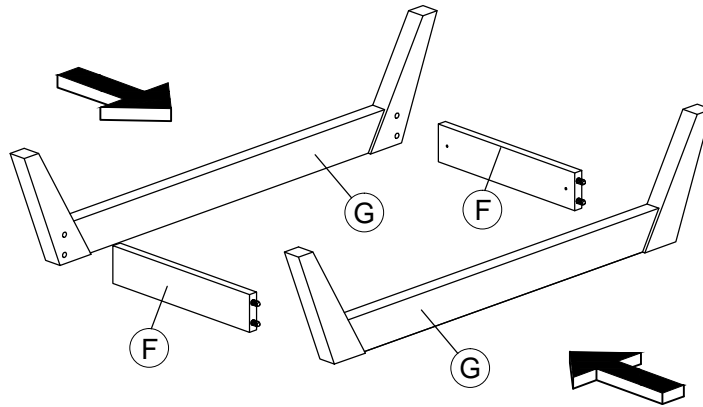


STEP 3

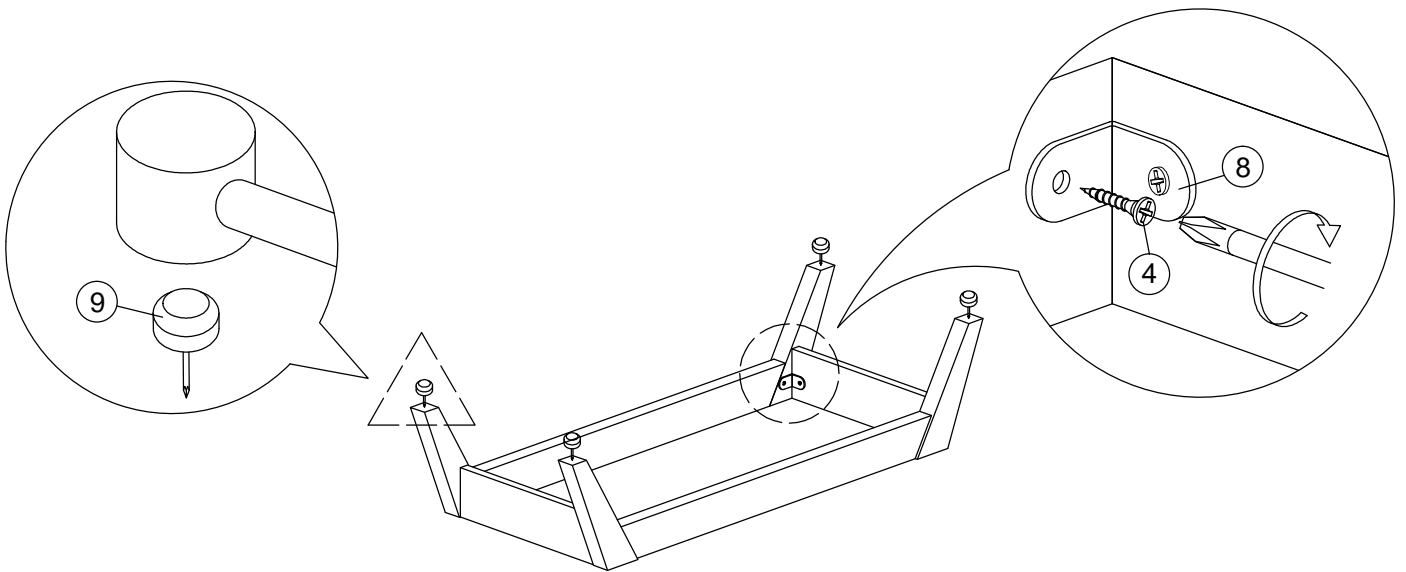


Assembly Instruction

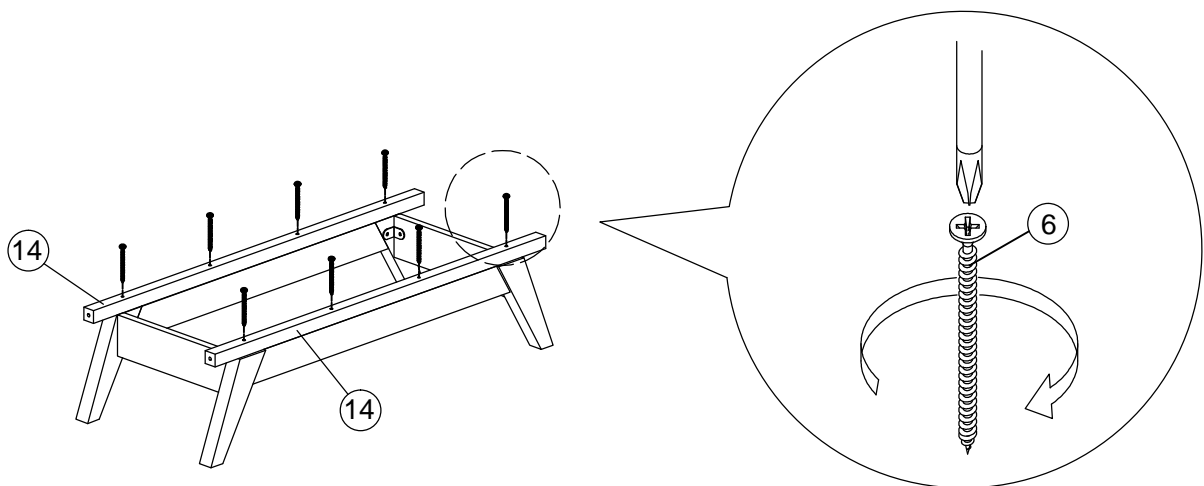
STEP 4



STEP 5

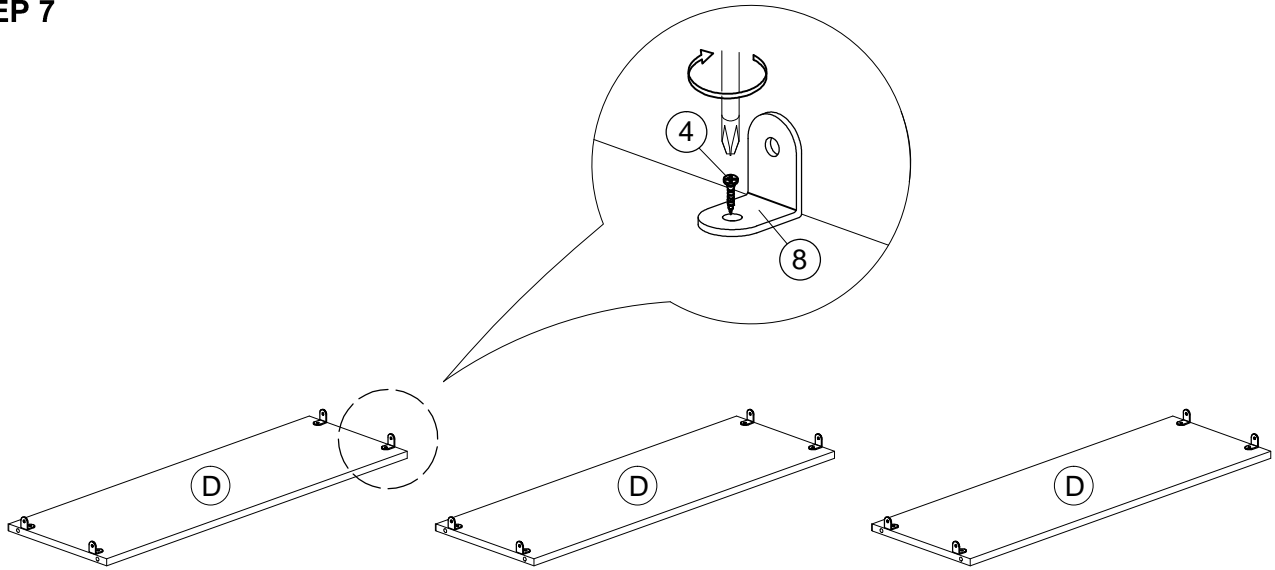


STEP 6

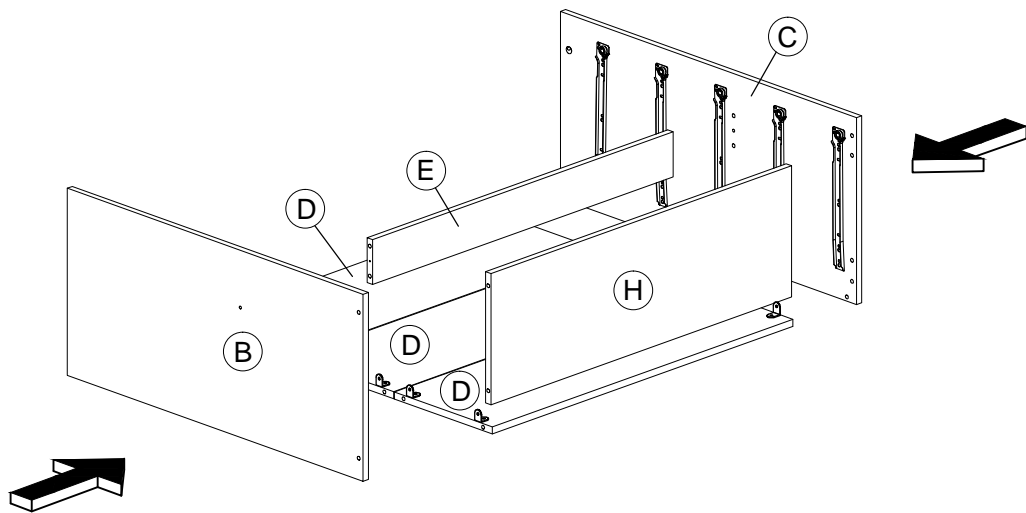


Assembly Instruction

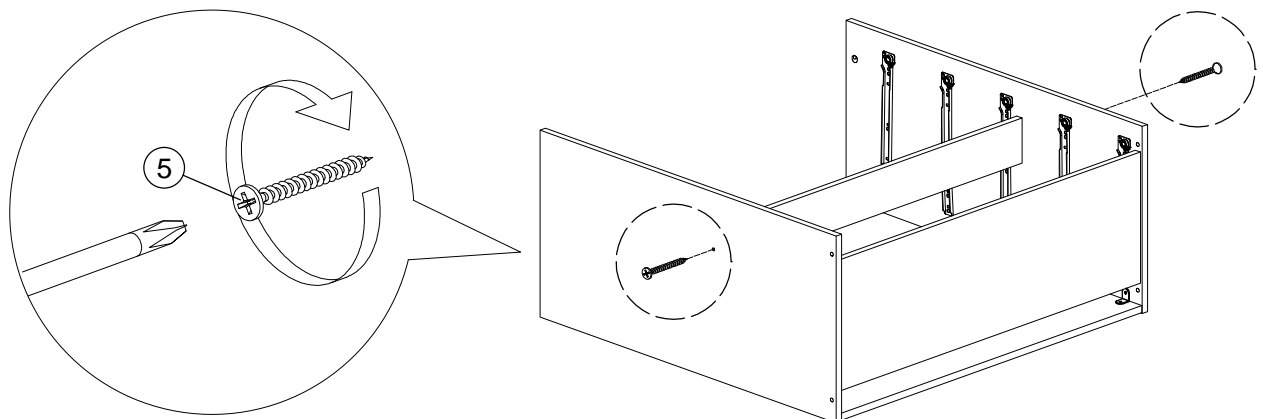
STEP 7



STEP 8

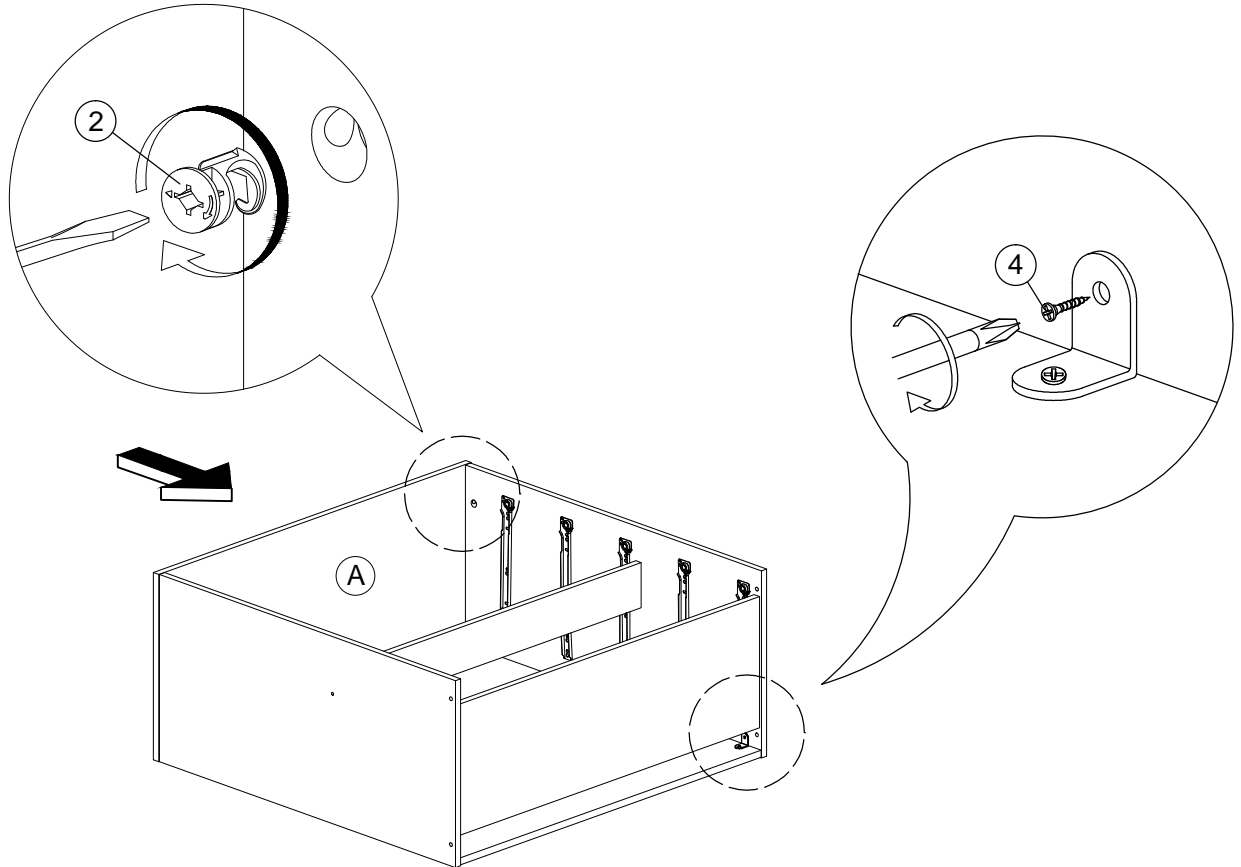


STEP 9

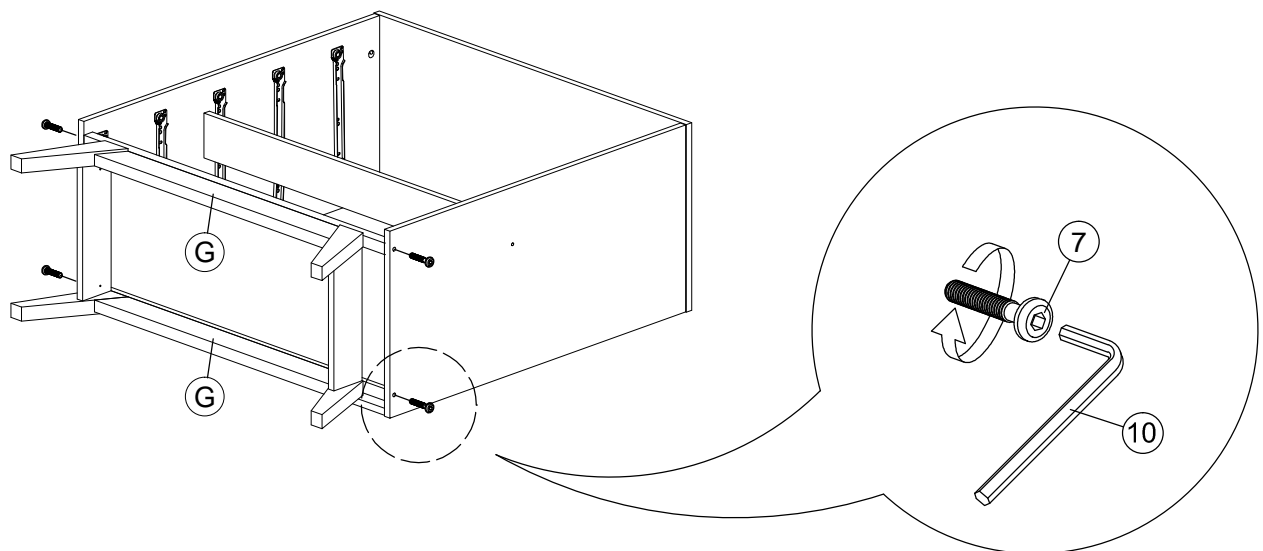


Assembly Instruction

STEP 10

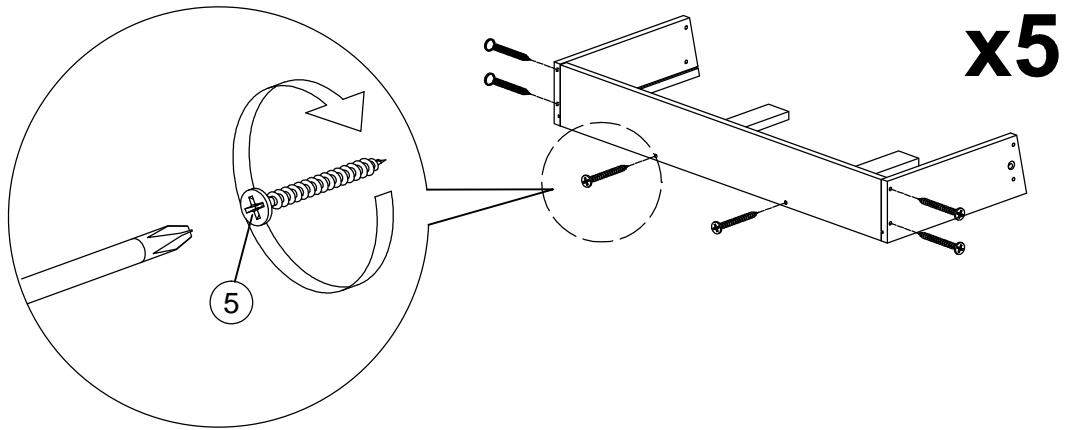


STEP 11

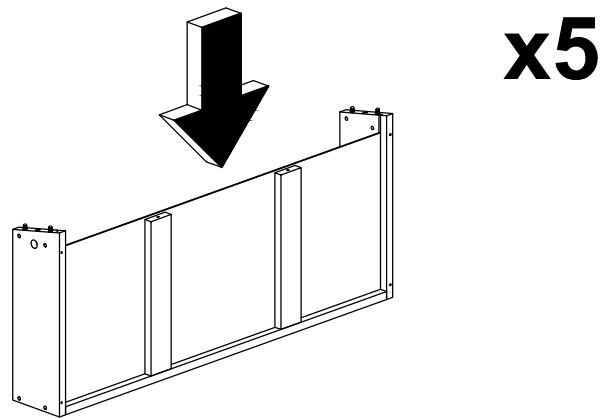


Assembly Instruction

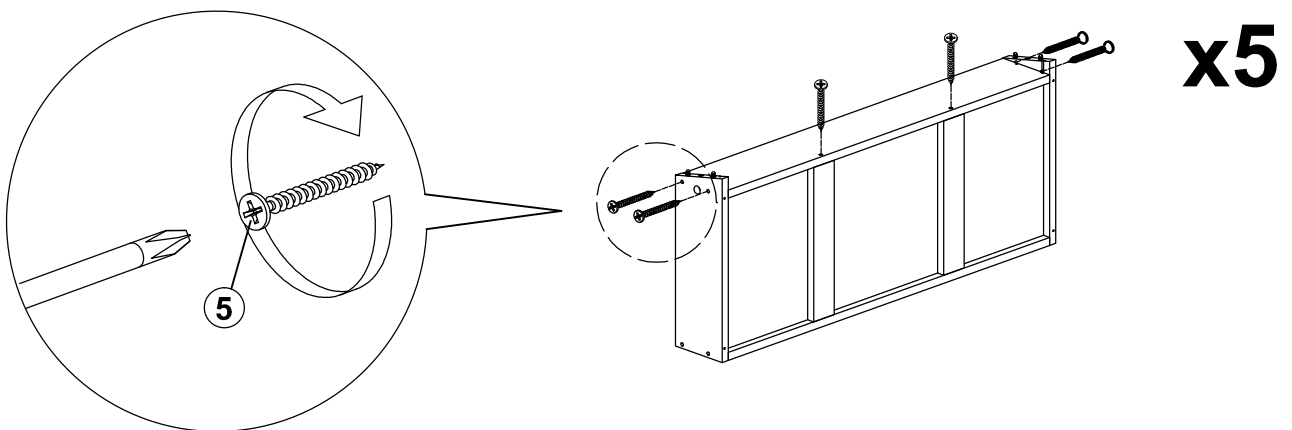
Step 12



Step 13

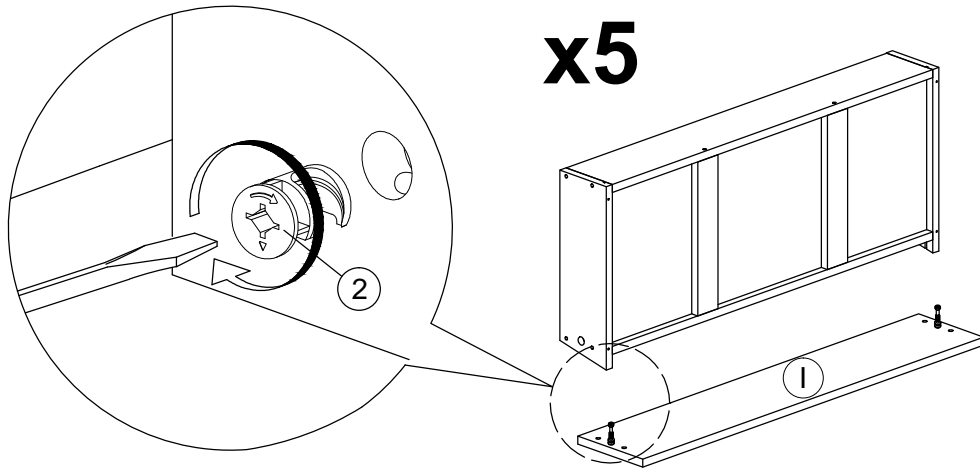


Step 14

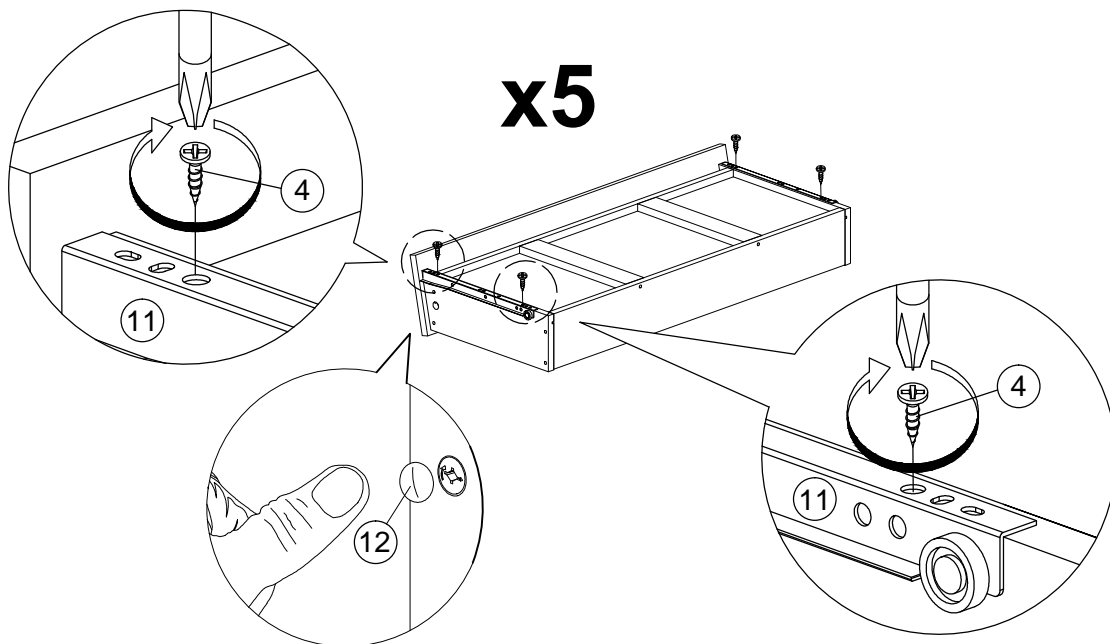


Assembly Instruction

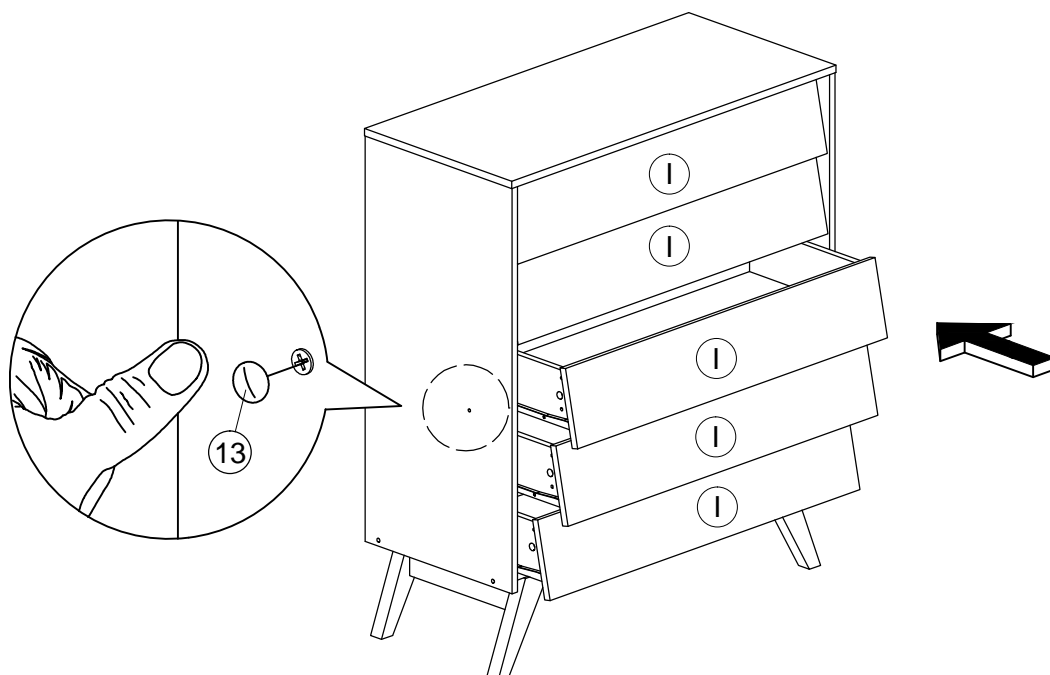
Step 15



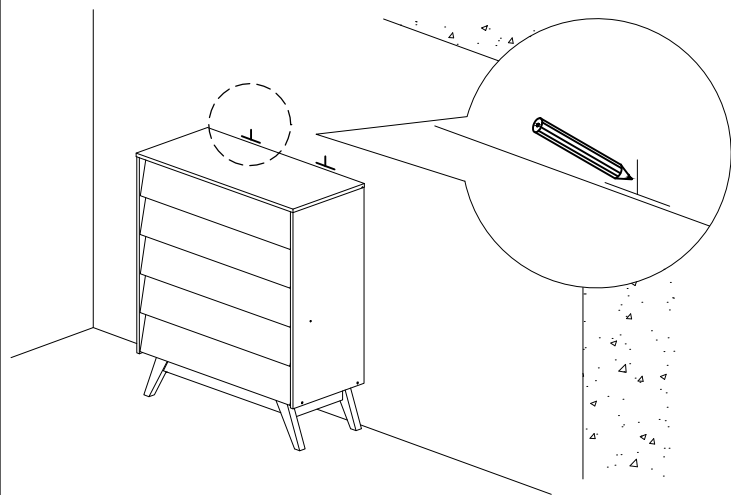
Step 16



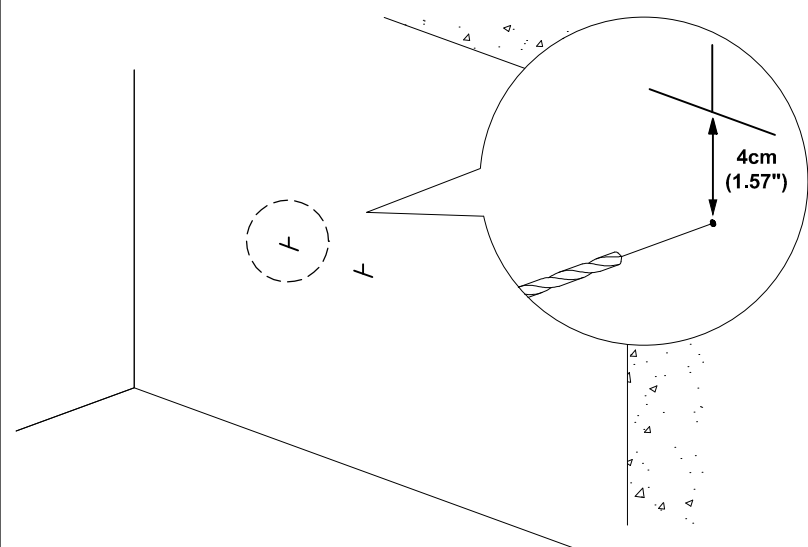
Step 17



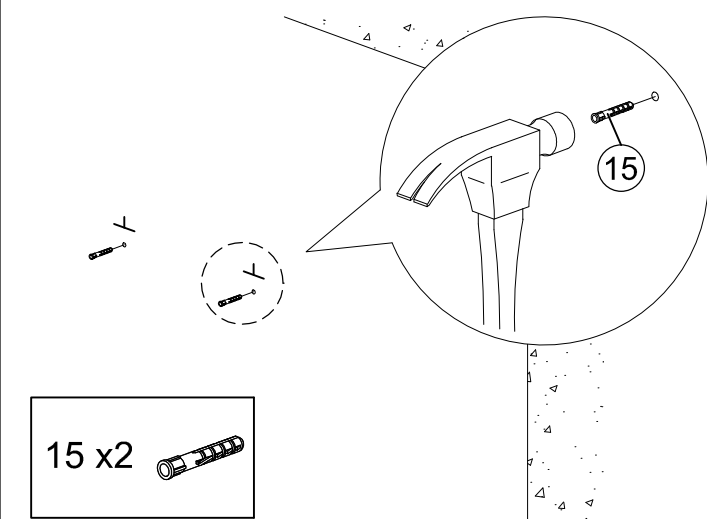
FURNITURE TIPPING RESTRAINT



1. First mark the wall with pencil as in diagram.

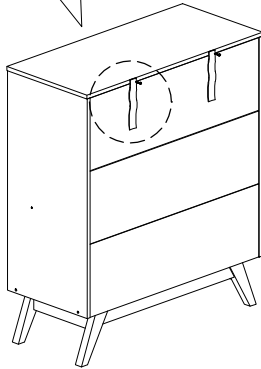
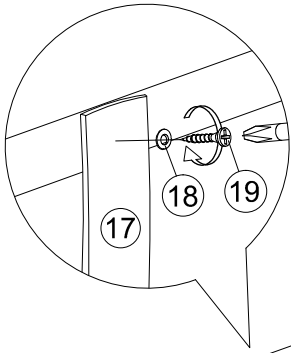


2. Drill small hole at the pencil mark.

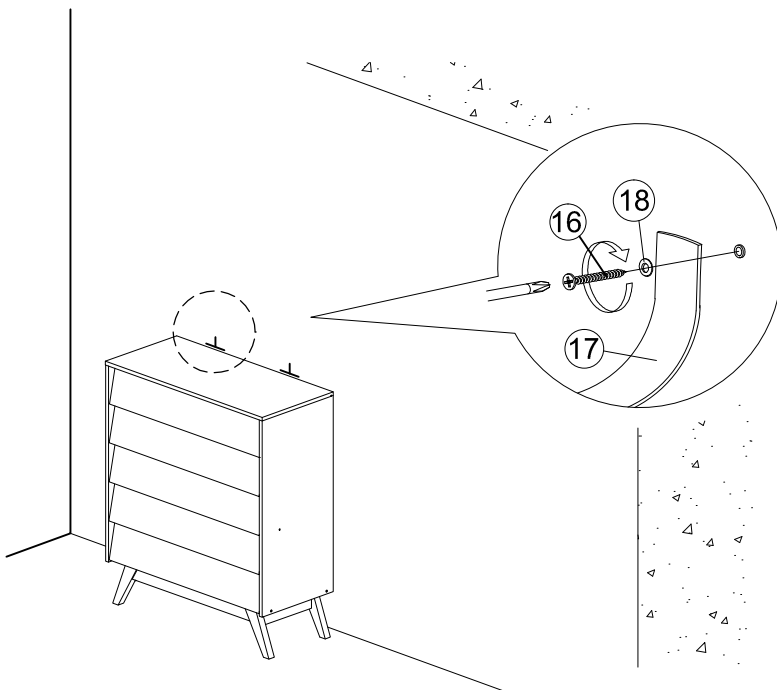
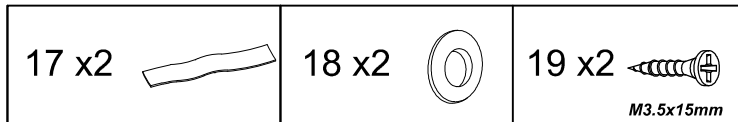


3. Insert plastic wall plug (15).

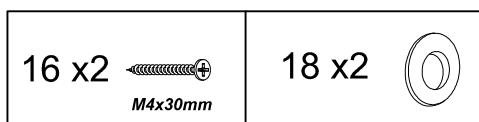
FURNITURE TIPPING RESTRAINT

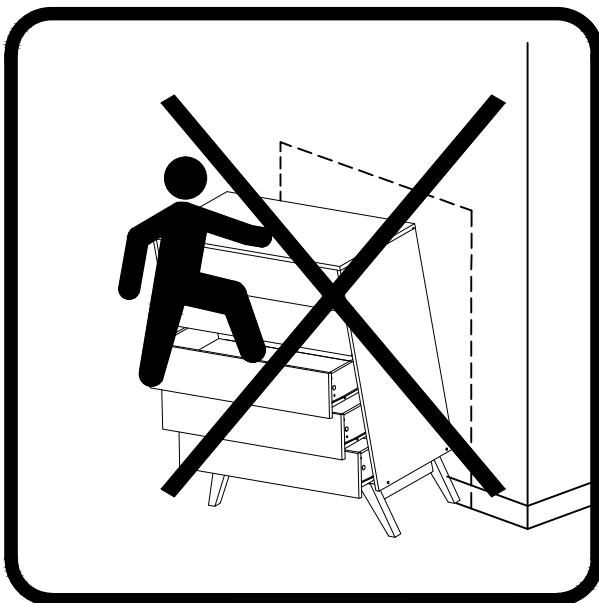
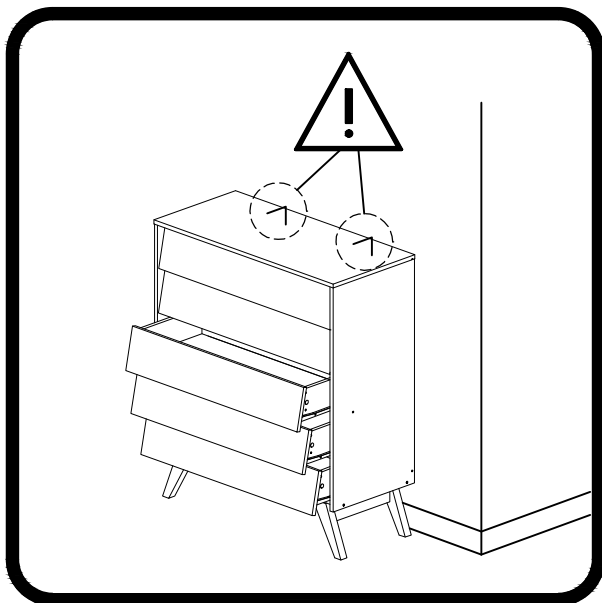


4. Add safety strap (17), washer (18) using 3.5x15mm screw (19) to back of cabinet.



5. Finally, attach safety strap (17) and washer (18) using 4x30mm screw (16) to the wall.





⚠ WARNING	
	<p>Serious or fatal crushing injuries can occur from furniture tip-over. To help prevent tip-over:</p> <ul style="list-style-type: none"> • Install tipover restraint provided. • Place heaviest items in the lowest drawers. • Do not set TV's or other heavy objects on top of this product, unless the product is specifically designed to accommodate them. • Never allow children to climb or hang on drawers, doors, or shelves. • Never open more than one drawer at a time. <p>(OR)</p> <ul style="list-style-type: none"> • Do not defeat or remove the drawer interlock system. <p>Use of tip-over restraints may only reduce, but not eliminate, the risk of tip-over.</p> <p><i>This is a permanent label. Do not remove!</i></p>



Anti-Topple hardware included for added safety and stability