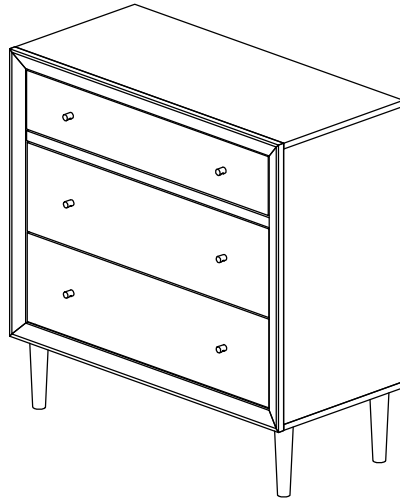
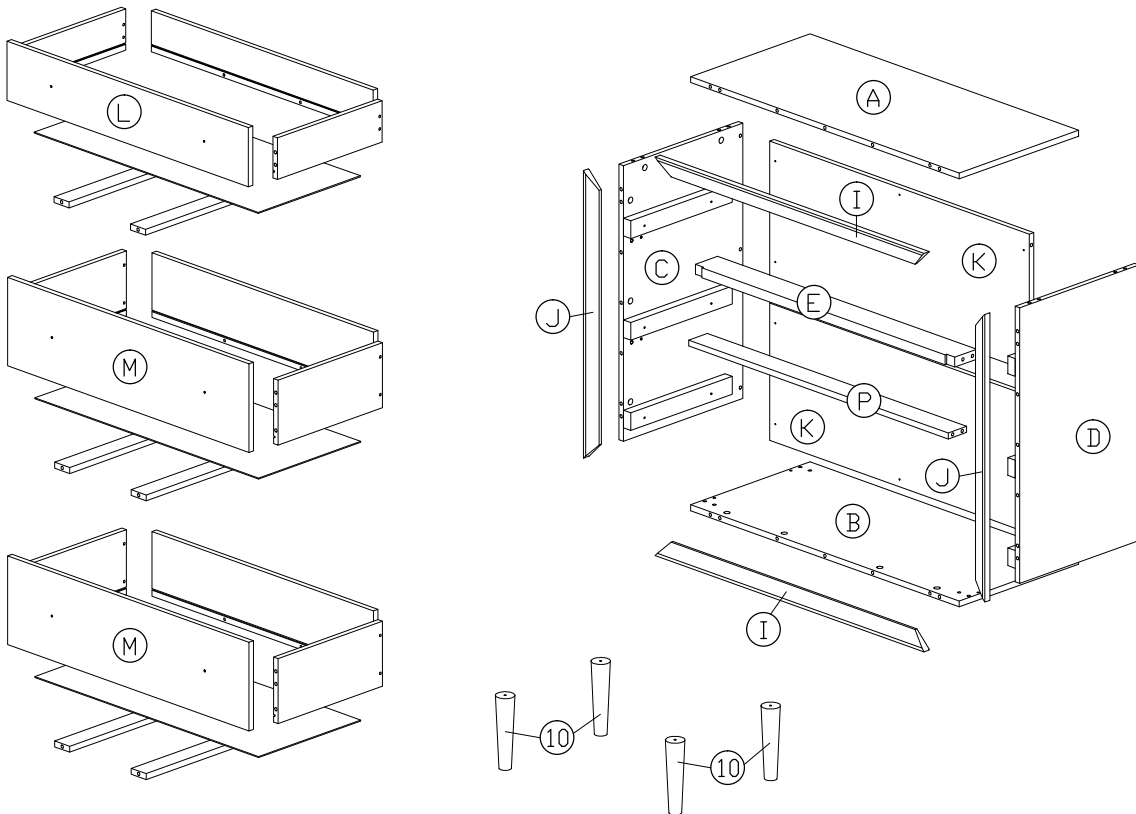


Assembly Instruction

Model : WI6782



PART LIST



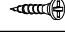




Assembly Instruction

Hardware List

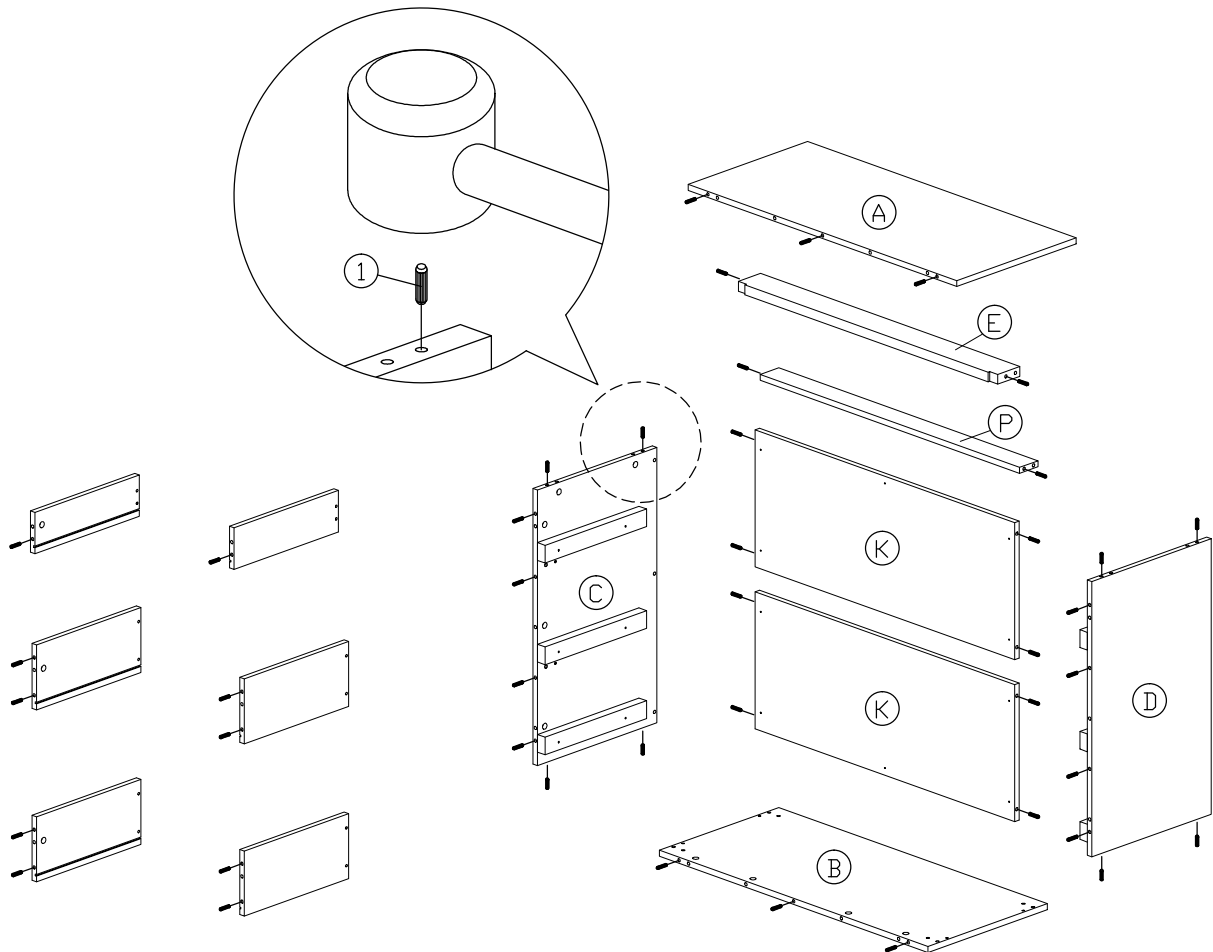
No.	SHAPE	DESCRIPTION	Qty.
1		8x25mm Wood Dowel	44Pcs
2		15MM Myfix Minifix	34Sets
3		M5x38mm Screw	4 Pcs
4		M6x40mm "W"	4 Pcs
5		M4x38mm Screw	18Pcs
6		M3.5x15mm Screw	38Pcs
7		M5x8mm Screw (Euro Screw)	12Pcs
8		Drawer Slider 300mm	3Sets
9		Allen Key	1Pcs

10		Wooden Leg (H 185mm) Ø46x30mm	4Pcs
11		L Bracket	10 Pcs
12		Handle Wood Ø15x20mm Handle Screw (M4 x25mm)	6sets
13		Minifix Cap	6Pcs

Packing Tipping Restraint

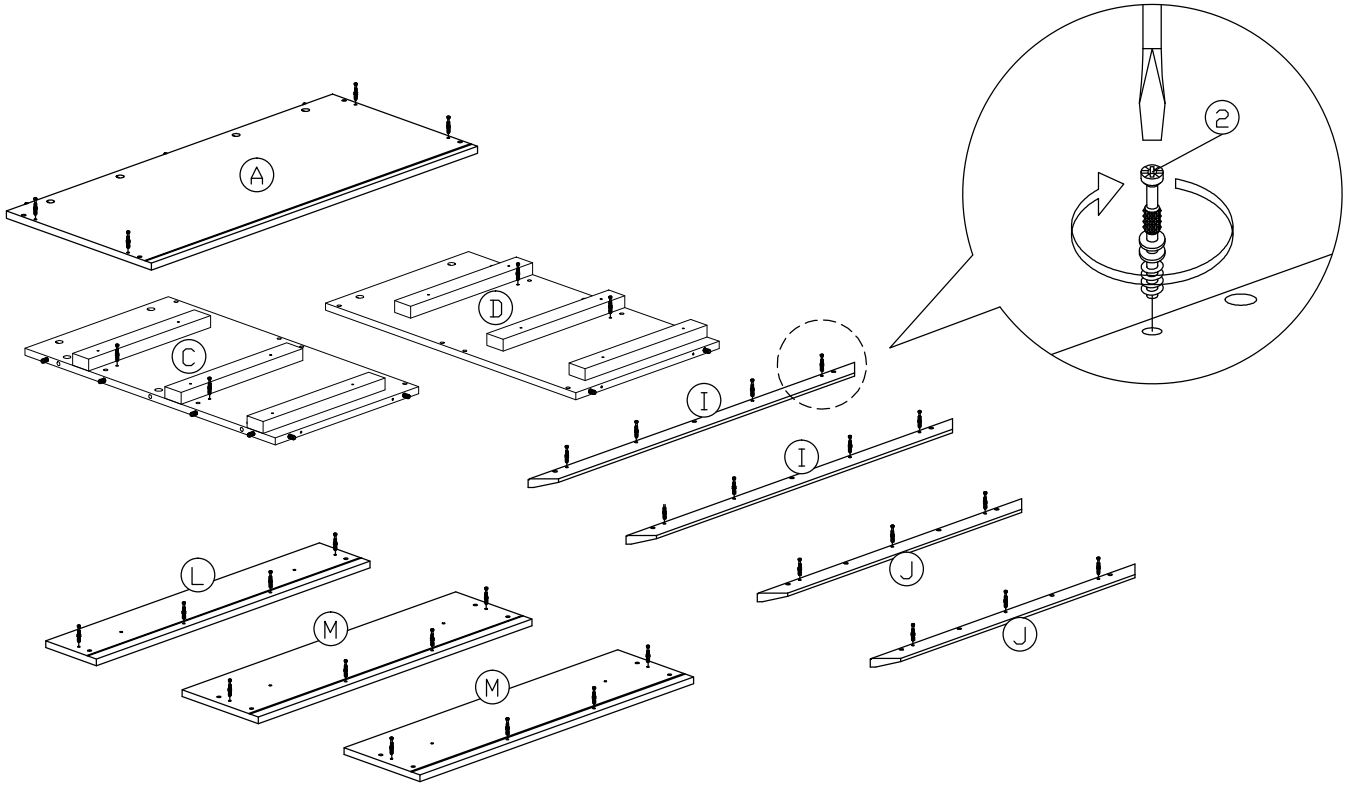
14		M3.5x15mm Screw	2Pcs
15		Wall Plug	2Pcs
16		M4x30mm Screw	2Pcs
17		Safety Strap	2Pcs
18		Flat Washer 6x19x2mm	4Pcs

STEP 1

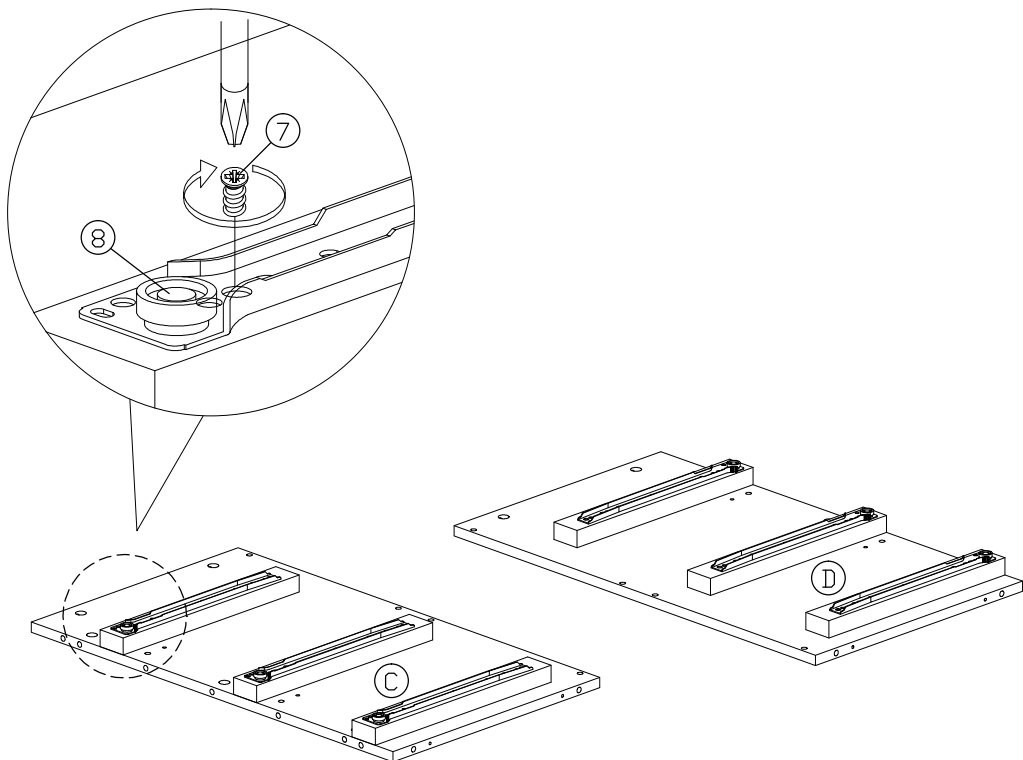


Assembly Instruction

STEP 2

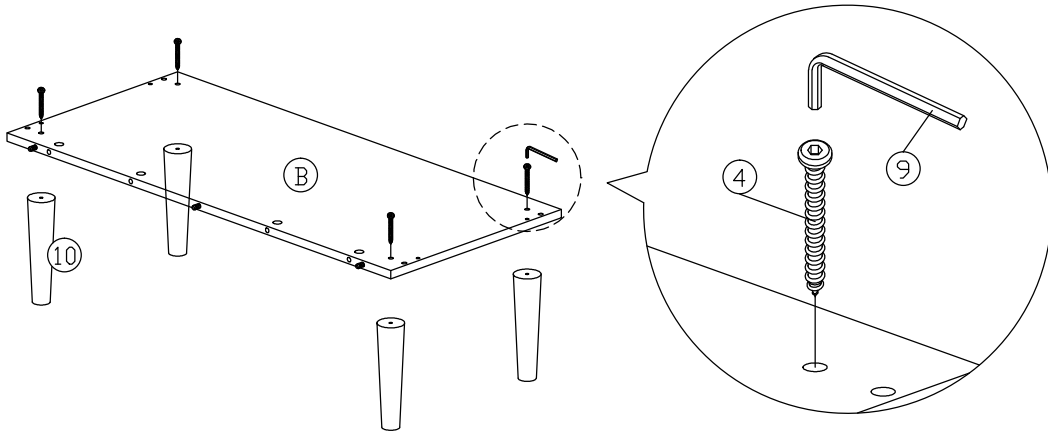


STEP 3

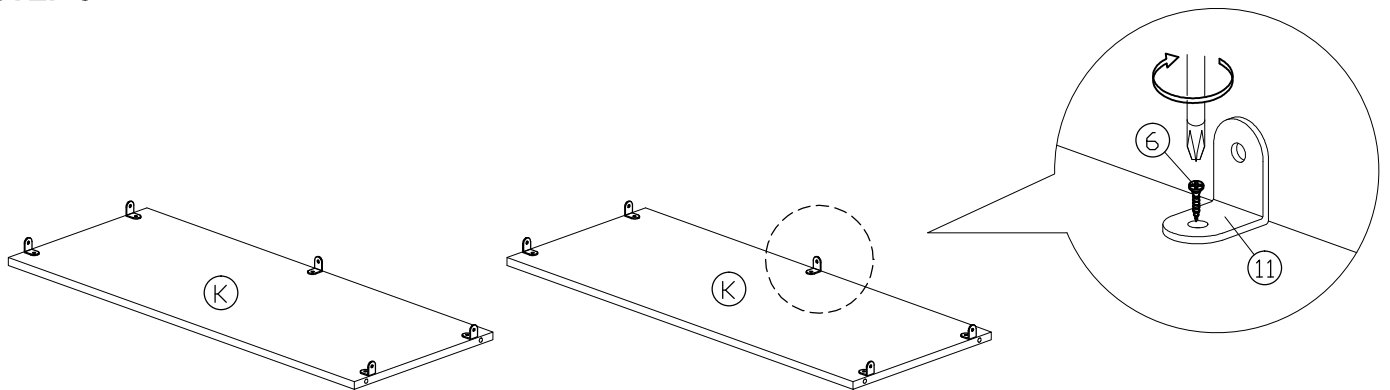


Assembly Instruction

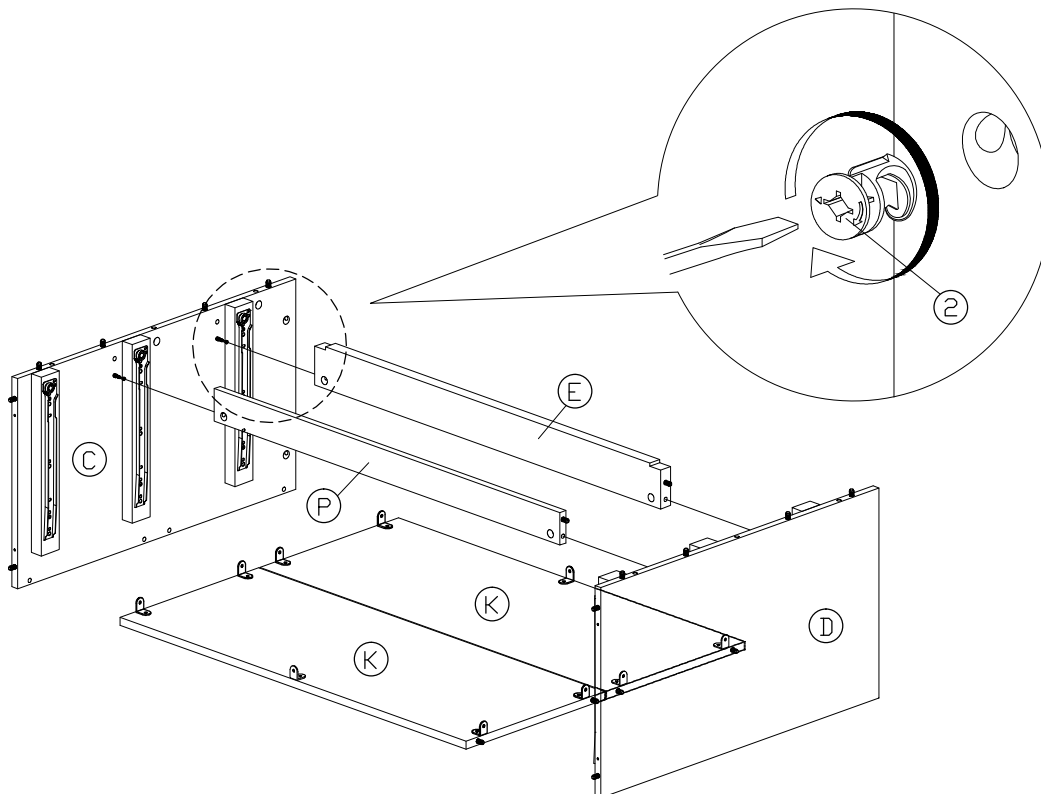
STEP 4



STEP 5

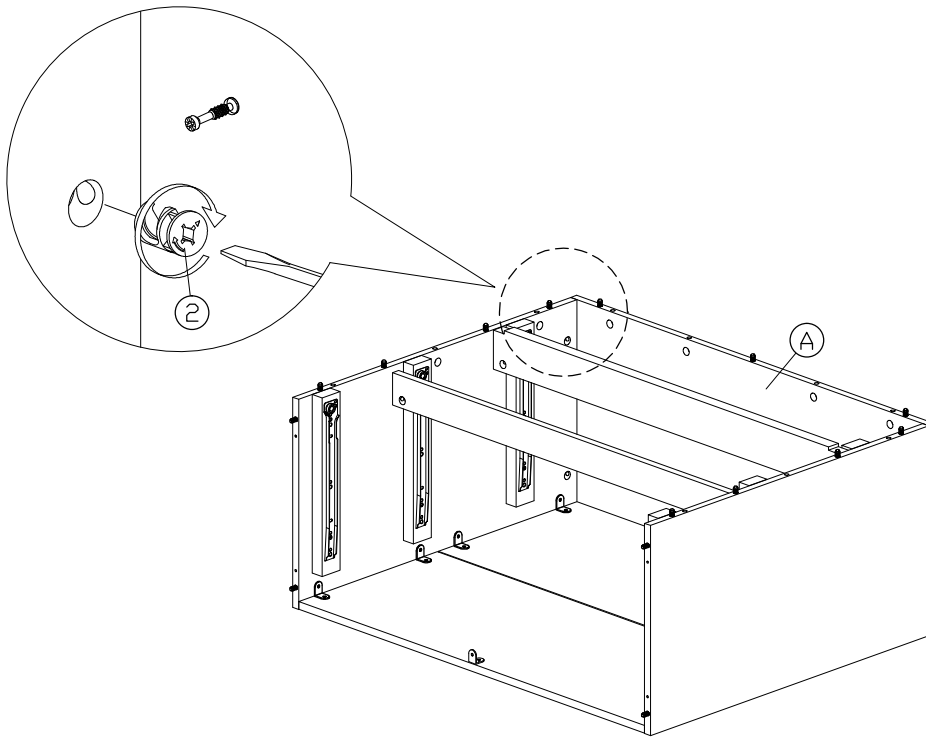


STEP 6

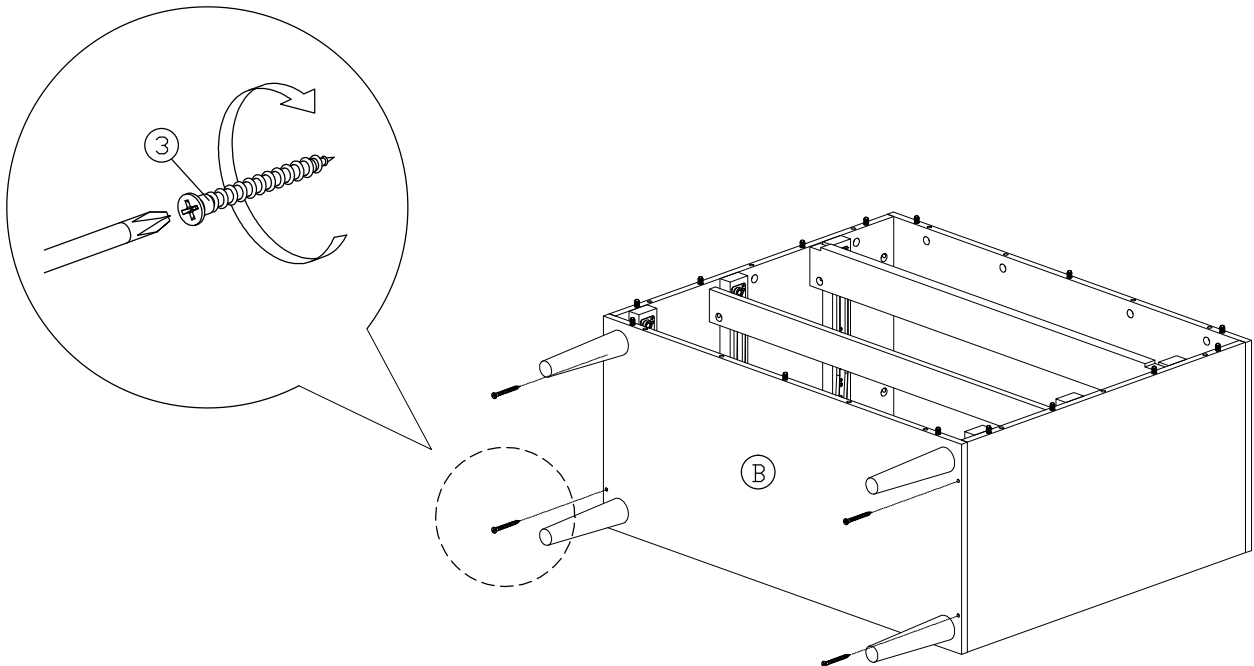


Assembly Instruction

STEP 7

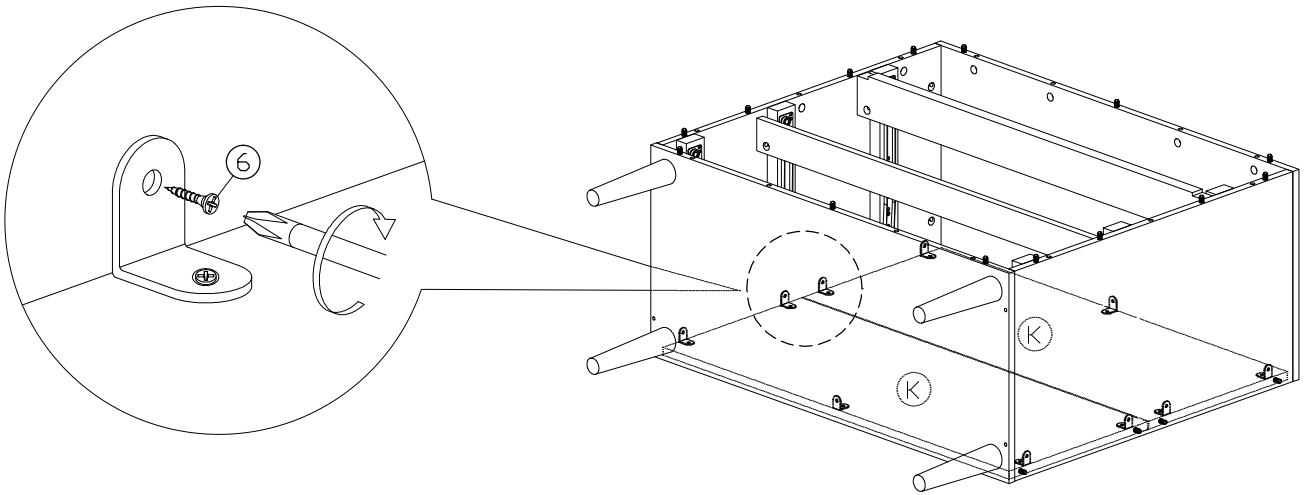


STEP 8

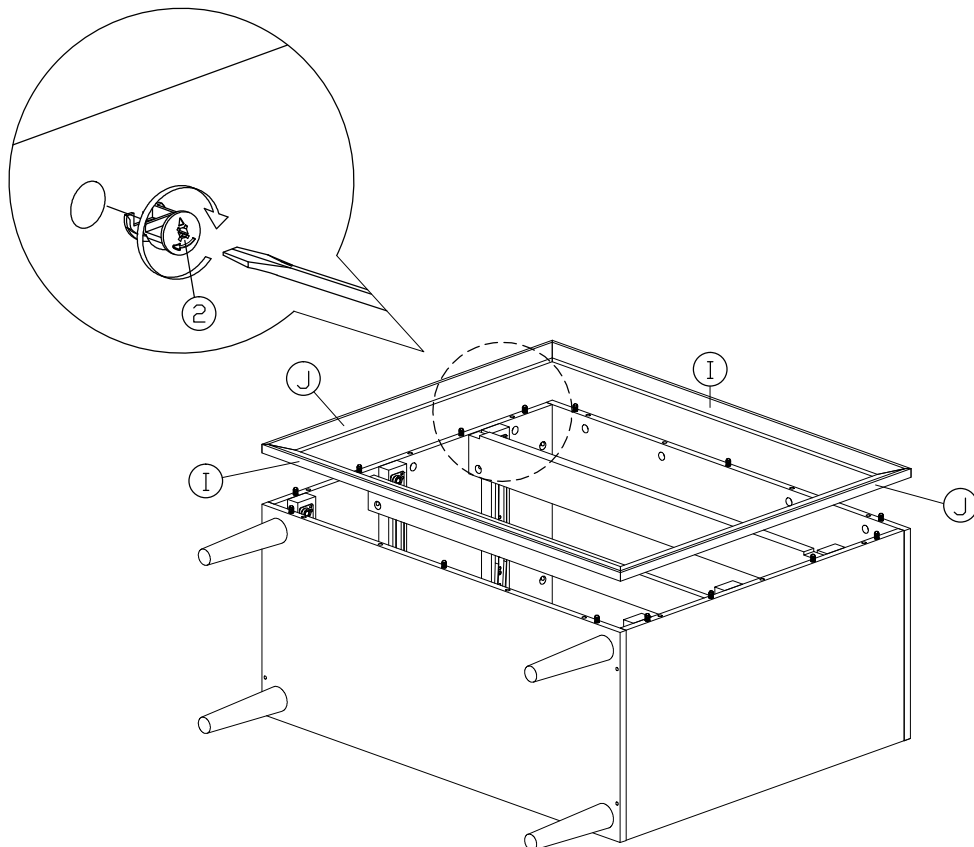


Assembly Instruction

STEP 9

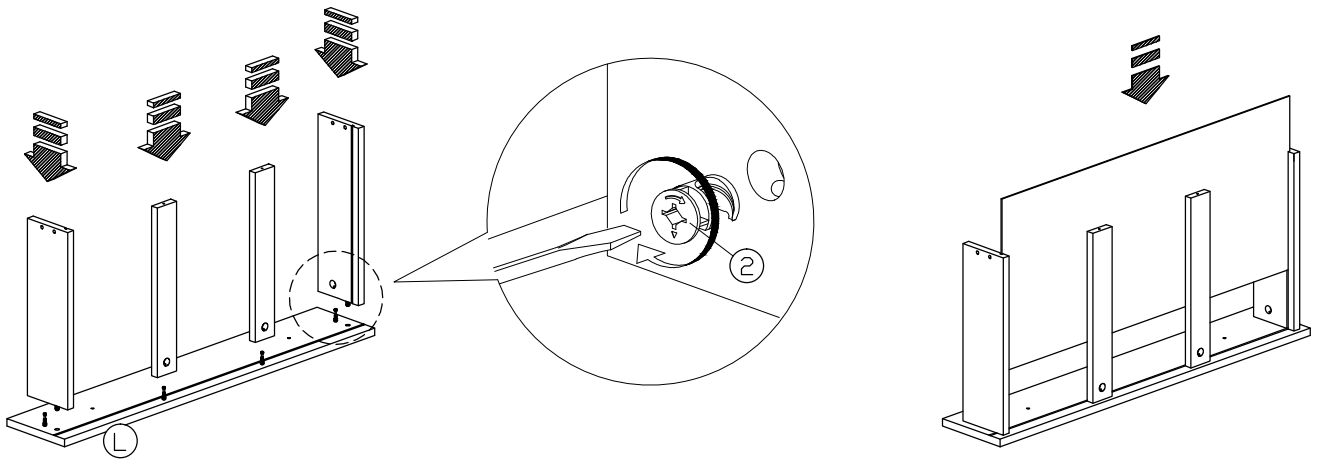


STEP 10

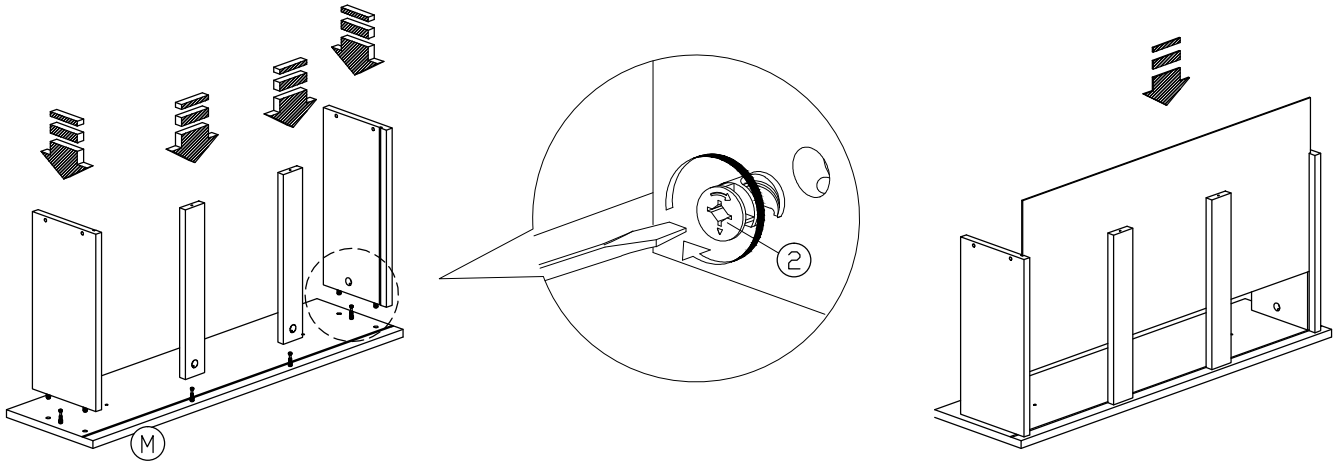


Assembly Instruction

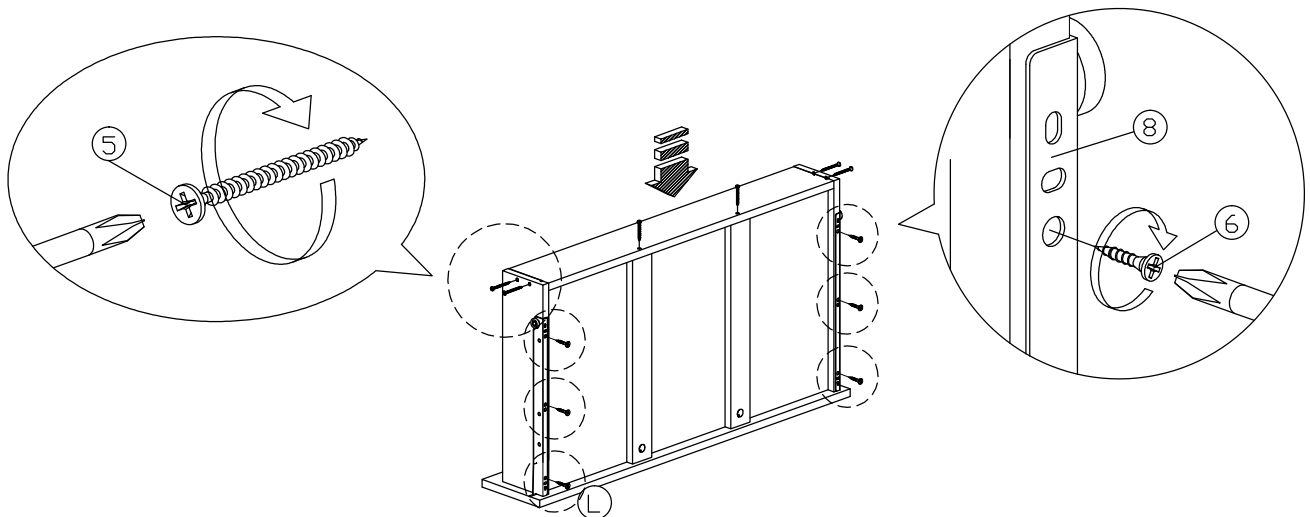
Step 11



Step 12

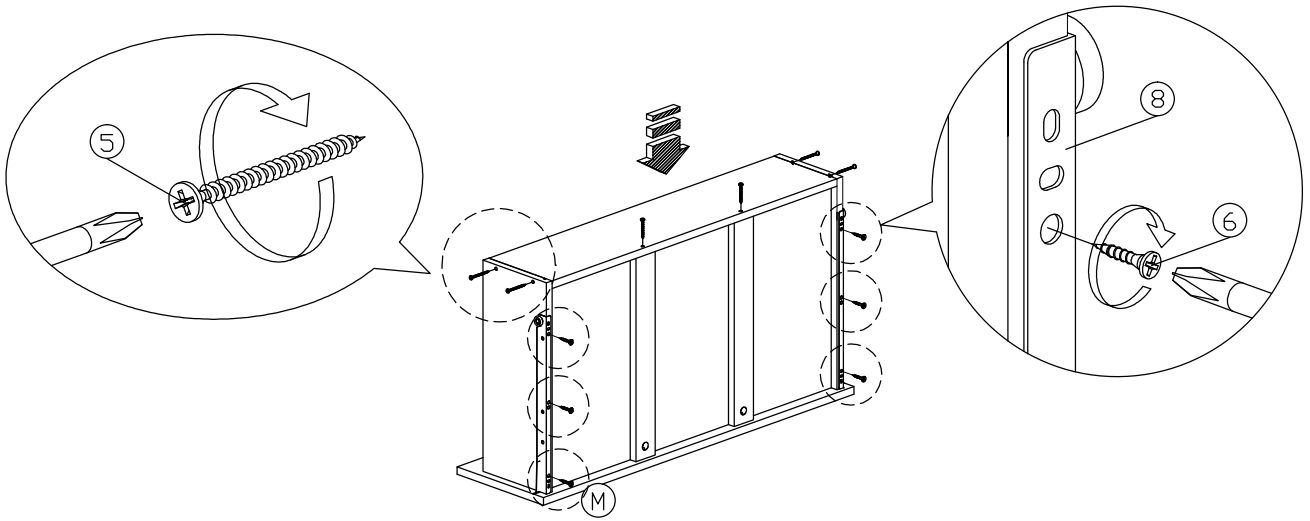


Step 13

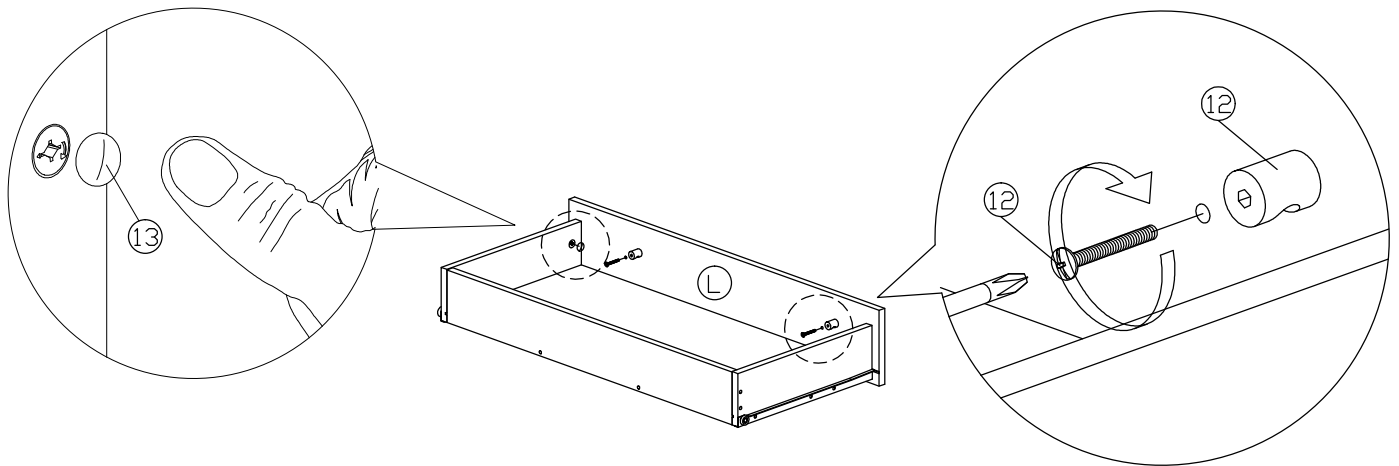


Assembly Instruction

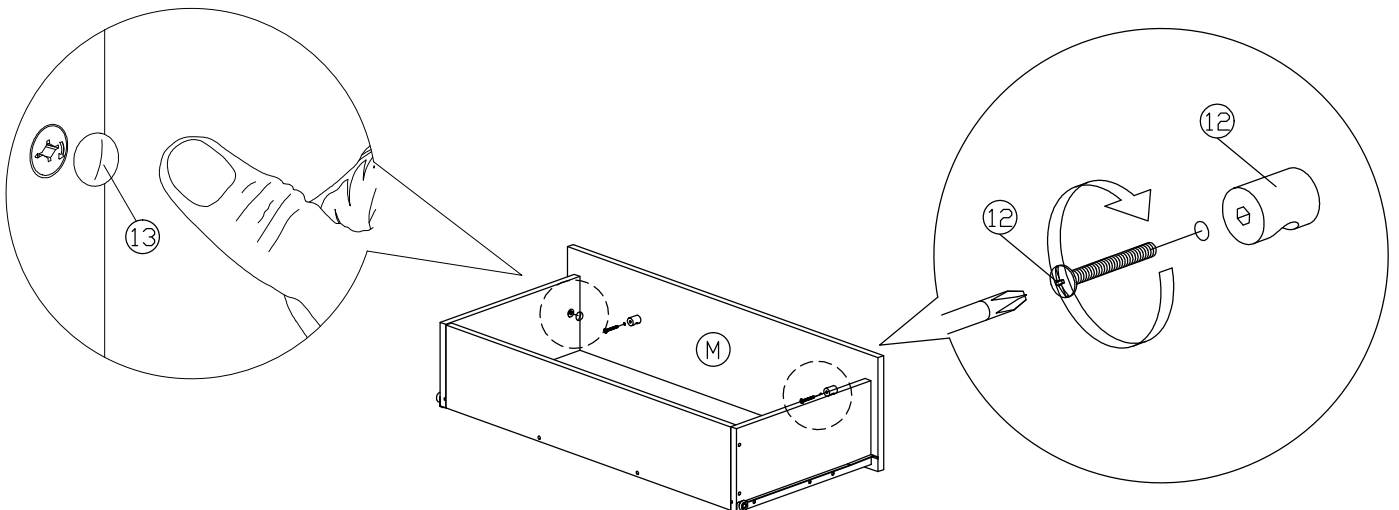
Step 14



Step 15

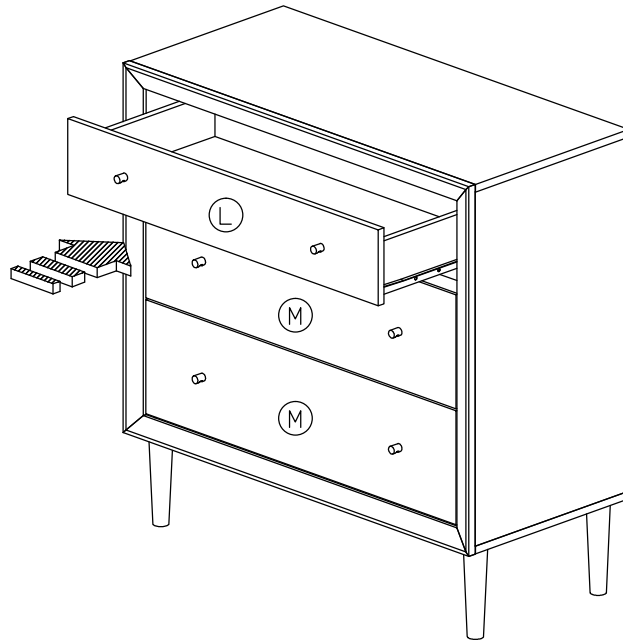


Step 16

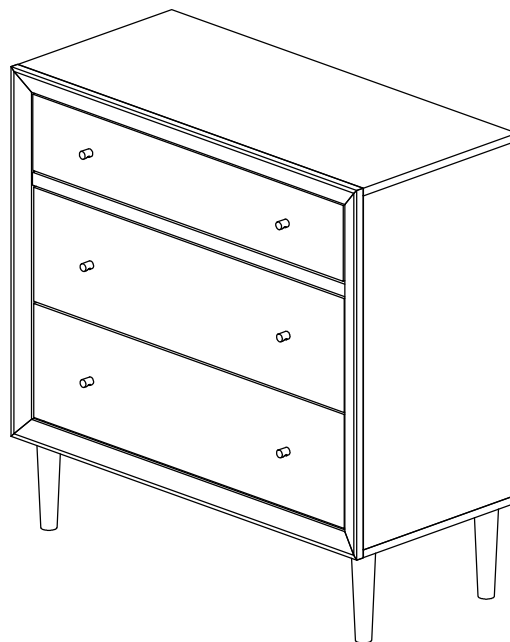


Assembly Instruction

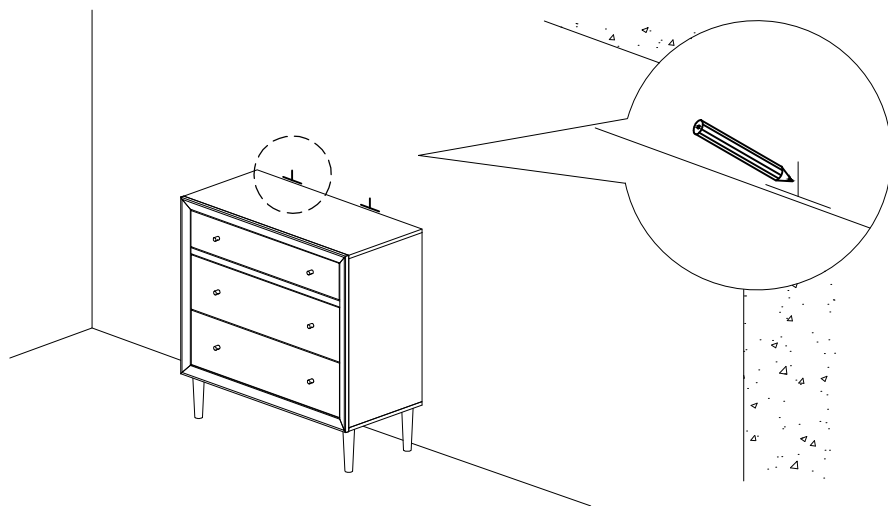
Step 17



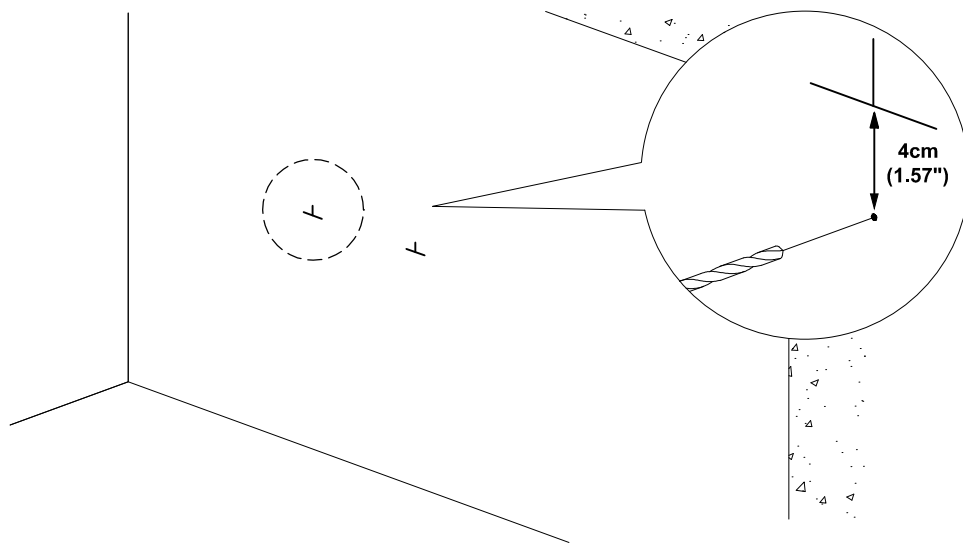
Step 18



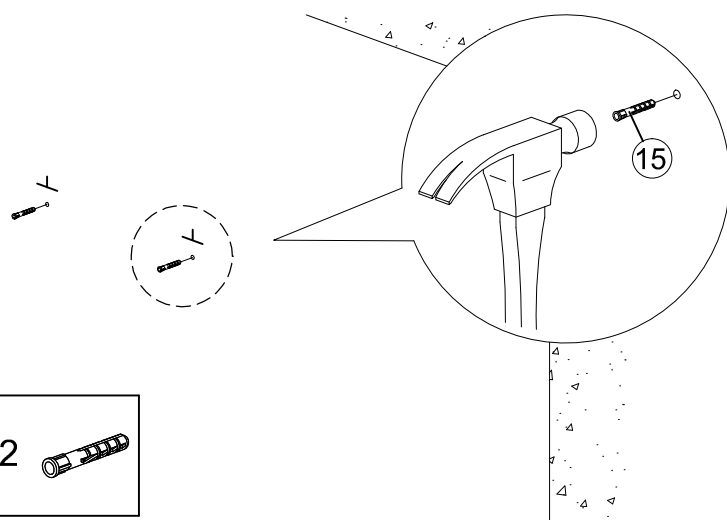
FURNITURE TIPPING RESTRAINT



1. First mark the wall with pencil as in diagram.



2. Drill small hole at the pencil mark.

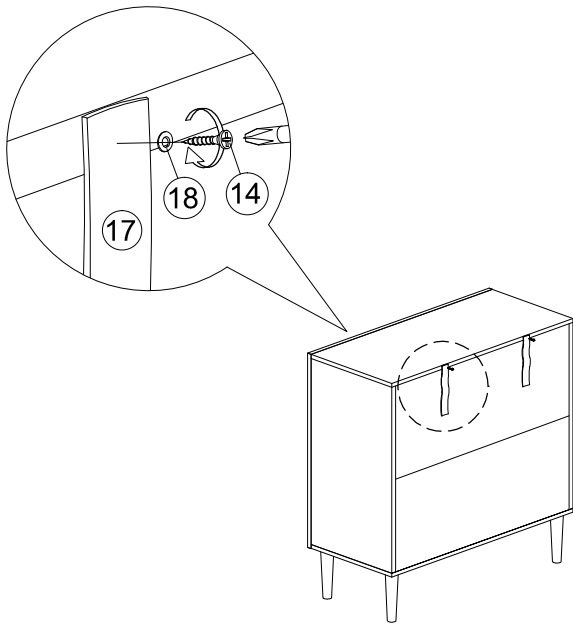


3. Insert plastic wall plug (15).

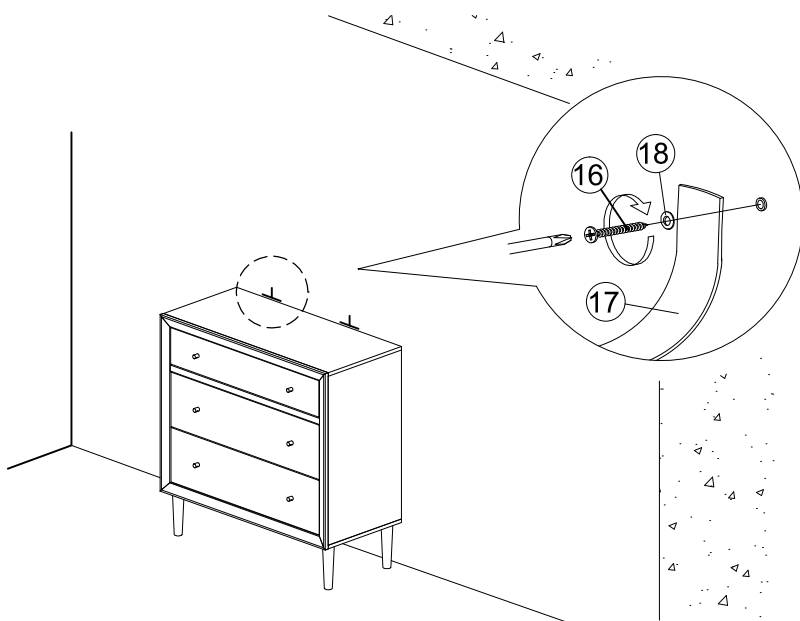
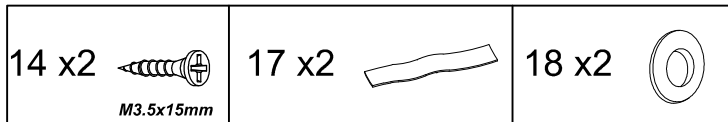
15 x2



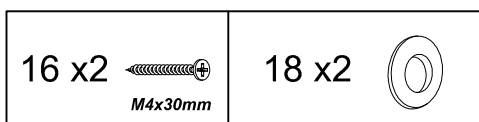
FURNITURE TIPPING RESTRAINT

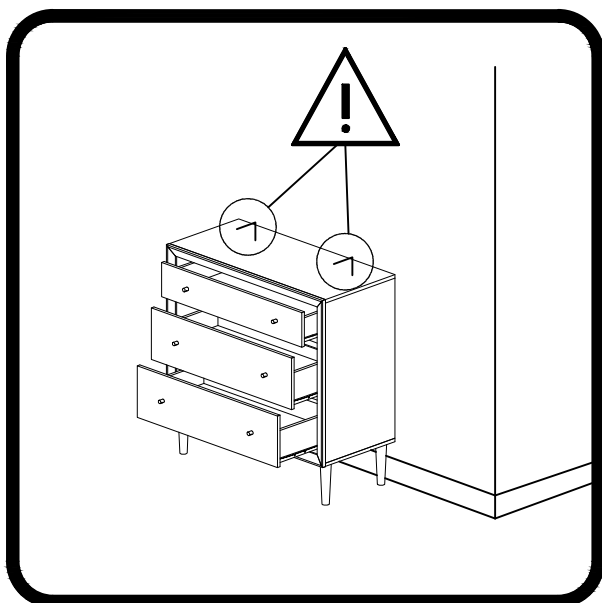


4. Add safety strap (17), washer (18) using 3.5x15mm screw (14) to back of cabinet.



5. Finally, attach safety strap (17) and washer (18) using 4x30mm screw (16) to the wall.





⚠ WARNING	
	<p>Serious or fatal crushing injuries can occur from furniture tip-over. To help prevent tip-over:</p> <ul style="list-style-type: none">• Install tipover restraint provided.• Place heaviest items in the lowest drawers.• Do not set TV's or other heavy objects on top of this product, unless the product is specifically designed to accommodate them.• Never allow children to climb or hang on drawers, doors, or shelves.• Never open more than one drawer at a time. <p>(OR)</p> <ul style="list-style-type: none">• Do not defeat or remove the drawer interlock system. <p>Use of tip-over restraints may only reduce, but not eliminate, the risk of tip-over.</p> <p><i>This is a permanent label. Do not remove!</i></p>



Anti-Topple hardware included for added safety and stability