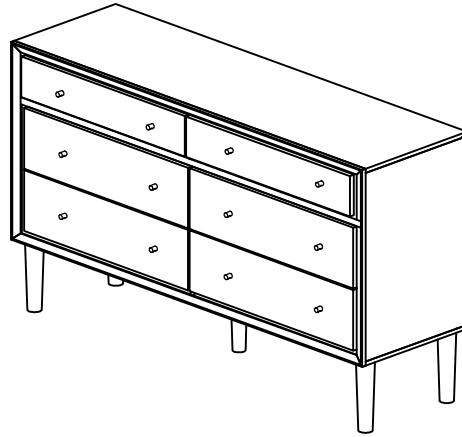
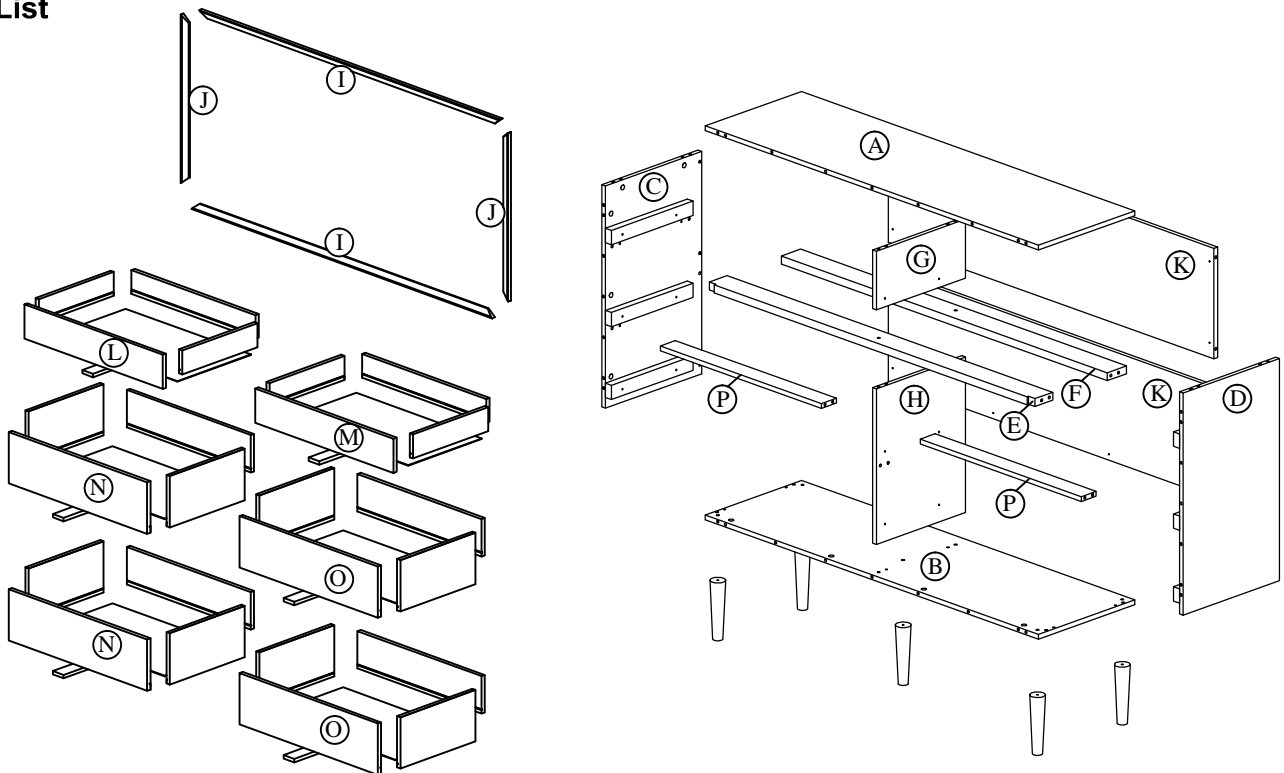


# Assembly Instruction

Model : WI6781



## Part List



<i>Hardware List</i>			
No.	SHAPE	DESCRIPTION	Qty.
1		<b>8x25mm Wood Dowel</b>	68Pcs
2		<b>15MM Myfix Minifix</b>	46Sets
3		<b>M5x38mm Screw</b>	6Pcs
4		<b>M6x40mm "W"</b>	5Pcs
5		<b>M4x38mm Screw</b>	30Pcs
6		<b>M3.5x15mm Screw</b>	60Pcs
7		<b>M5x8mm Screw (Euro Screw)</b>	24Pcs
8		<b>Drawer Slide 300mm</b>	6Sets
9		<b>Allen Key</b>	1Pc
10		<b>Wooden Leg (H 185mm) Ø46x30mm</b>	5Pcs

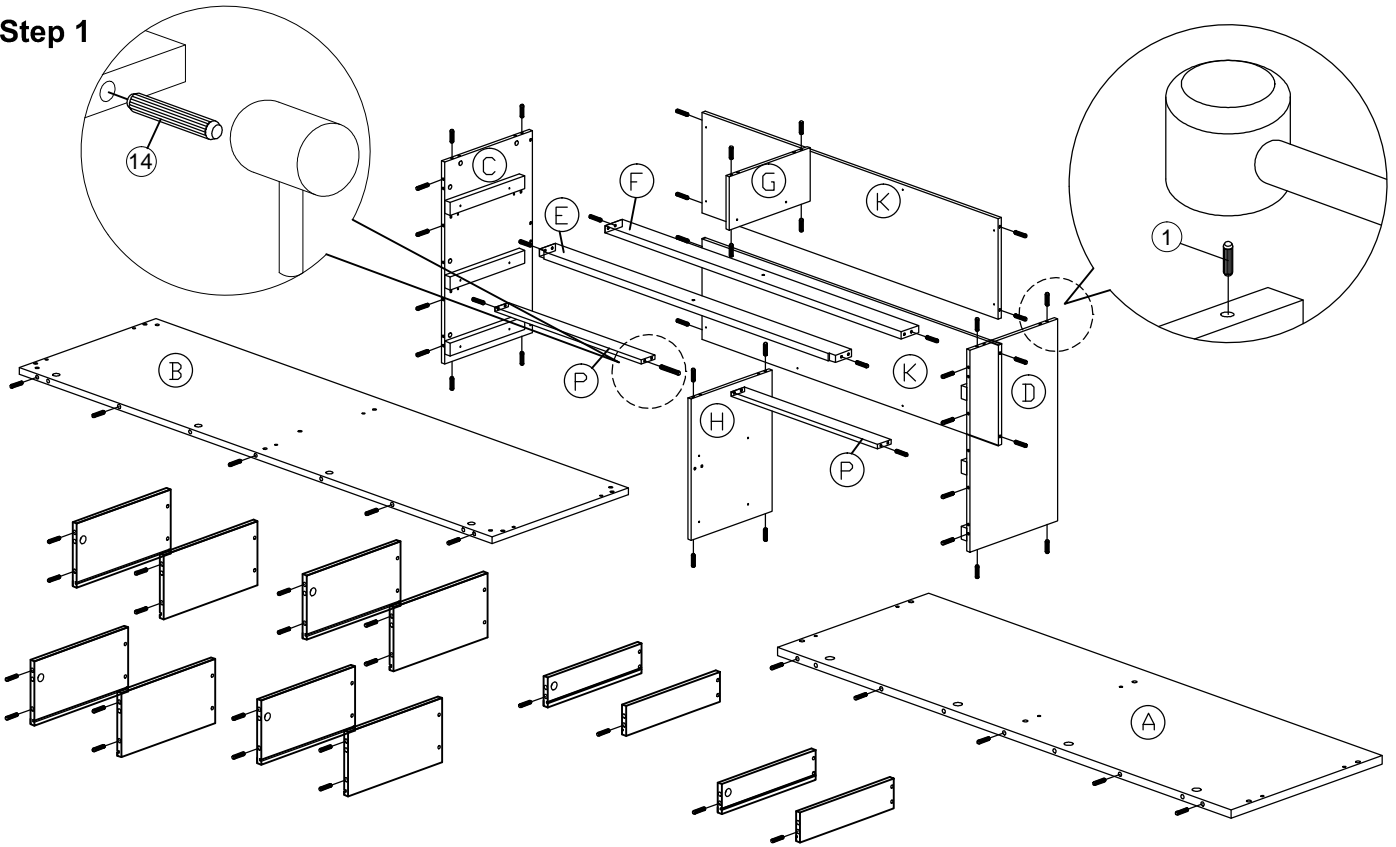
11		<b>L Bracket</b>	12Pcs
12		<b>Handle Wood Ø15x20mm Handle Screw (M4 x25mm)</b>	12sets
13		<b>Minifix Cap</b>	12Pcs
14		<b>8x40mm Wood Dowel</b>	1Pc
15		<b>15MM Myfix Minifix</b>	1Pc

## Packing Tipping Restraint

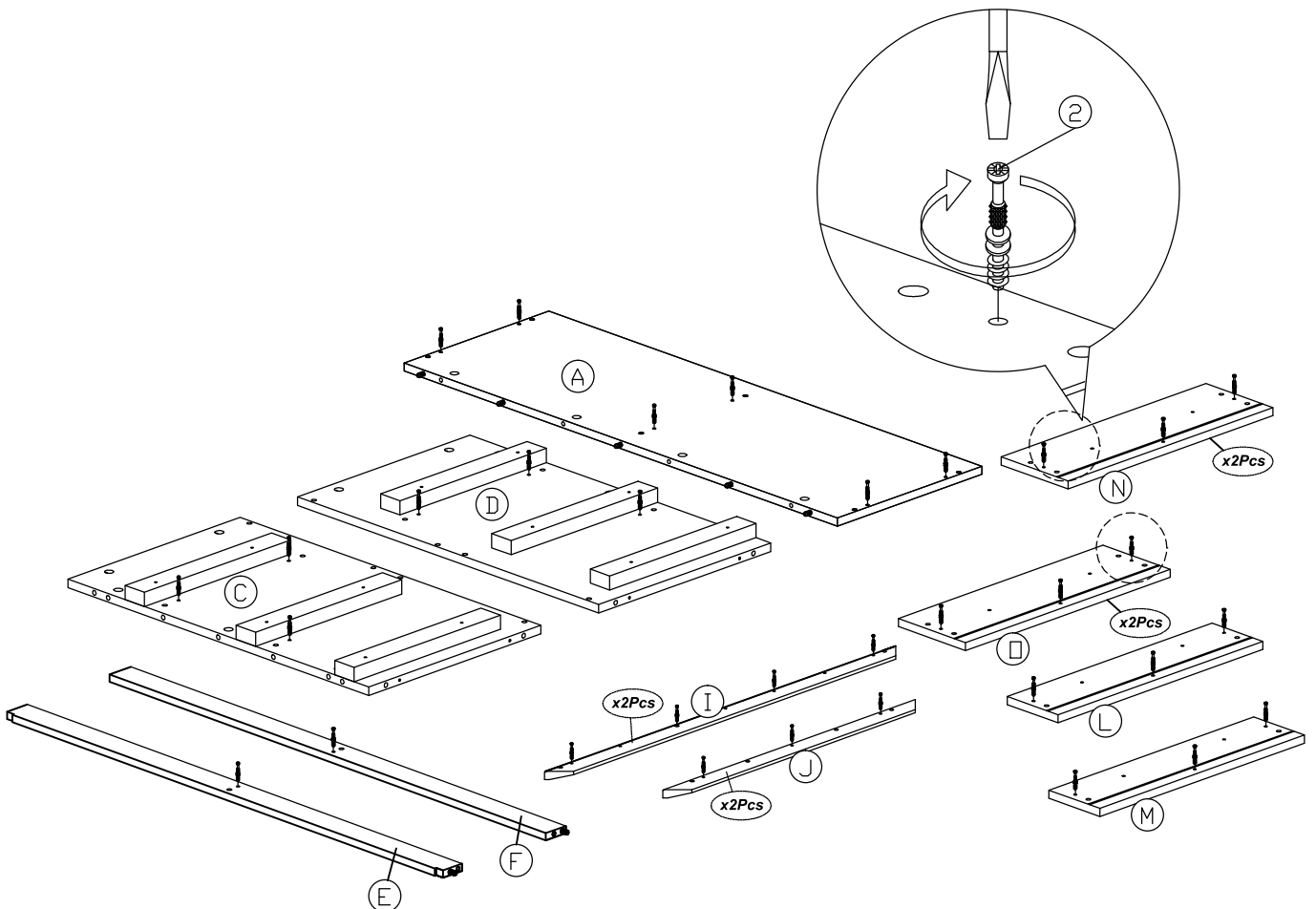
16		<b>Wall Plug</b>	2Pcs
17		<b>M4x30mm Screw</b>	2Pcs
18		<b>Safety Strap</b>	2Pcs
19		<b>Flat Washer 6x19x2mm</b>	4Pcs
20		<b>M3.5x15mm Screw</b>	2Pcs

# Assembly Instruction

## Step 1

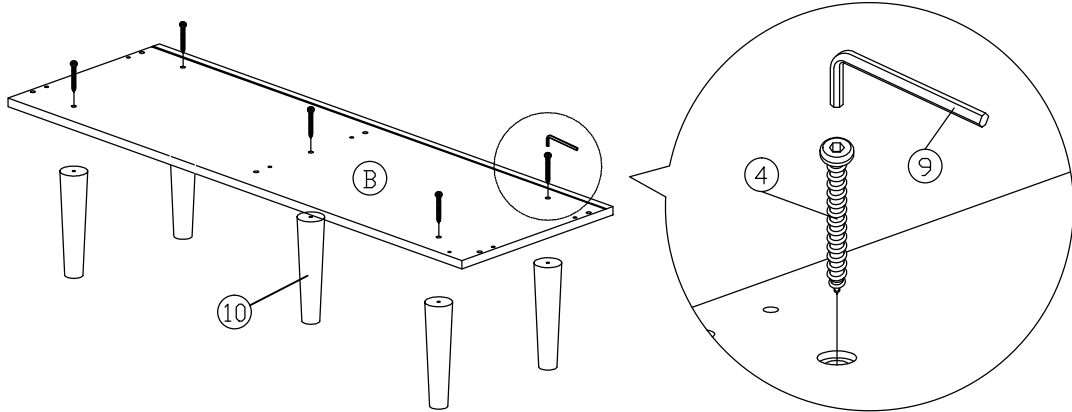


## Step 2

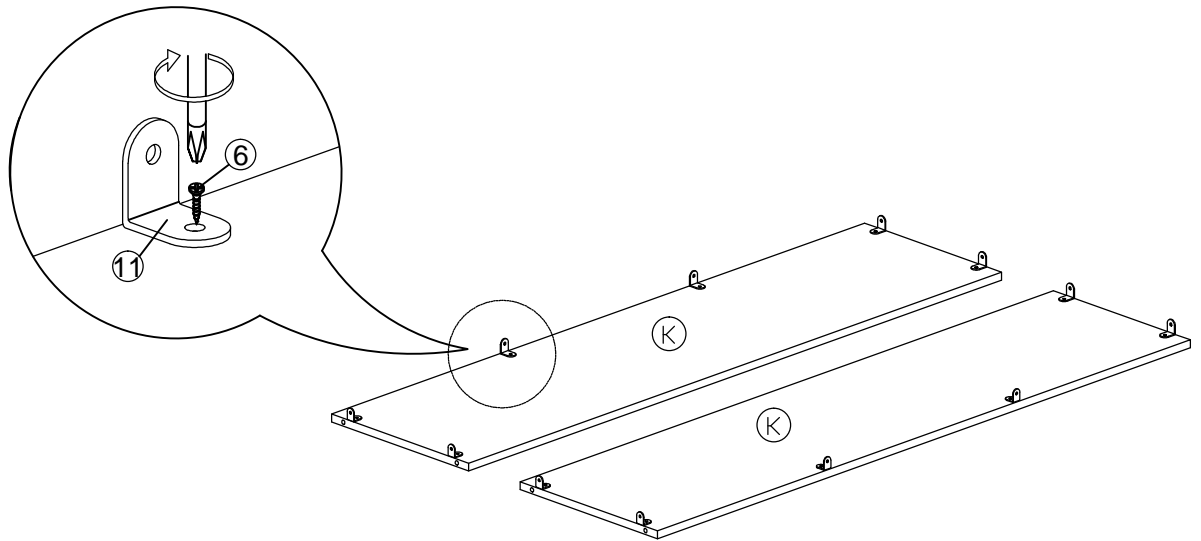


# Assembly Instruction

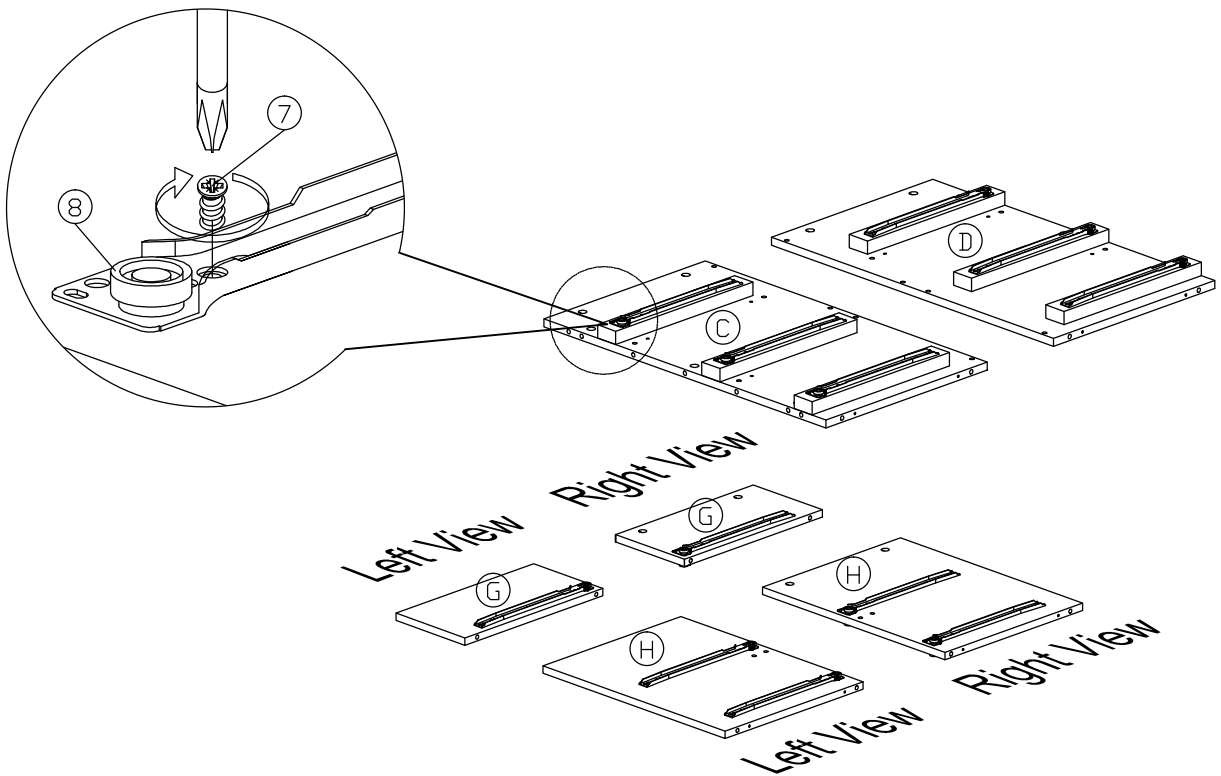
## Step 3



## Step 4

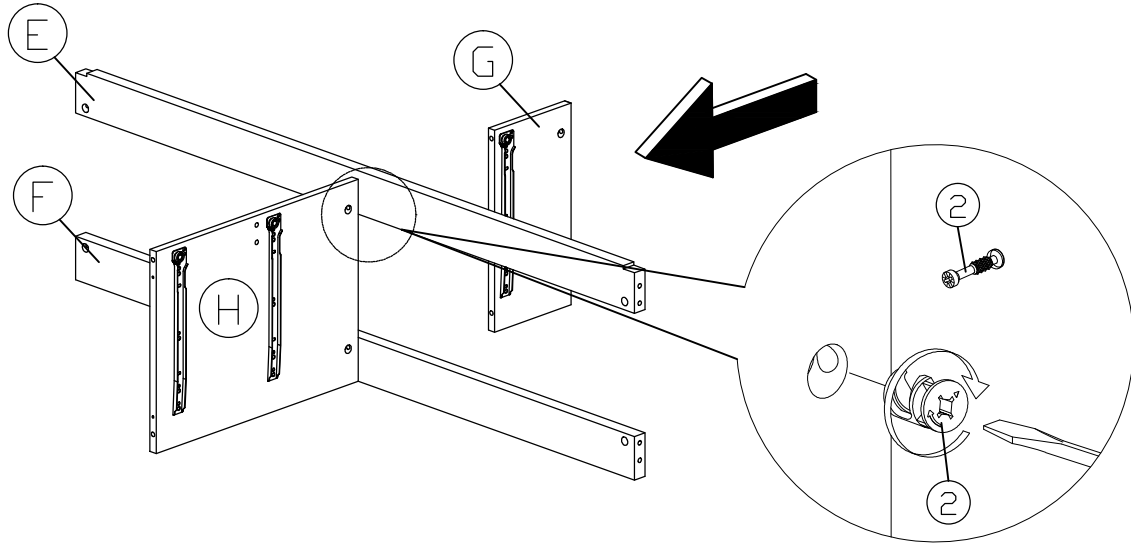


## Step 5

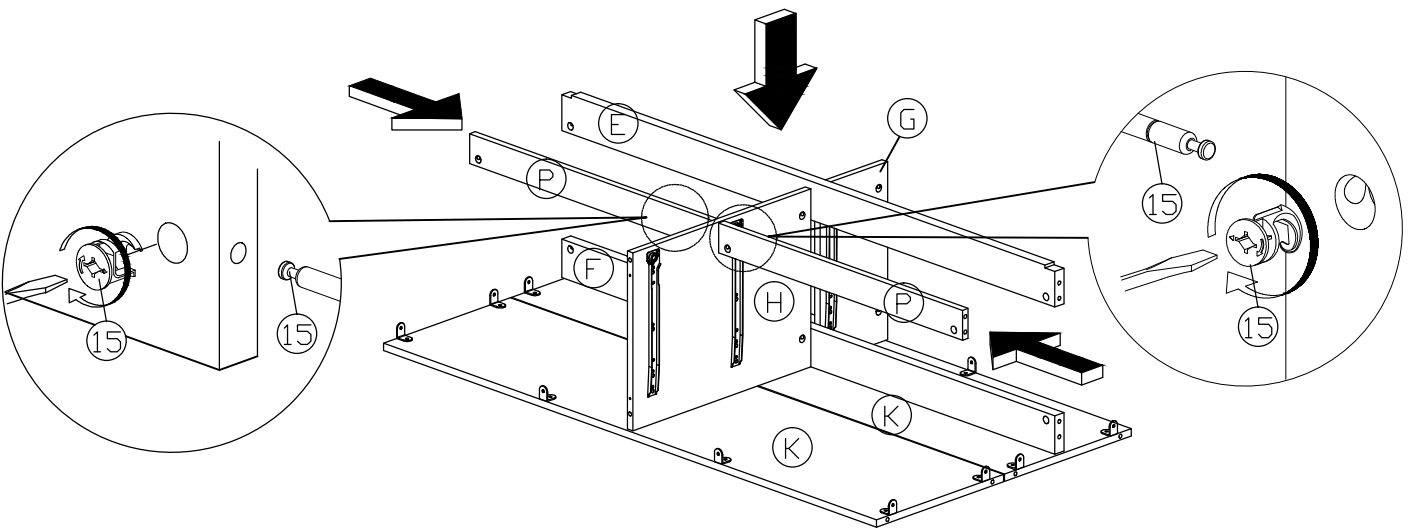


# Assembly Instruction

## Step 6

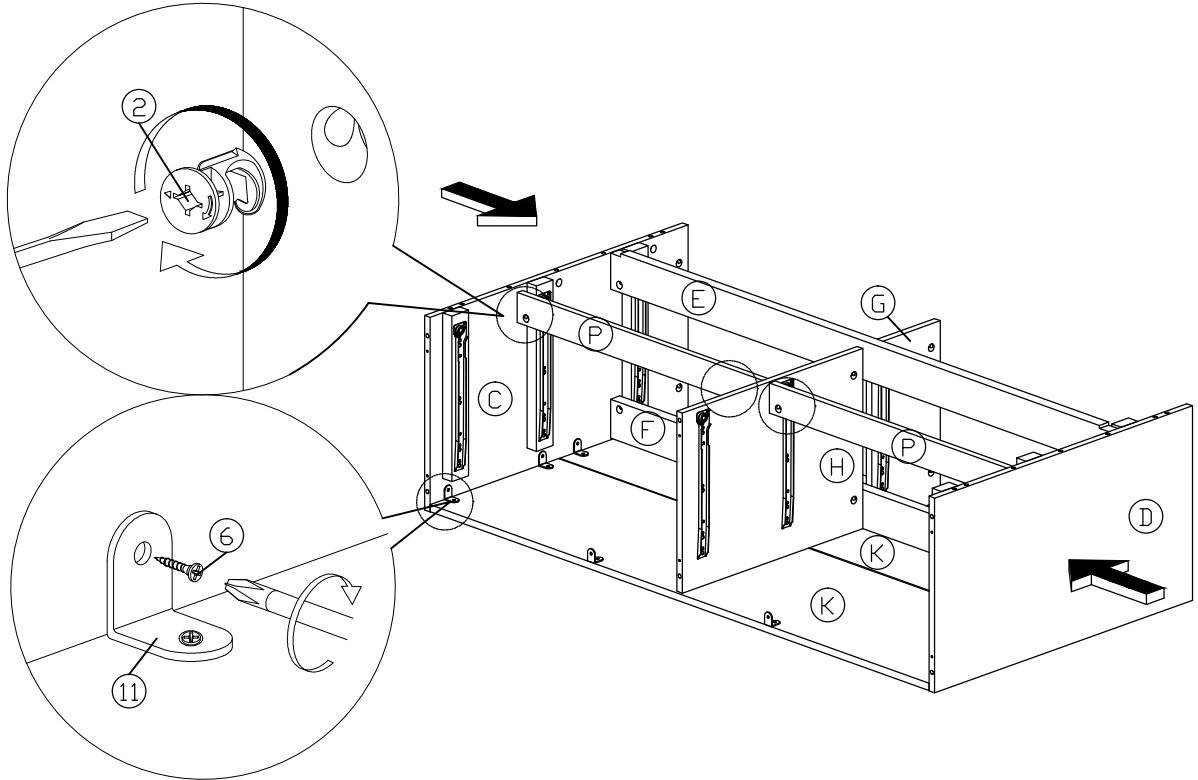


## Step 7

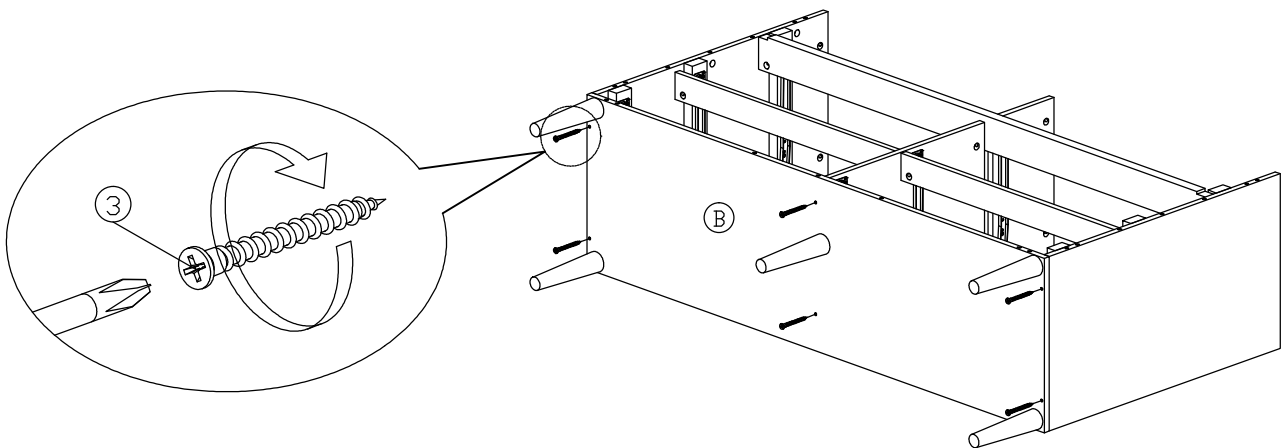


# Assembly Instruction

## Step 8

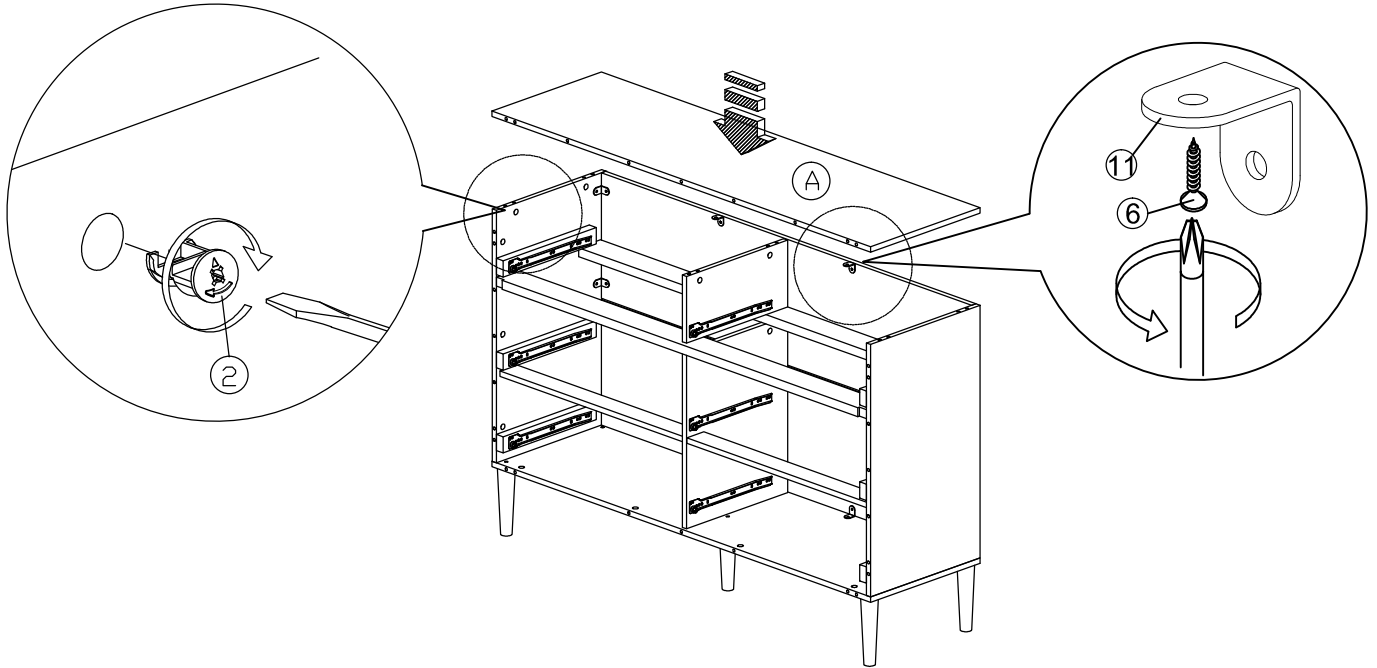


## Step 9

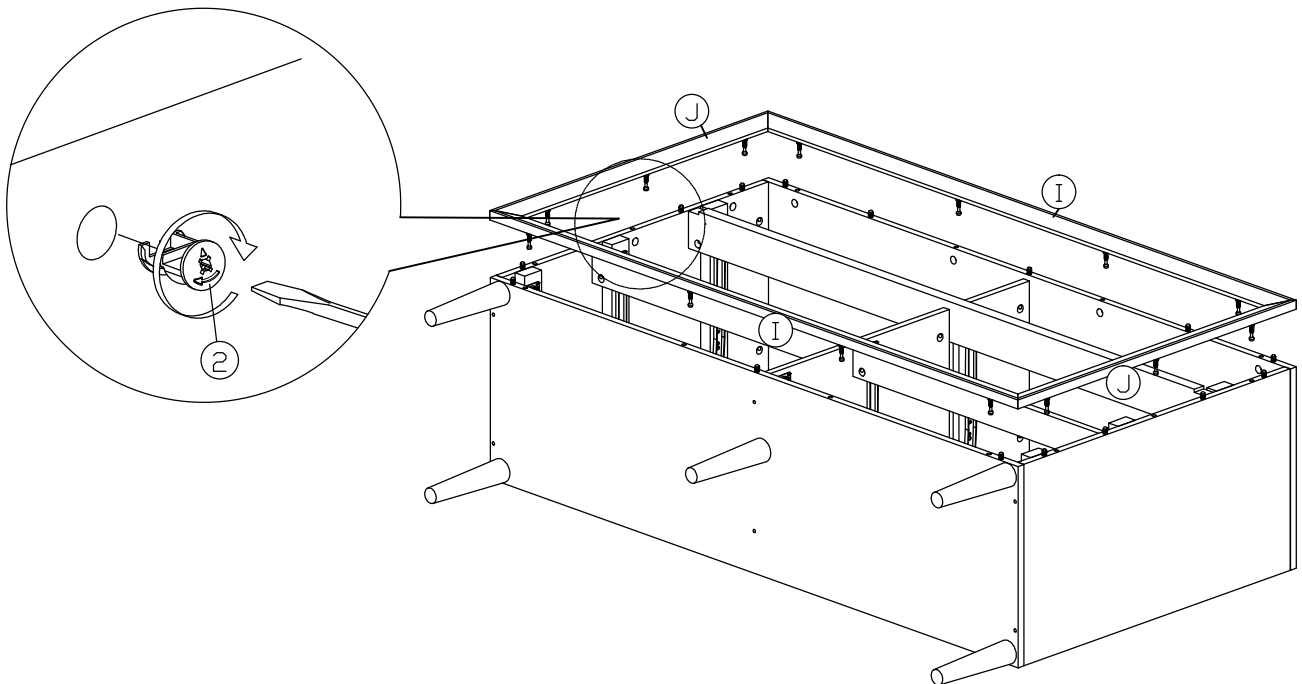


# Assembly Instruction

## Step 10

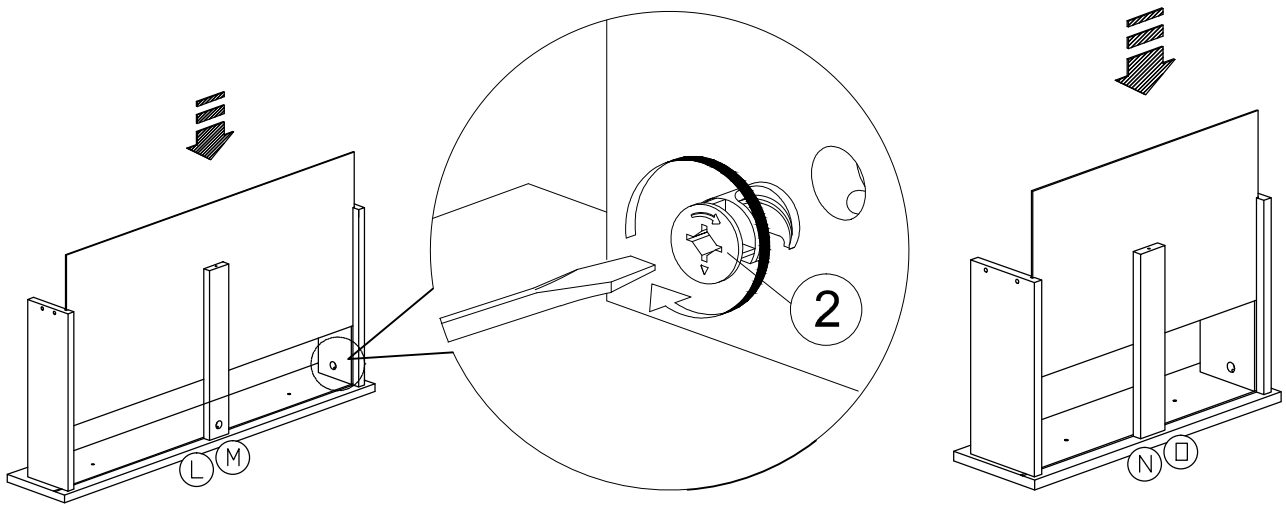


## Step 11

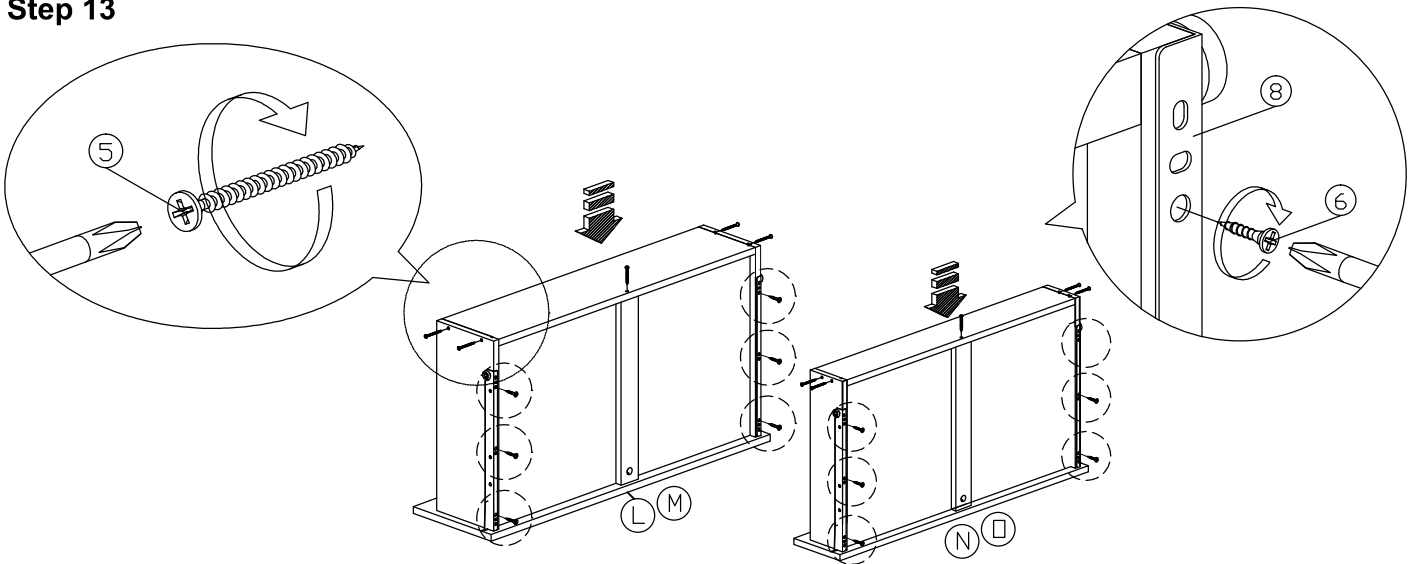


# Assembly Instruction

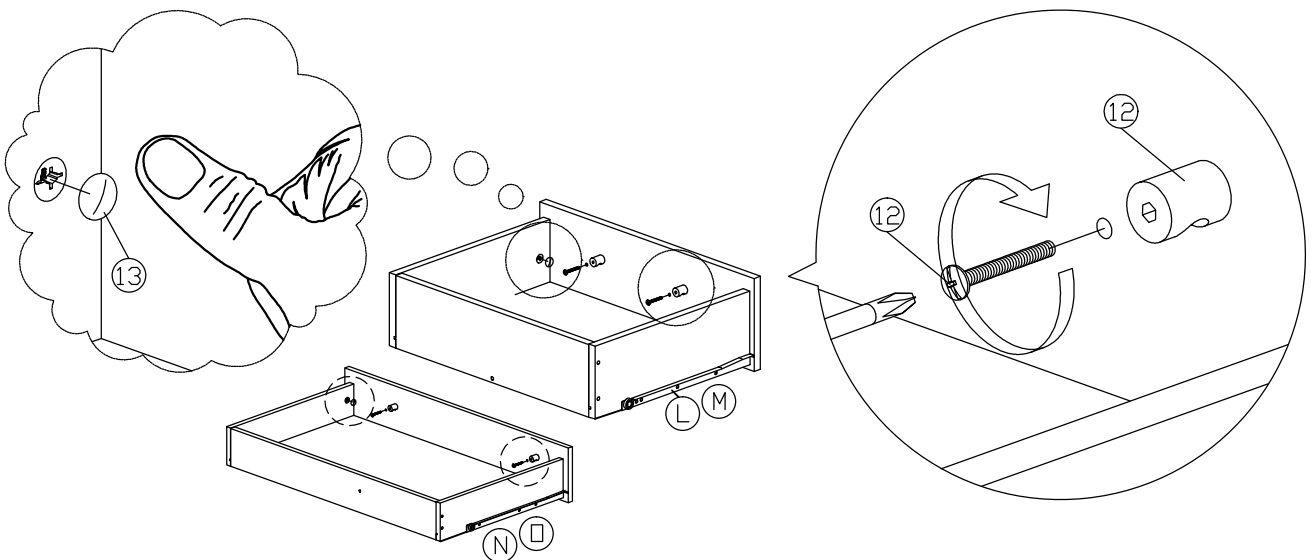
## Step 12



## Step 13

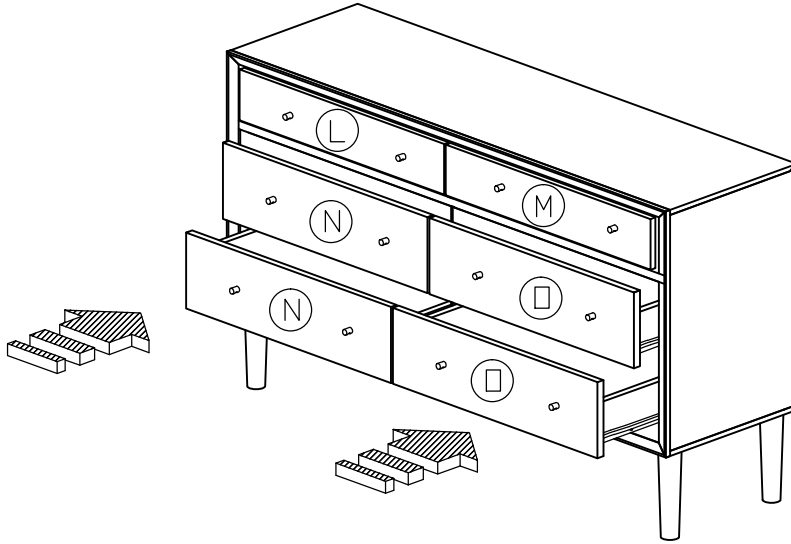


## Step 14

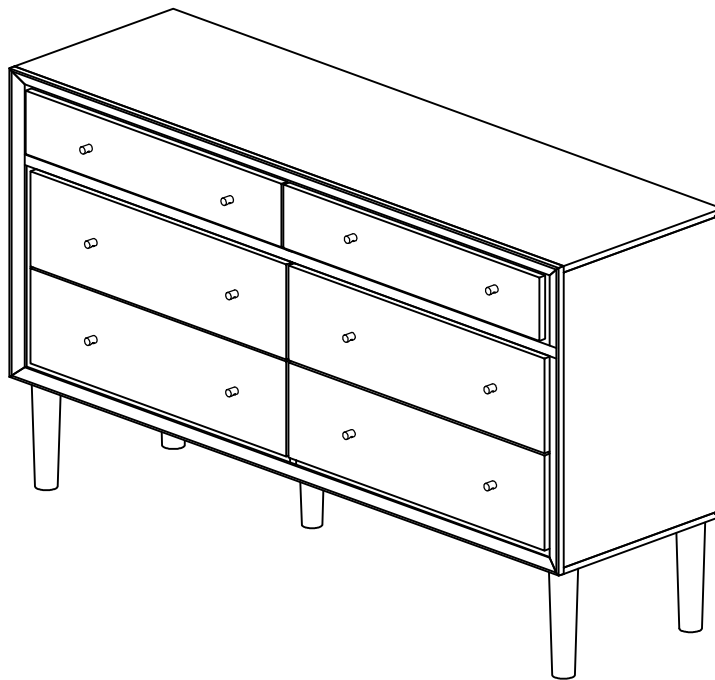


# Assembly Instruction

## Step 15

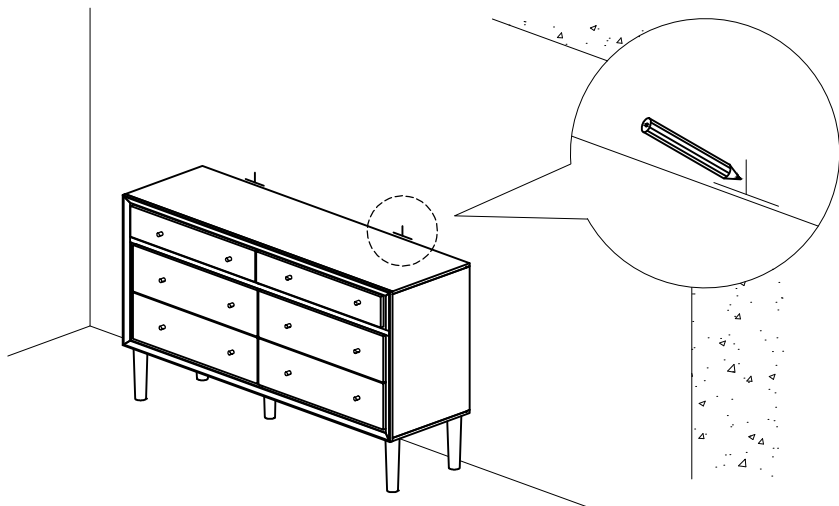


## Completed

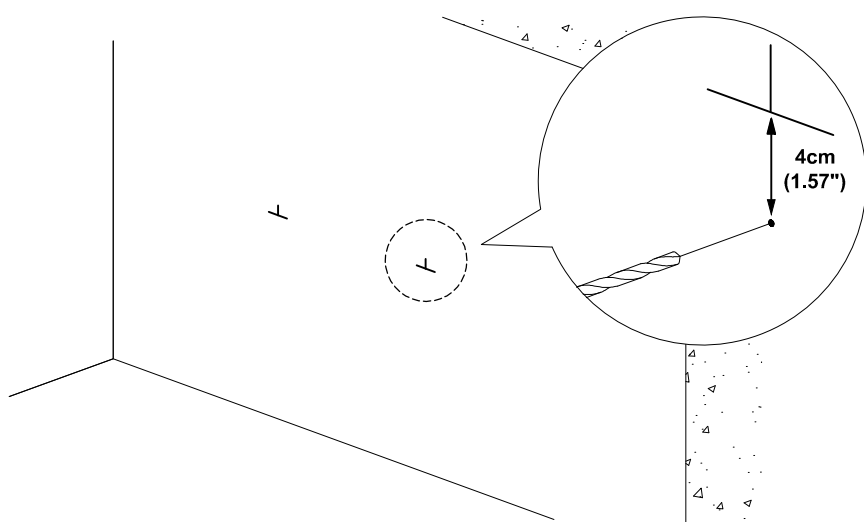




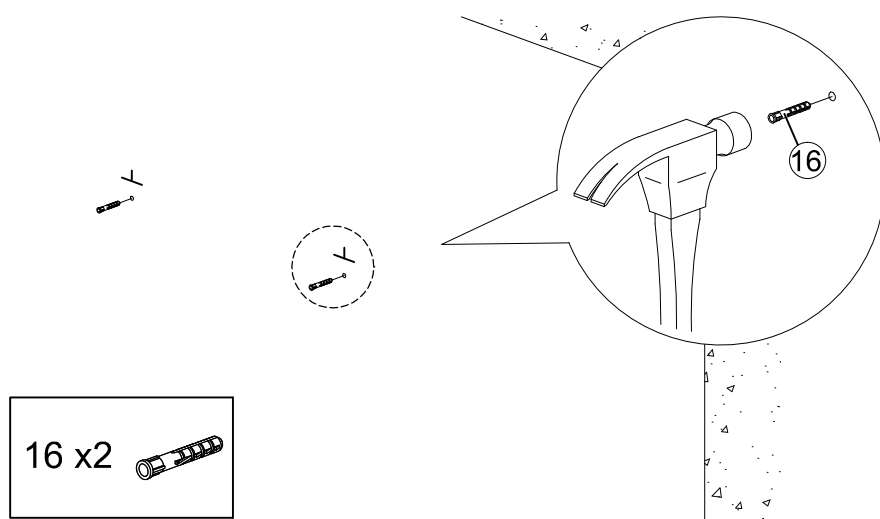
# FURNITURE TIPPING RESTRAINT



**1. First mark the wall with pencil as in diagram.**



**2. Drill small hole at the pencil mark.**

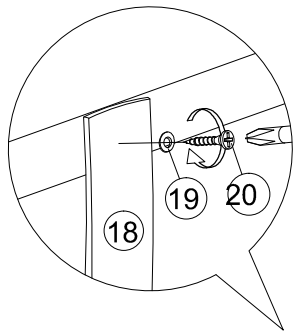


**3. Insert plastic wall plug (16).**

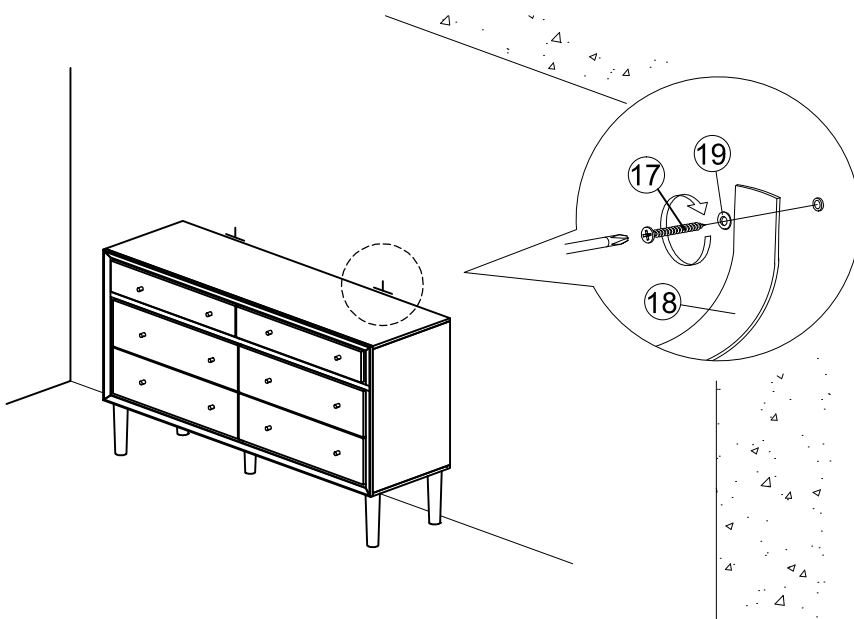
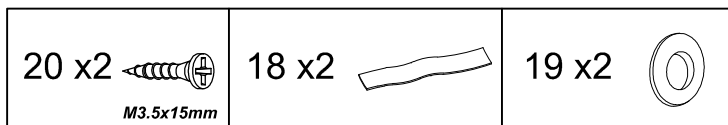
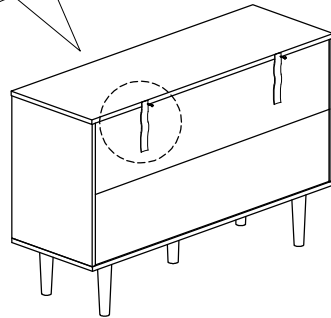
16 x 2



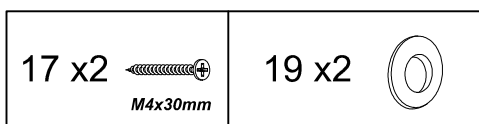
# FURNITURE TIPPING RESTRAINT

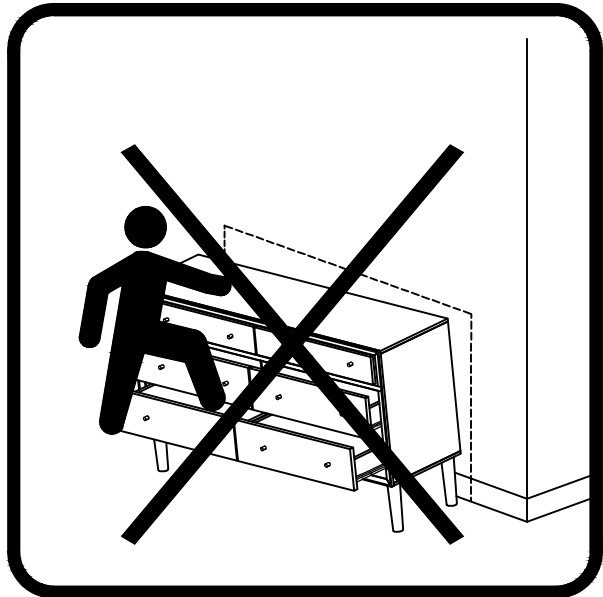
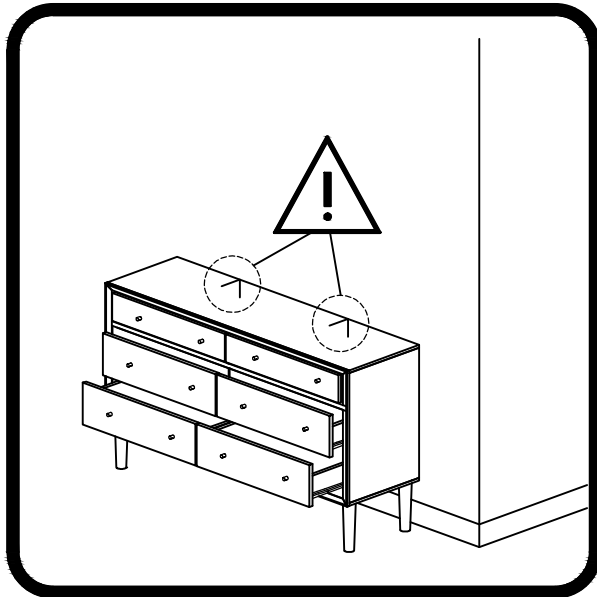



4. Add safety strap (18), washer (19) using 3.5x15mm screw (20) to back of cabinet.



5. Finally, attach safety strap (18) and washer (19) using 4x30mm screw (17) to the wall.





<b>⚠ WARNING</b>	
	<b>Serious or fatal crushing injuries can occur from furniture tip-over. To help prevent tip-over:</b>
	<ul style="list-style-type: none"><li>• Install tipover restraint provided.</li><li>• Place heaviest items in the lowest drawers.</li><li>• Do not set TV's or other heavy objects on top of this product, unless the product is specifically designed to accommodate them.</li><li>• Never allow children to climb or hang on drawers, doors, or shelves.</li><li>• Never open more than one drawer at a time.</li></ul>
	<p>(OR)</p> <ul style="list-style-type: none"><li>• Do not defeat or remove the drawer interlock system.</li></ul> <p><b>Use of tip-over restraints may only reduce, but not eliminate, the risk of tip-over.</b></p> <p><i>This is a permanent label. Do not remove!</i></p>



**Anti-Topple hardware included for added safety and stability**