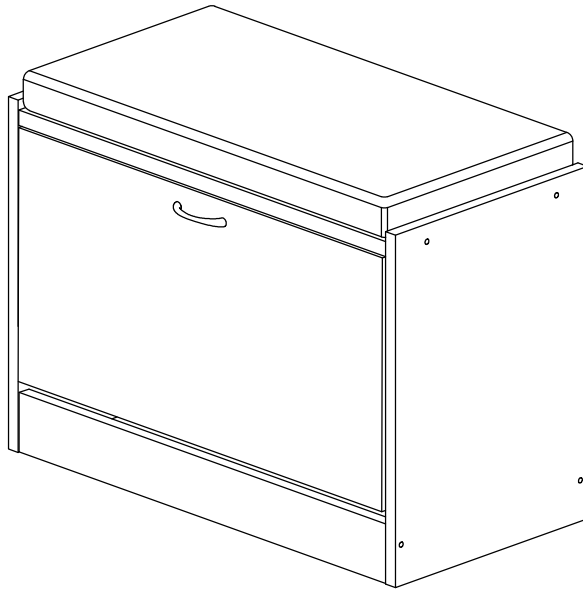


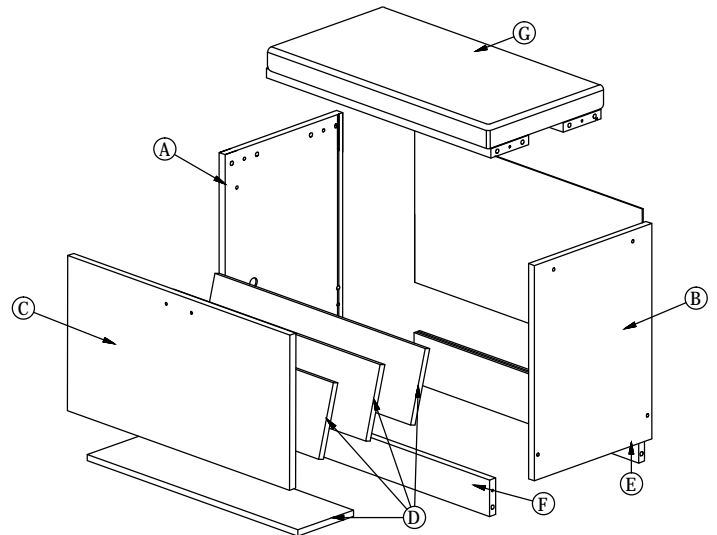
Assembly Instruction

Model : WI5375

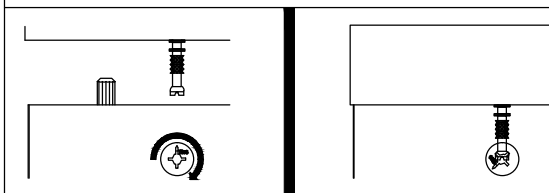


Part List

<i>Hardware List</i>			
No.	SHAPE	DESCRIPTION	Qty.
1		8x25mm Wood Dowel	14Pcs
2		M3.5x15mm	12Pcs
3		M3x16mm Screw	4Pcs
4		M5x38mm Screw	8Pcs
5		M3.5x20mm	2Pcs
6		3 Tray Shoe Rack	1Set
7		Nail Leg	4Pcs
8		Screw Cap	8Pcs
9		Z Bracket (Big)	2Pcs
10		Handle C Shape M3.6x20mm Screw	1Sets

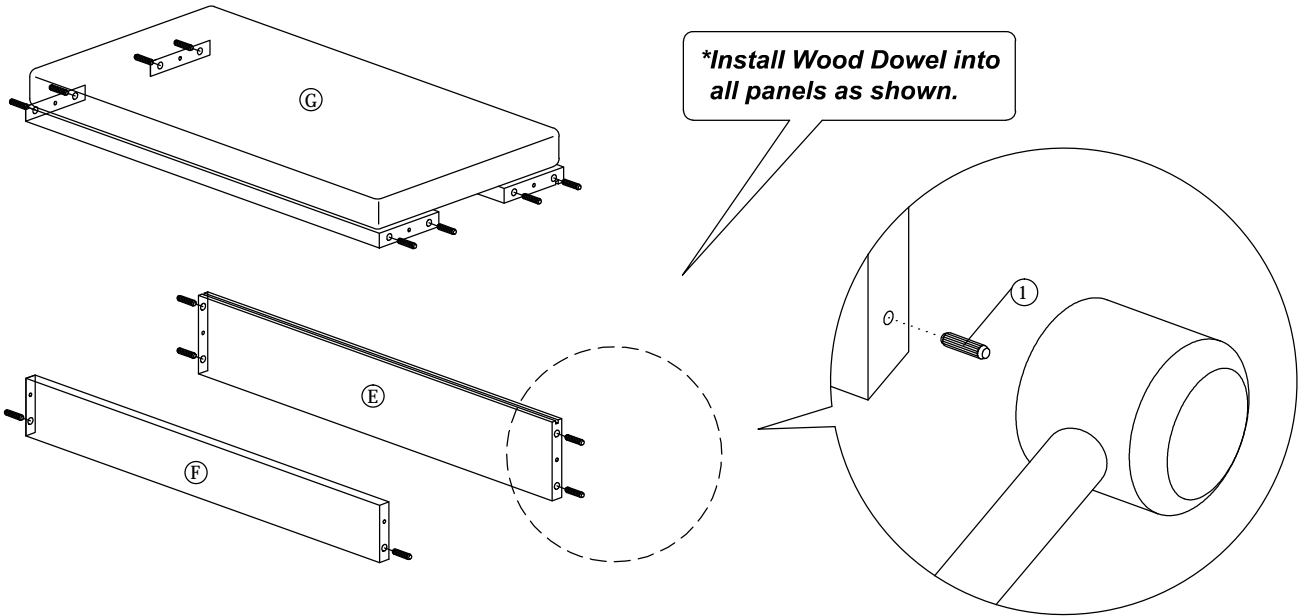


Dowel / Cam - Lock Installation

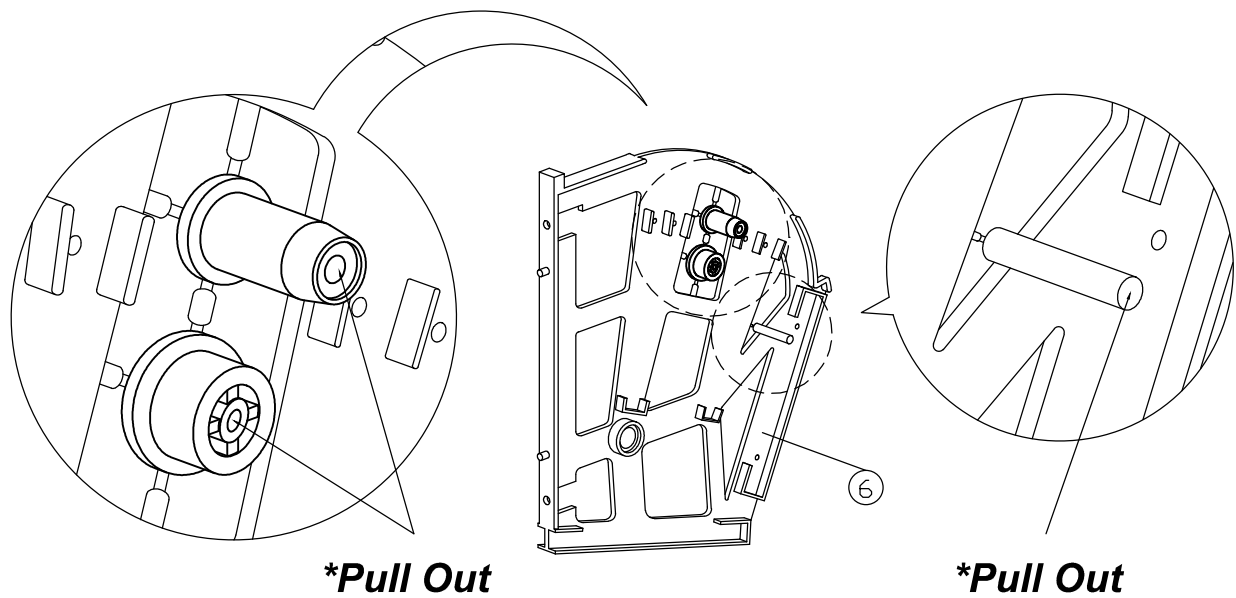


Assembly Instruction

Step 1

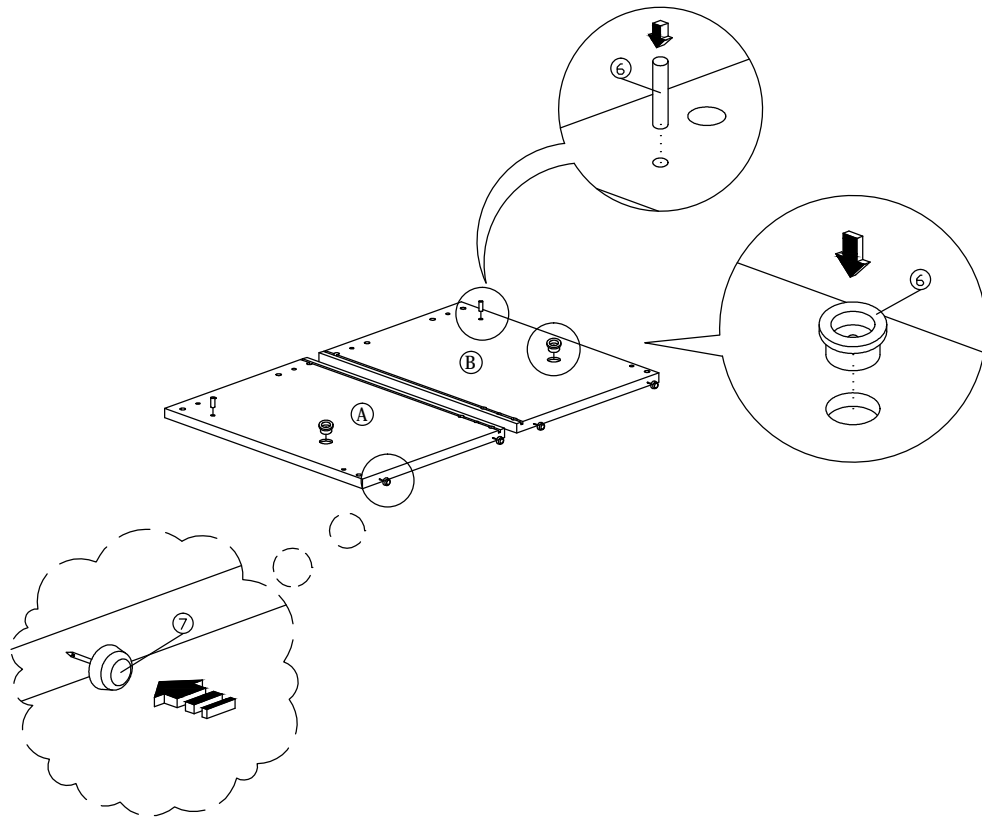


Step 2

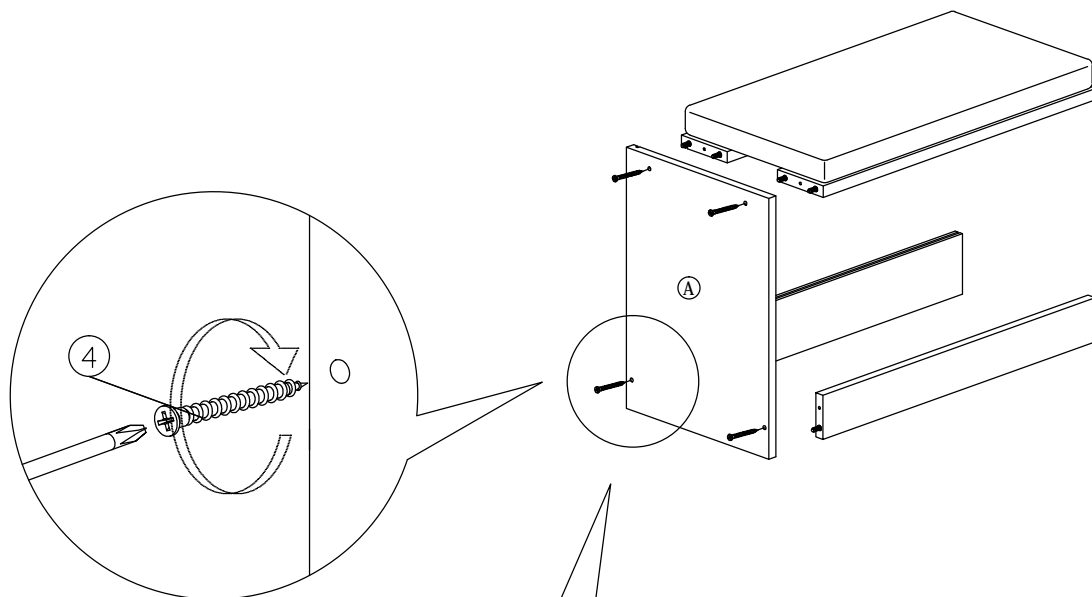


Assembly Instruction

Step 3



Step 4

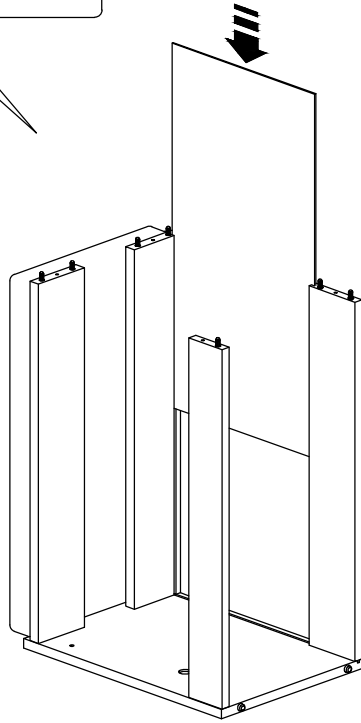


**Assemble panels, secure with screw as shown.*

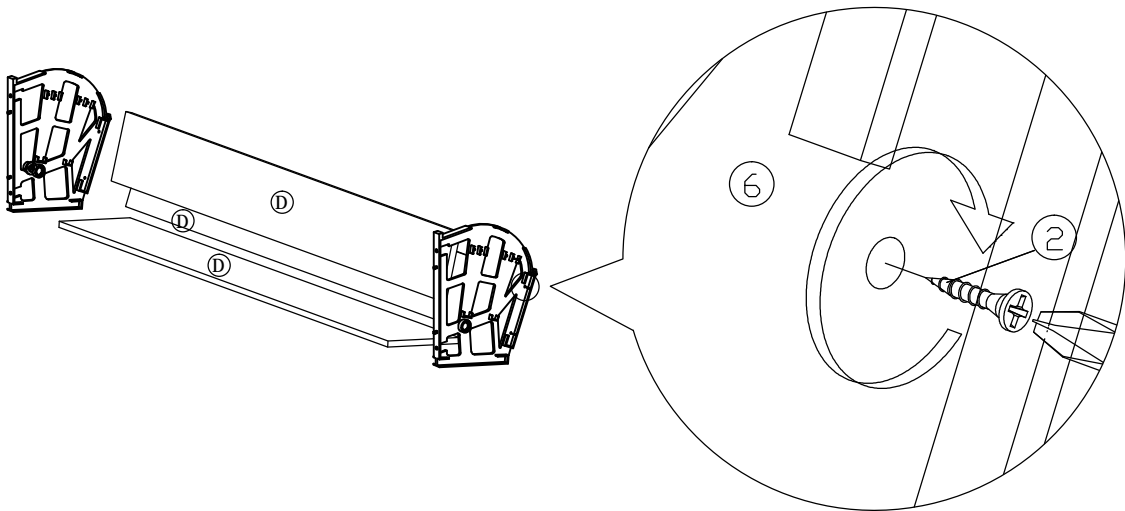
Assembly Instruction

Step 5

**Assemble all panels, secure with Minifix as shown below.*

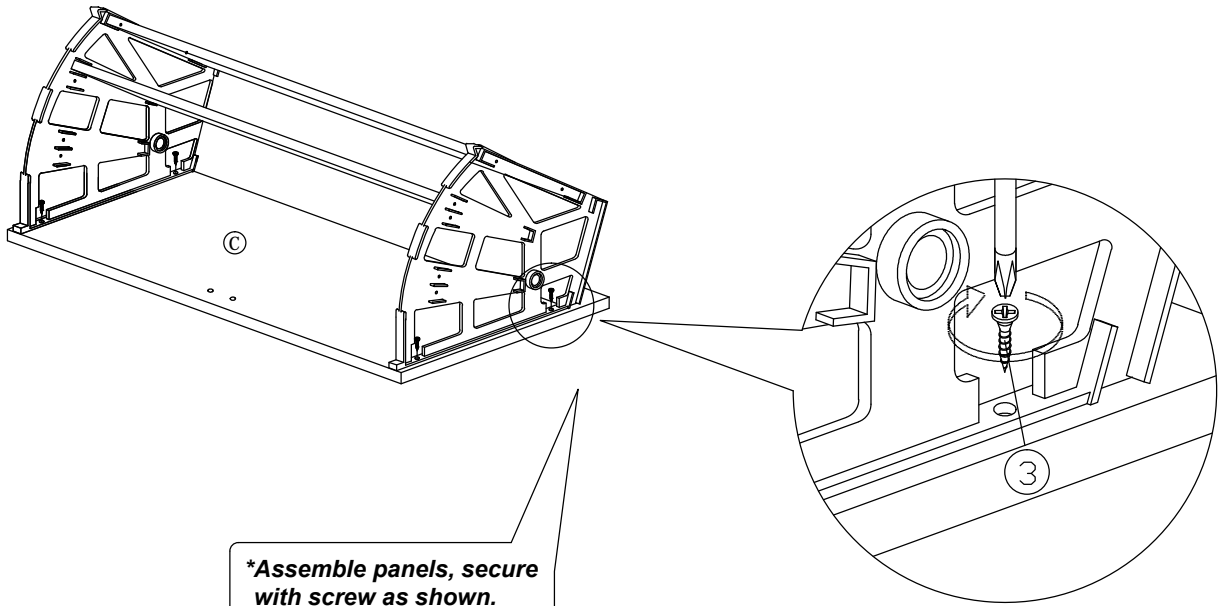


Step 6

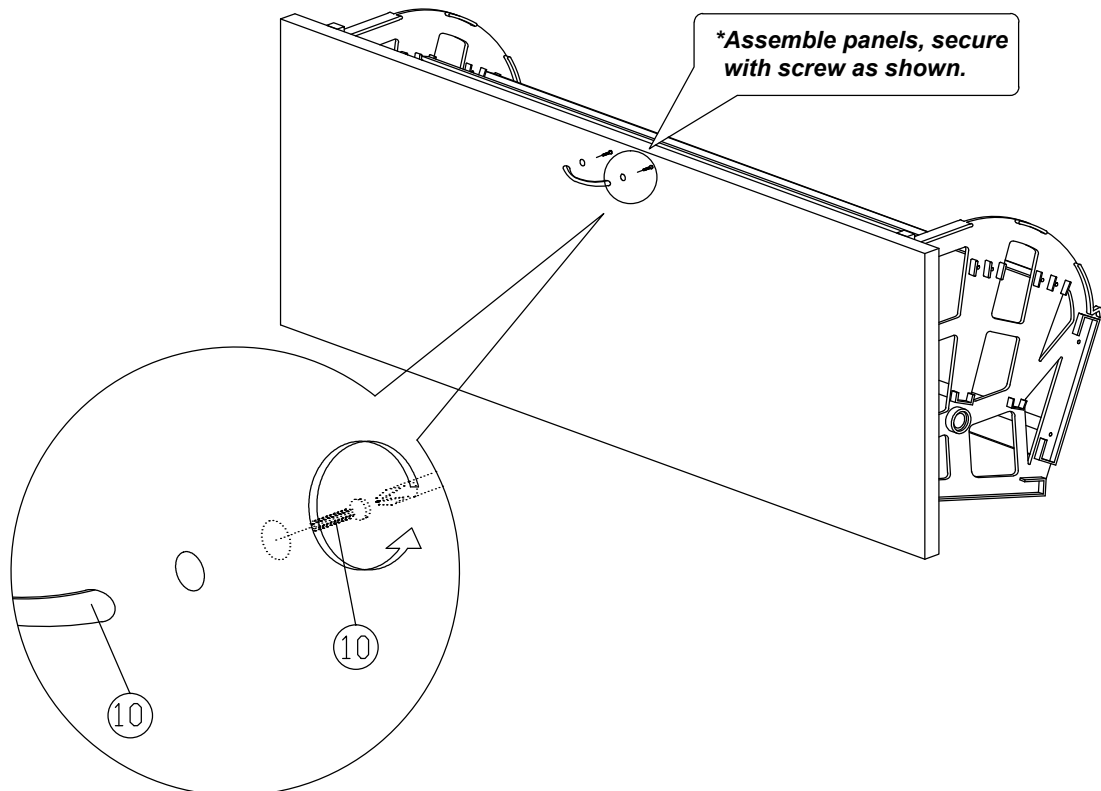


Assembly Instruction

Step 7



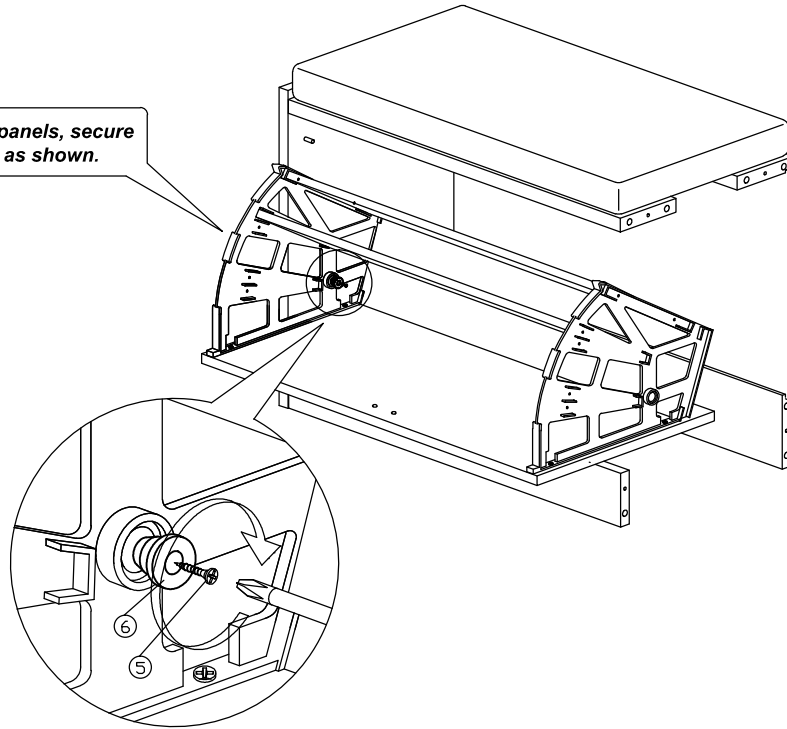
Step 8



Assembly Instruction

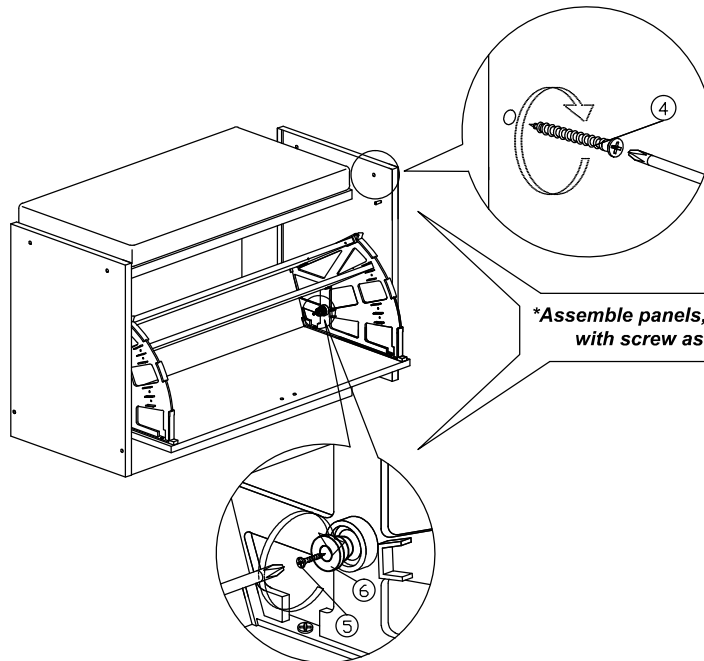
Step 9

**Assemble panels, secure with screw as shown.*



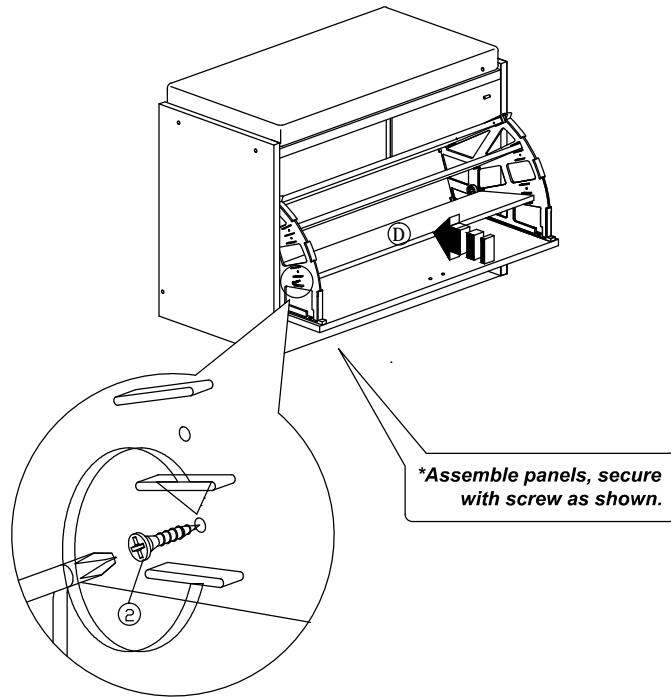
Step 10

**Assemble panels, secure with screw as shown.*

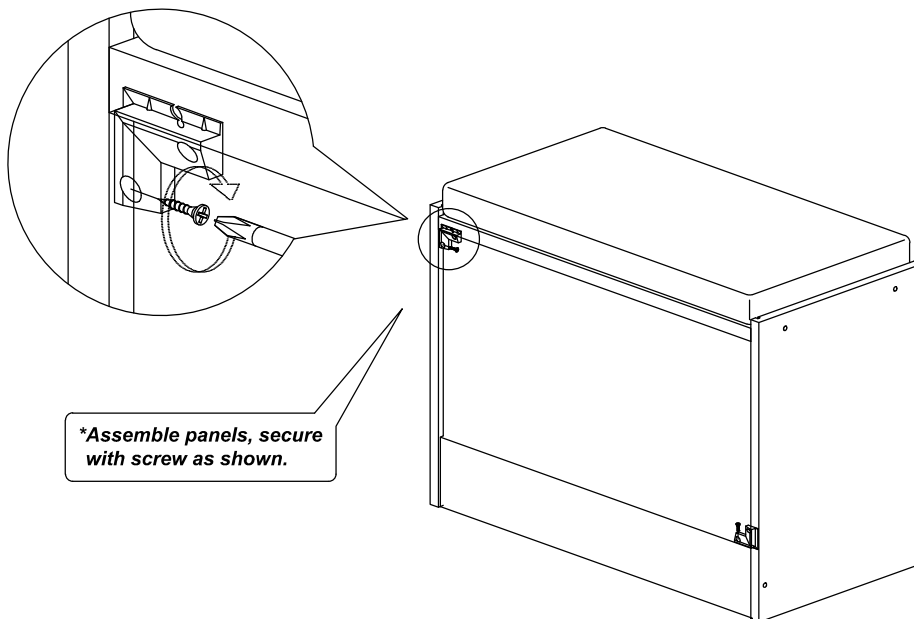


Assembly Instruction

Step 11

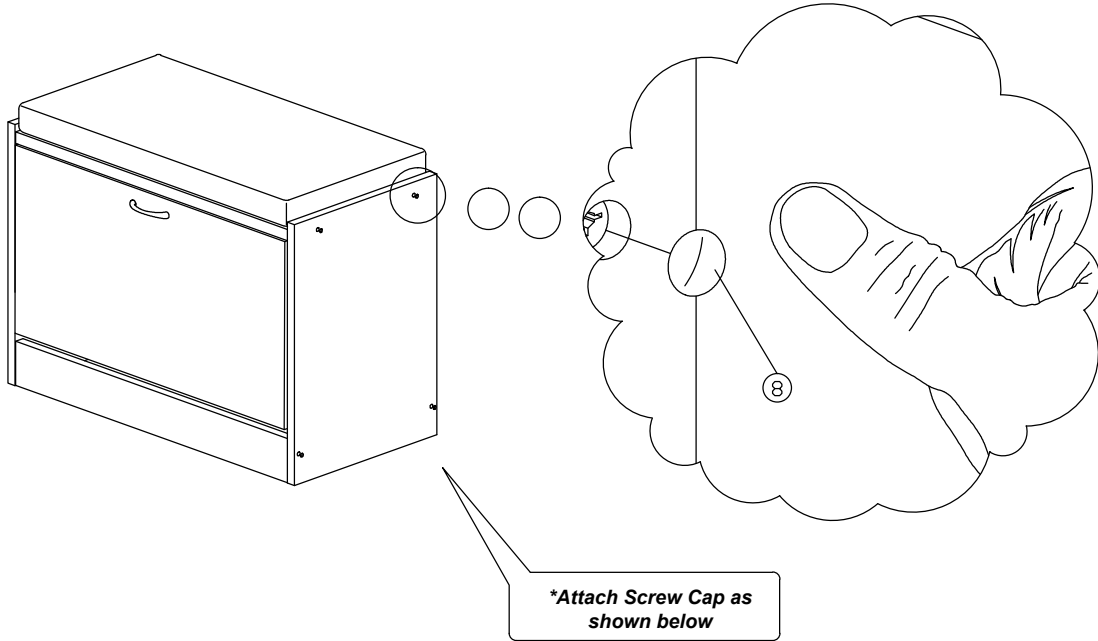


Step 12



Assembly Instruction

Step 13



Completed

