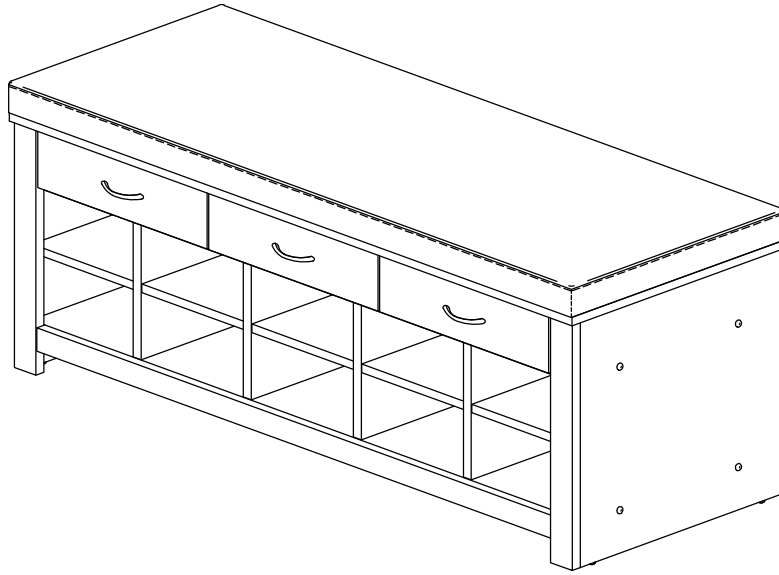
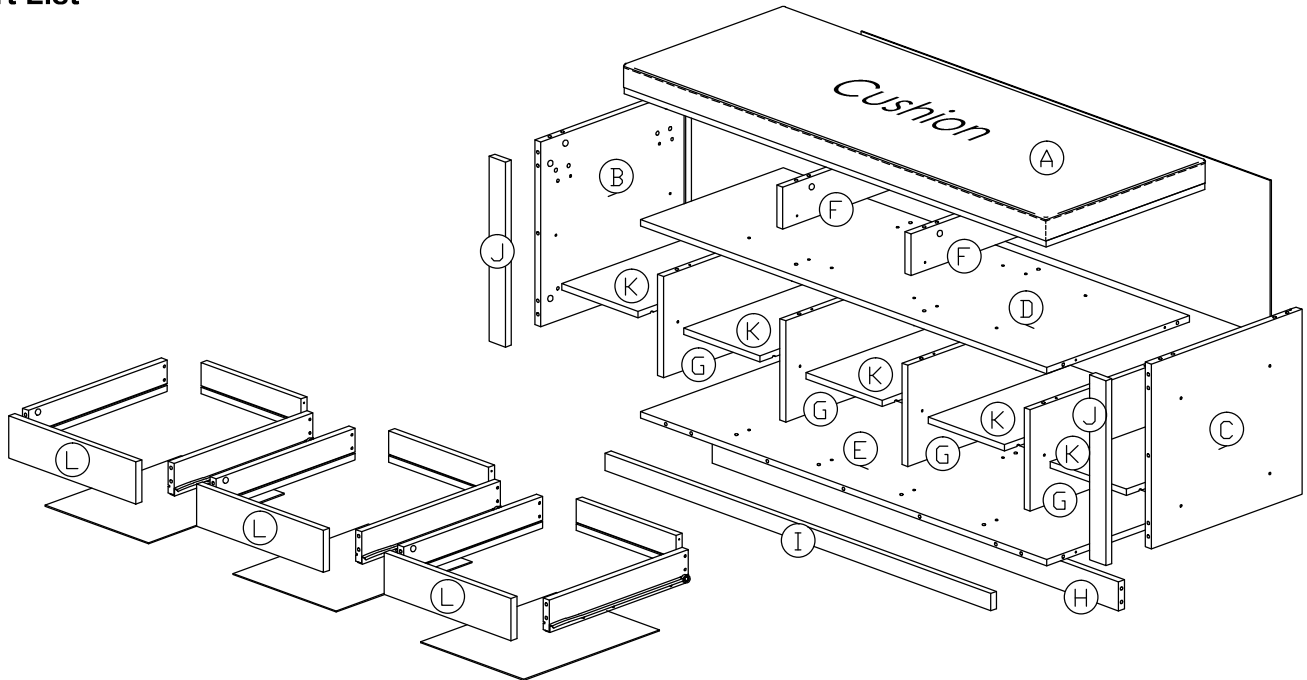


# Assembly Instruction

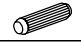
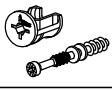



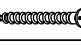

Model : WI5374



## Part List



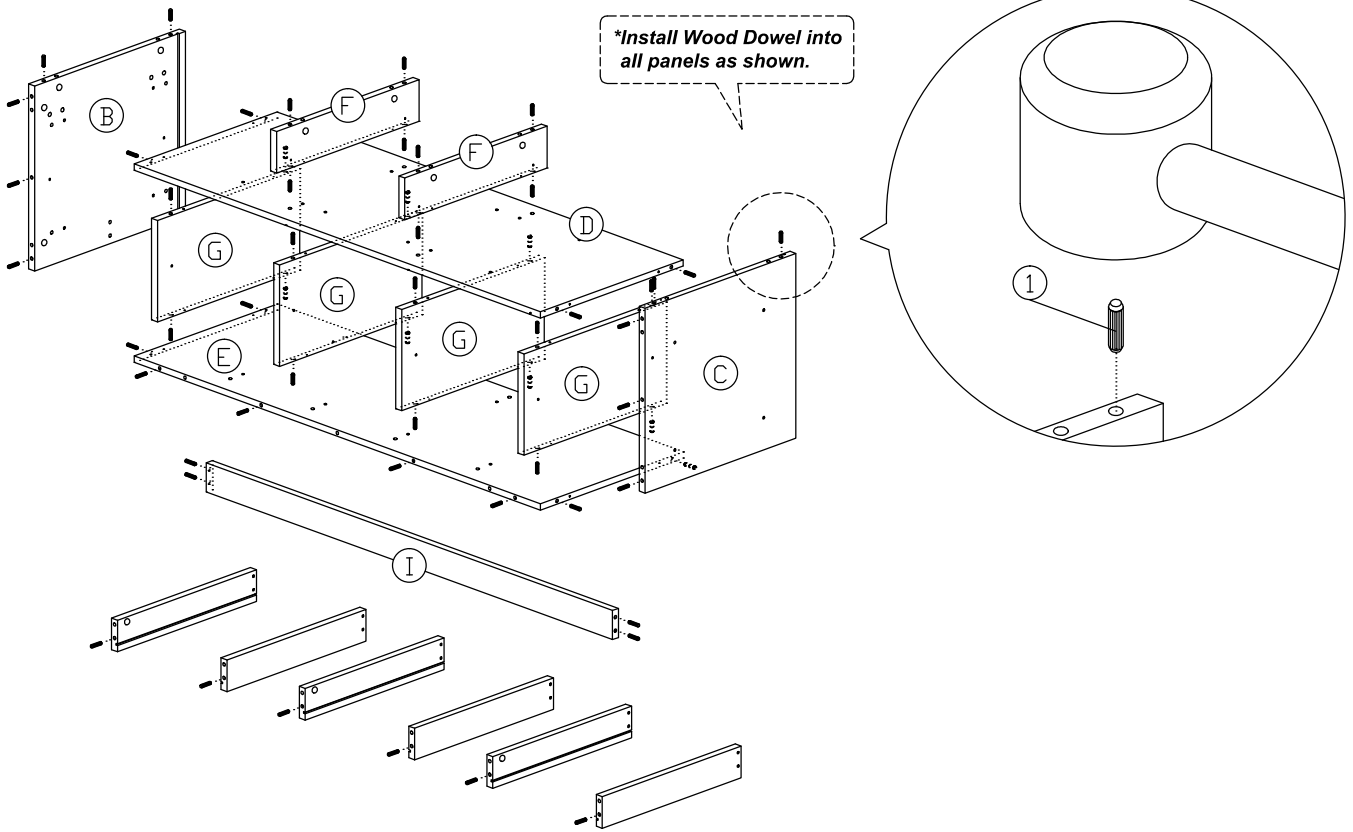
### Hardware List

No.	SHAPE	DESCRIPTION	Qty.
1		<b>8x25mm Wood Dowel</b>	56Pcs
2		<b>15MM Titus Mini Fix</b>	21Sets
3		<b>M5x8mm Screw (Euro Screw)</b>	12Pcs
4		<b>M3.5x16mm Screw</b>	10Pcs
5		<b>M4x38mm Screw</b>	12Pcs
6		<b>M5x38mm Screw</b>	28Pcs
7		<b>Shelf Support</b>	20Pcs

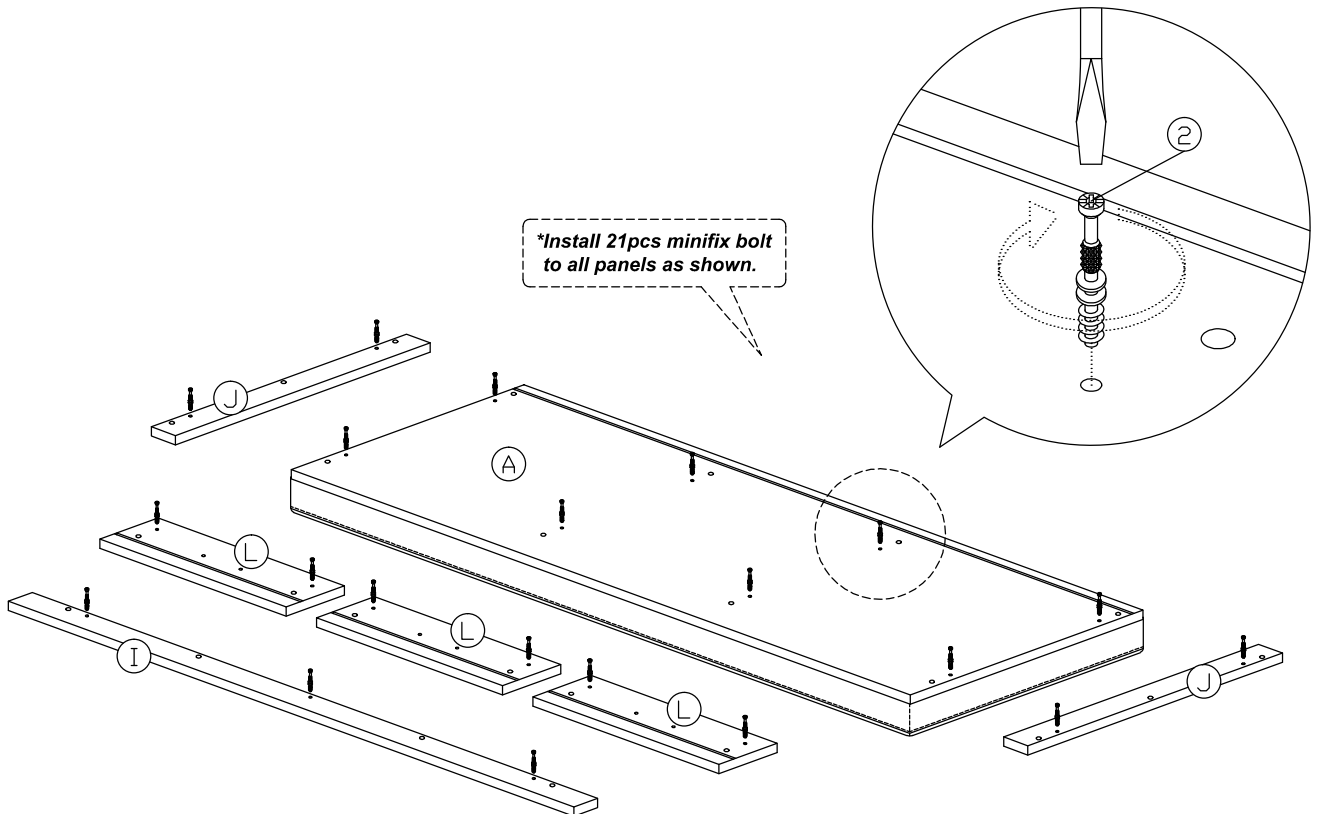
8		<b>Handle 'C' Shape</b> <b>M3.6x20mm (Handle Screw)</b>	3Sets
9		<b>Drawer Slide = 300mm</b>	3Sets
10		<b>15mm Minifix Cap</b>	6Pcs
11		<b>Screw Cap</b>	8Pcs
12		<b>PVC Drawer Pin</b>	4Pcs
13		<b>Nail Leg</b>	5Pcs
14		<b>L Bracket</b>	1Pc
15		<b>Nail</b>	16Pcs

# Assembly Instruction

## Step 1

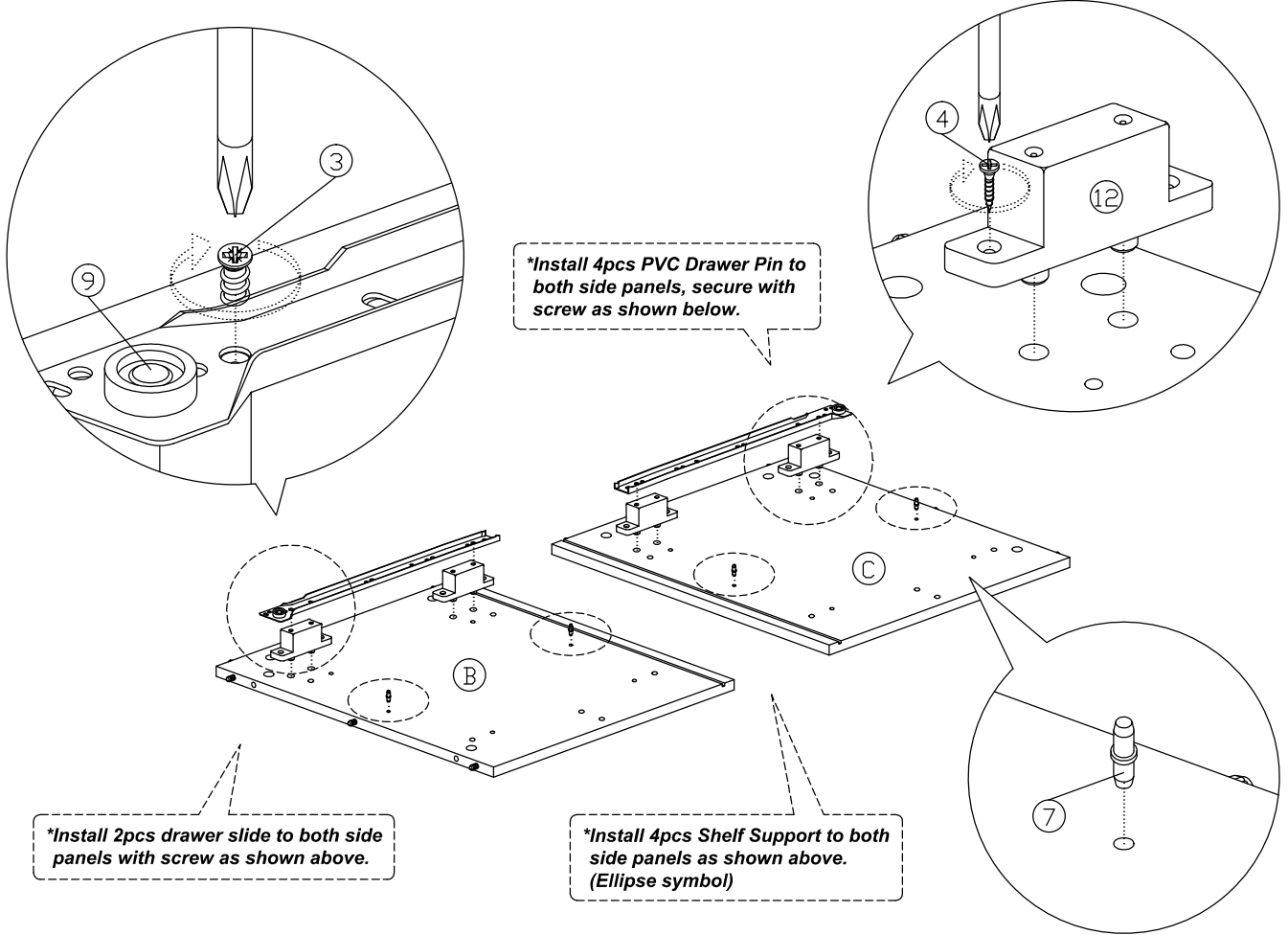


## Step 2

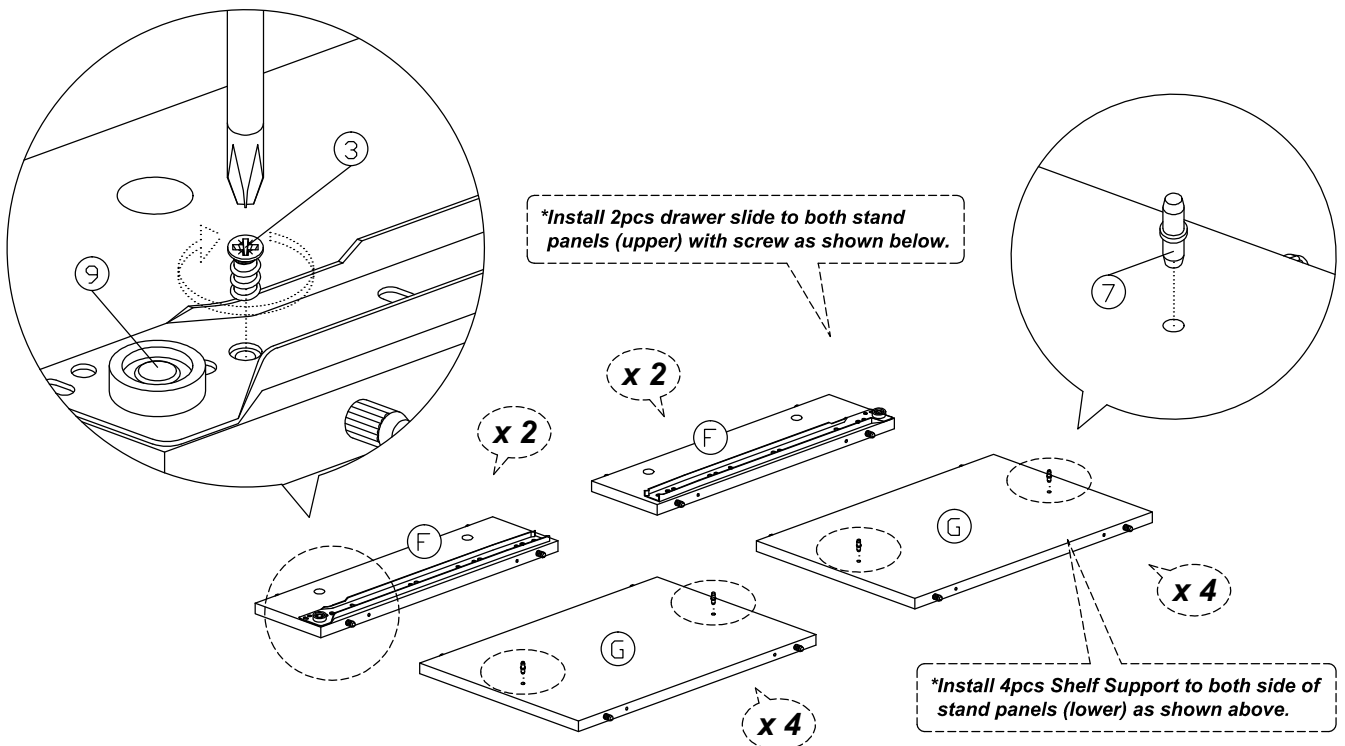


# Assembly Instruction

## Step 3

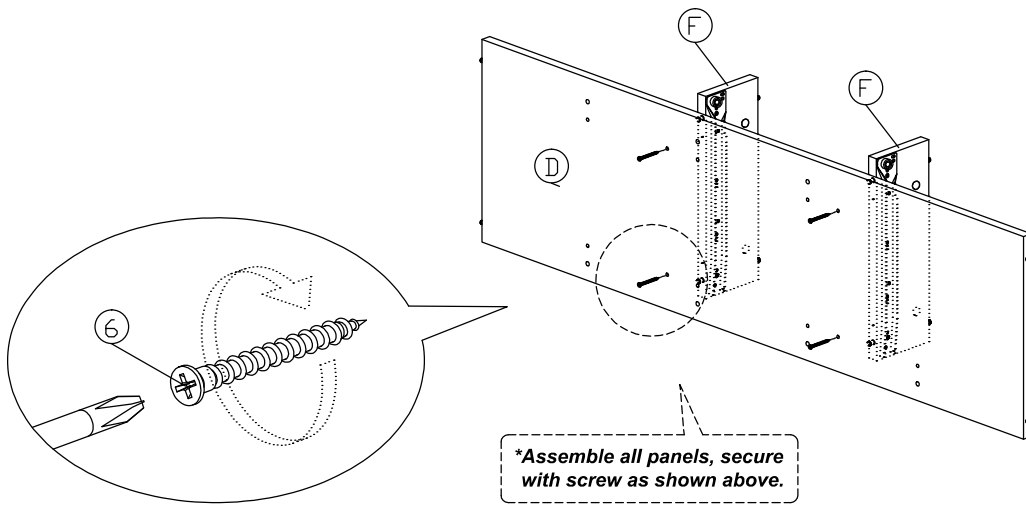


## Step 4

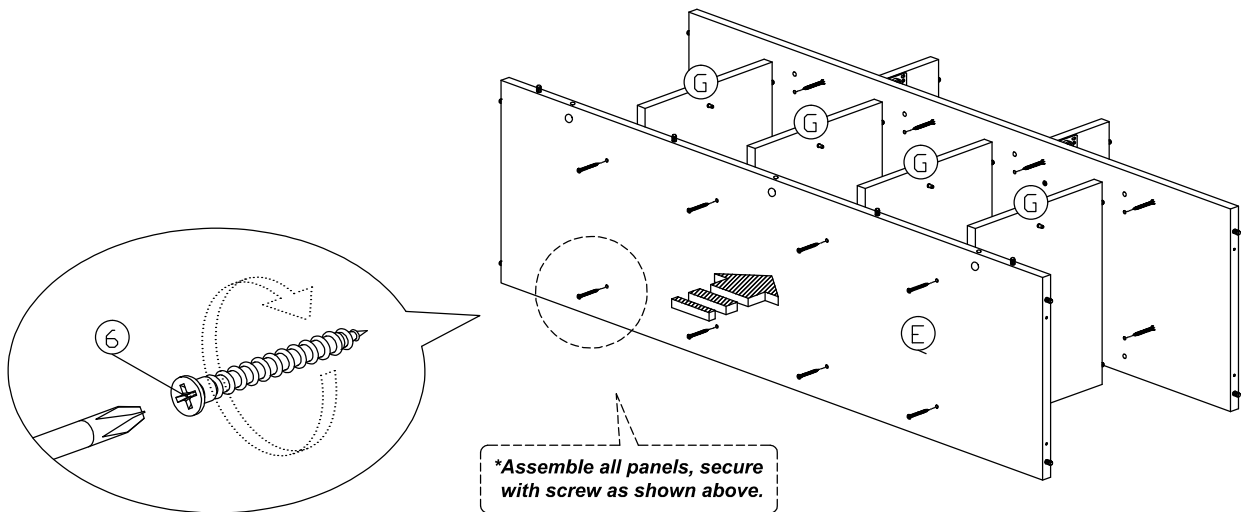


# Assembly Instruction

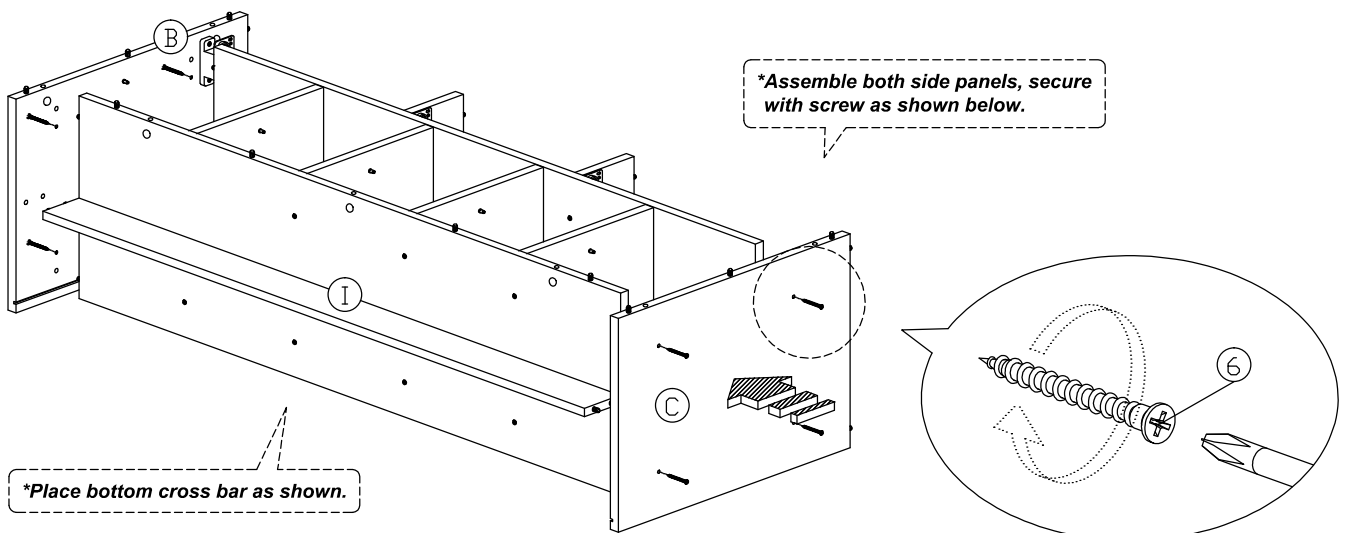
## Step 5



## Step 6

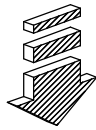
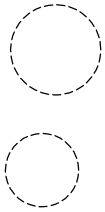
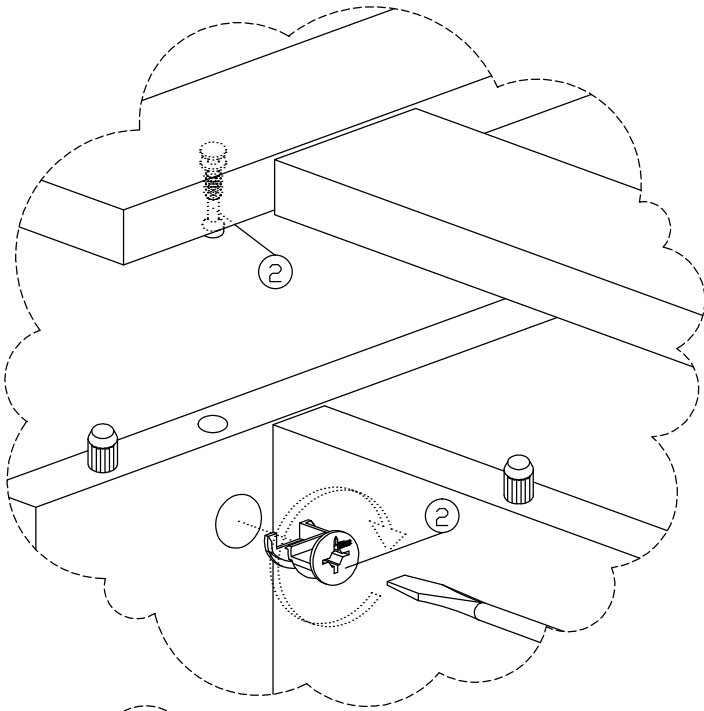


## Step 7



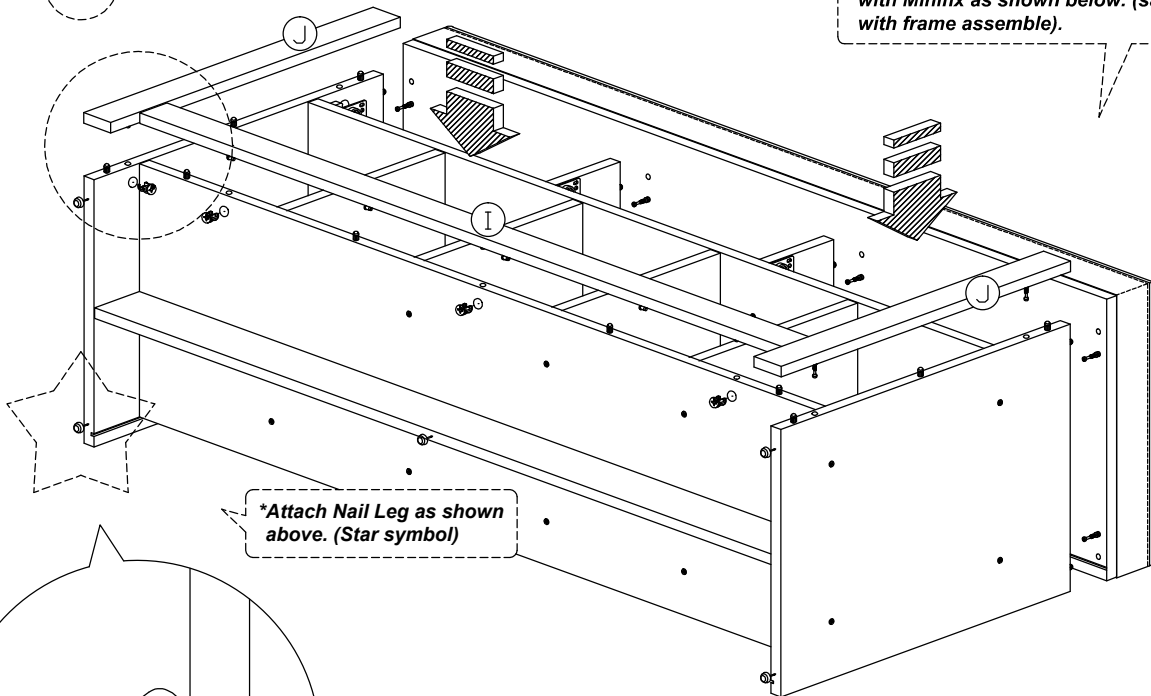
# Assembly Instruction

## Step 8

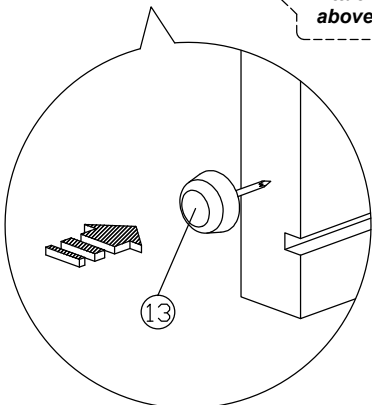


*\*Assemble side & bottom front cross bar.*

*\*Assemble top panel (Cushion), secure with Minifix as shown below. (same step with frame assemble).*

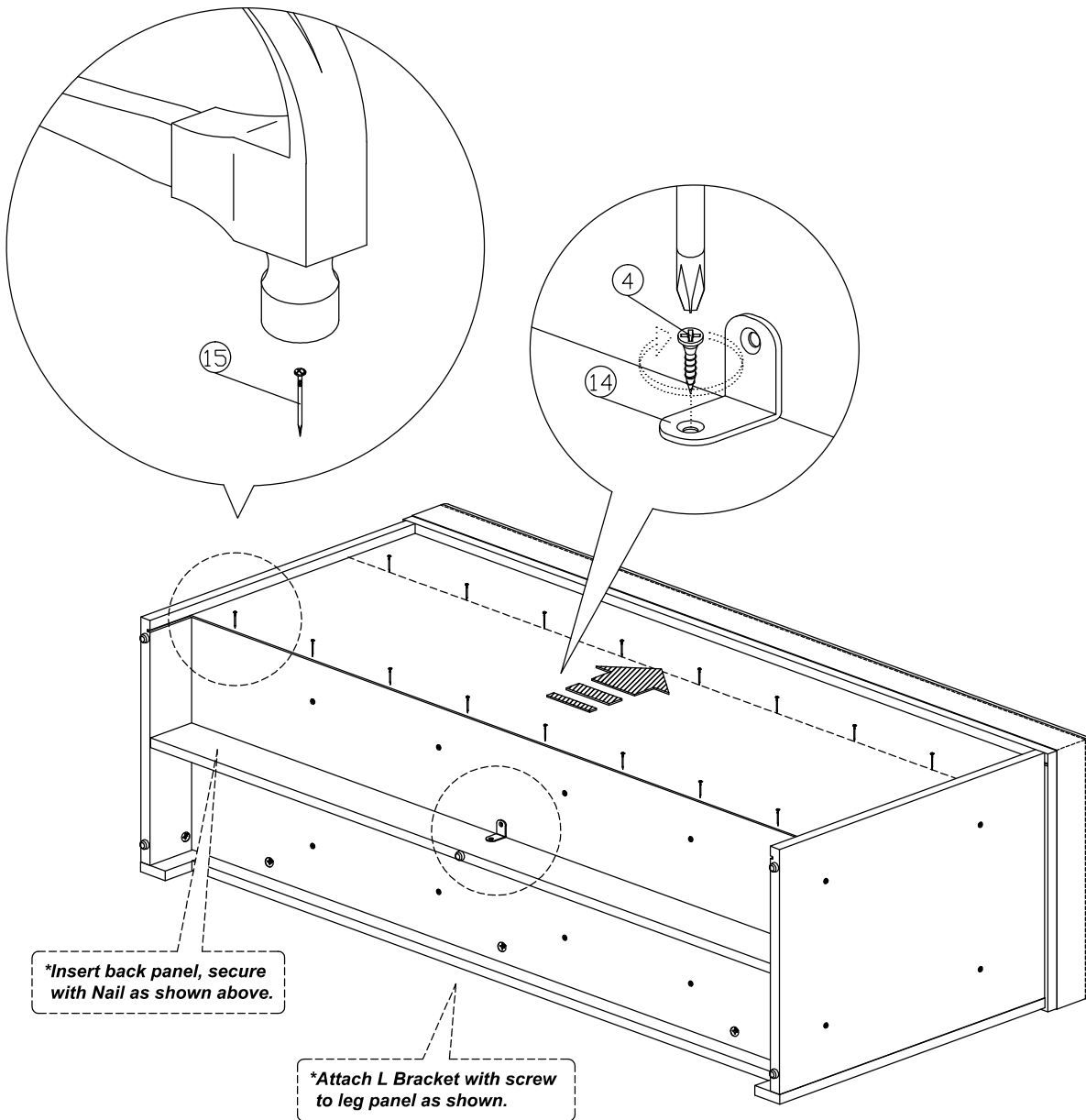


*\*Attach Nail Leg as shown above. (Star symbol)*

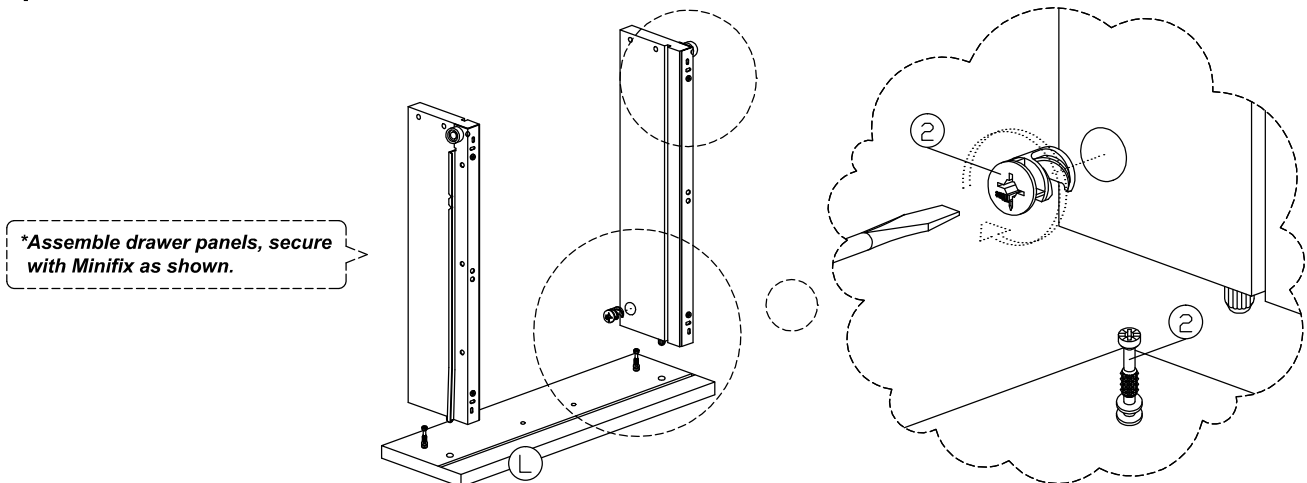


# Assembly Instruction

## Step 9



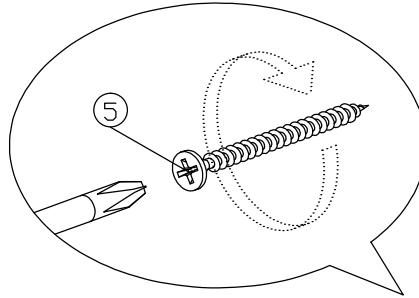
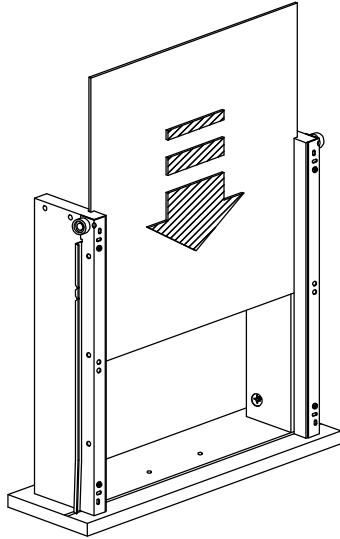
## Step 10



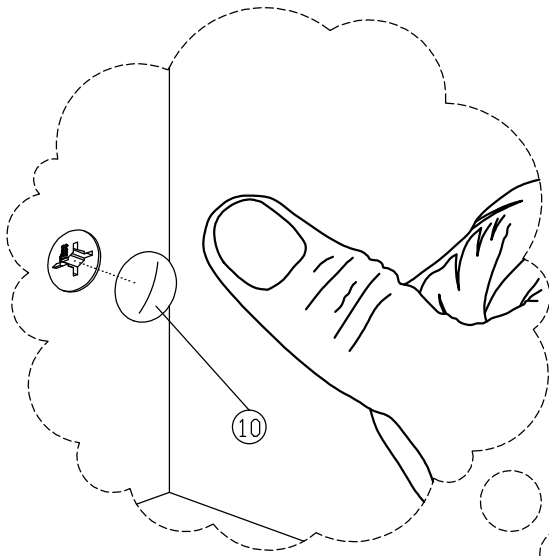
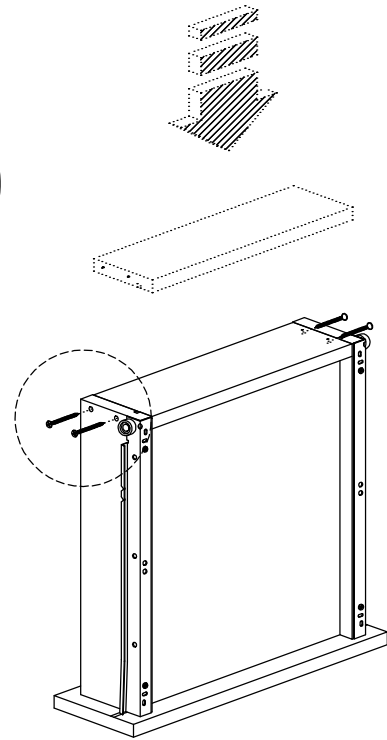
# Assembly Instruction

## Step 11

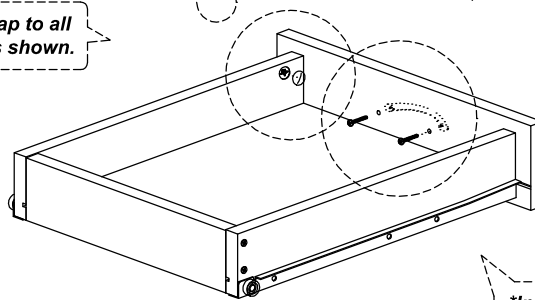
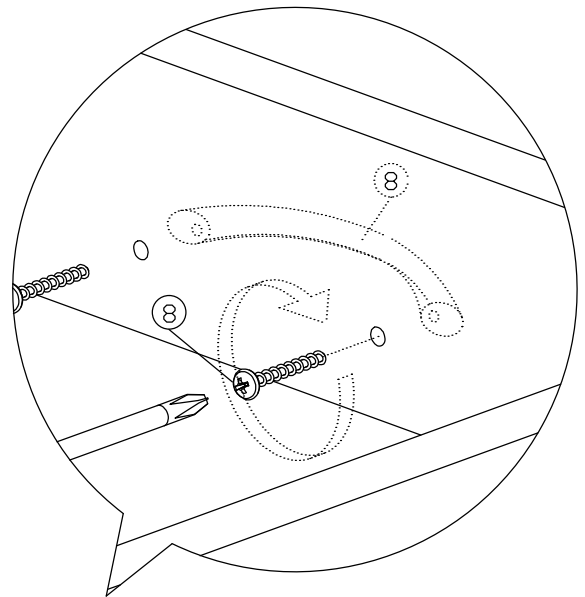
*\*Insert drawer bottom as shown.*



*\*Insert drawer back, secure with screw as shown.*



*\*Attach 6pcs Minifix Cap to all drawer side panels as shown.*



*\*Install Handle to all drawers with screw as shown.*

# Assembly Instruction

## Step 12

