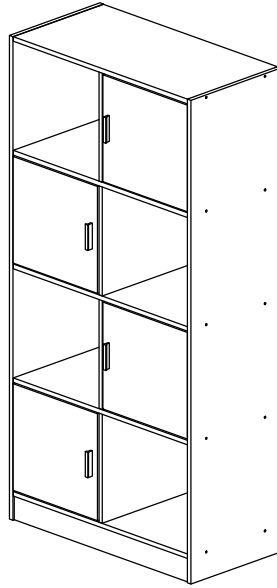
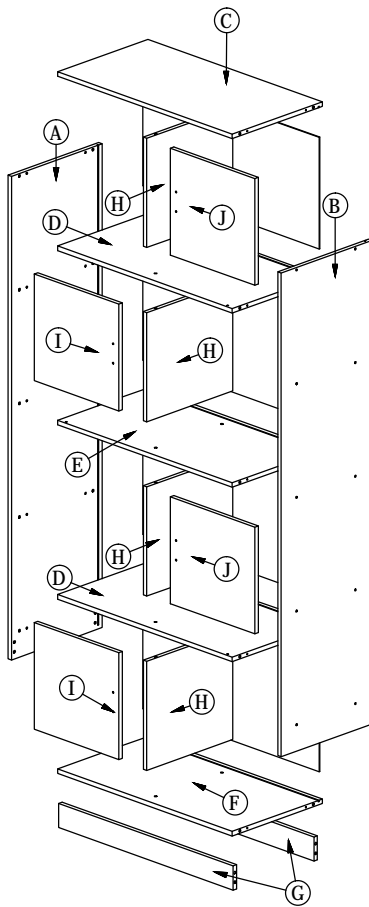


Assembly Instruction

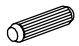
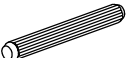
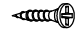
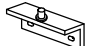


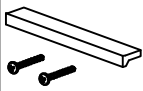




Model : WI5373



Part List

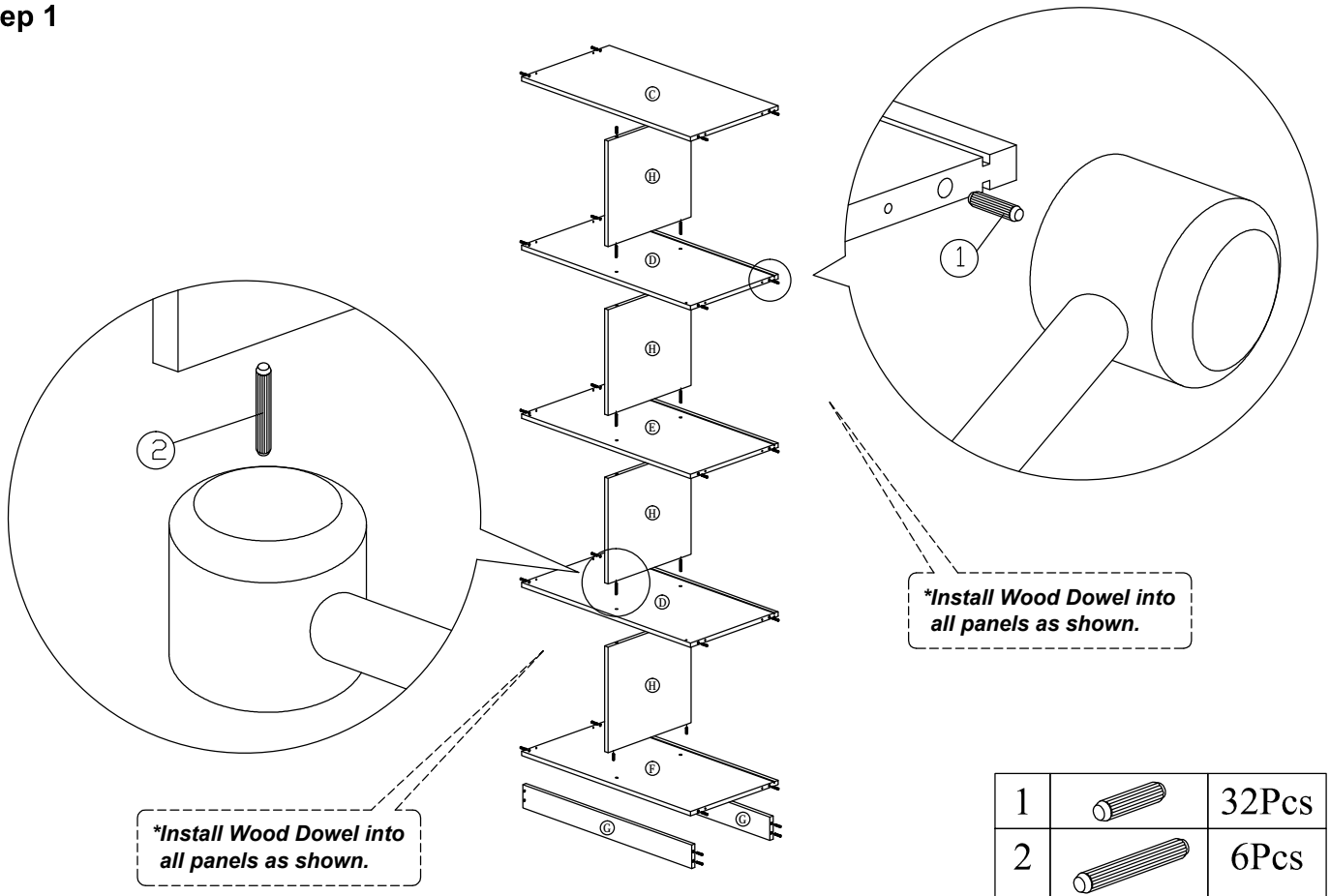


Hardware List

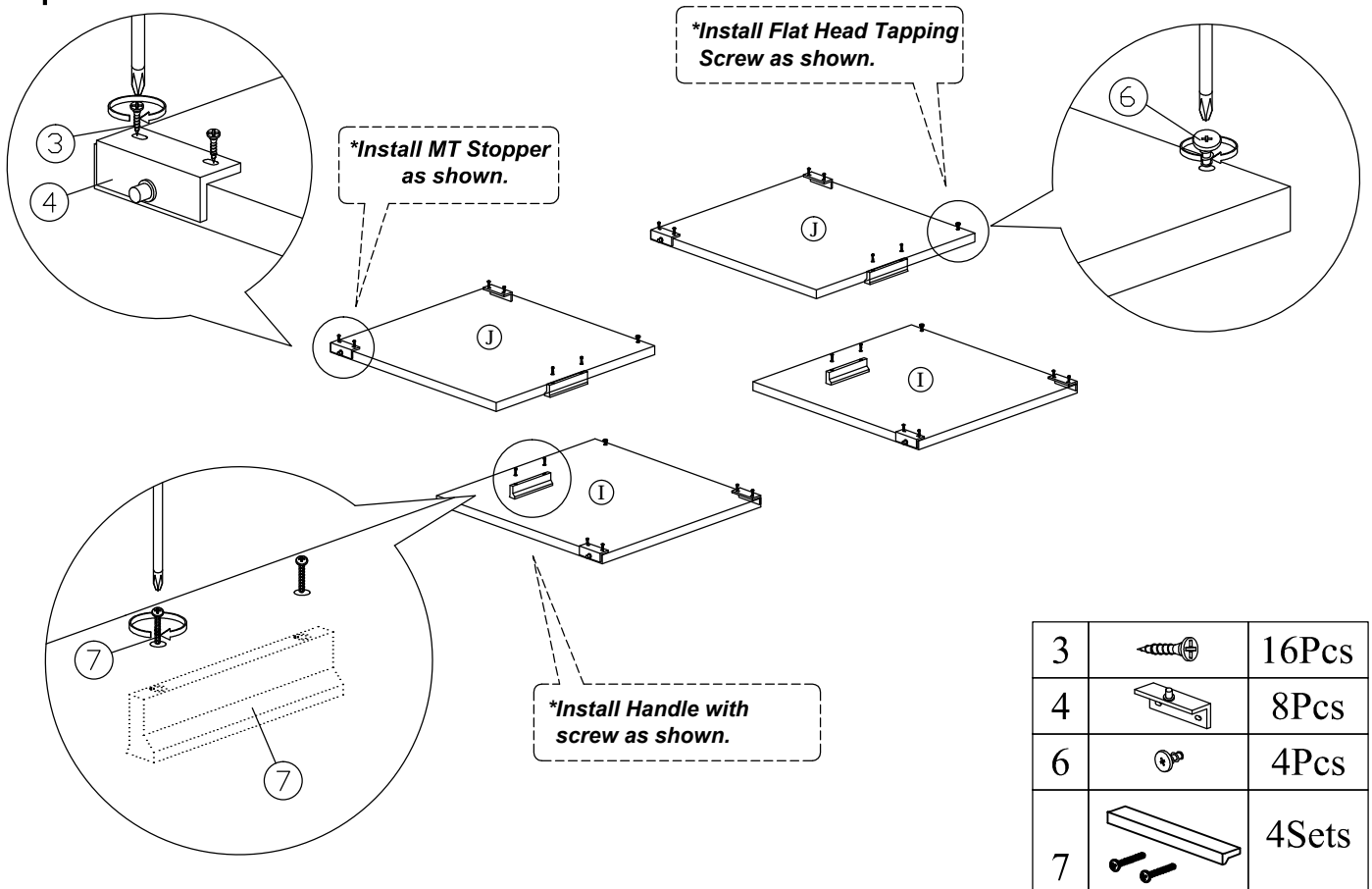
| No. | SHAPE | DESCRIPTION | Qty. |
|-----|---|---|-------|
| 1 |  | 8x30mm Wood Dowel | 32Pcs |
| 2 |  | 8x50mm Wood Dowel | 6Pcs |
| 3 |  | M3.5x16mm Screw | 20Pcs |
| 4 |  | MT Stopper | 8Pcs |
| 5 |  | M5x38mm Screw | 20Pcs |
| 6 |  | Brown Magnet 2 Pin Flat Head Tapping Screw M6x10mm ZB | 4Sets |
| 7 |  | Handle L Shape (84mm) M3.6x24mm Screw | 4Sets |
| 8 |  | Nail Leg | 6Pcs |
| 9 |  | Screw Cap | 20Pcs |
| 10 |  | L Bracket | 2Pcs |
| 11 |  | Nail | 12Pcs |

Assembly Instruction

Step 1



Step 2



Assembly Instruction

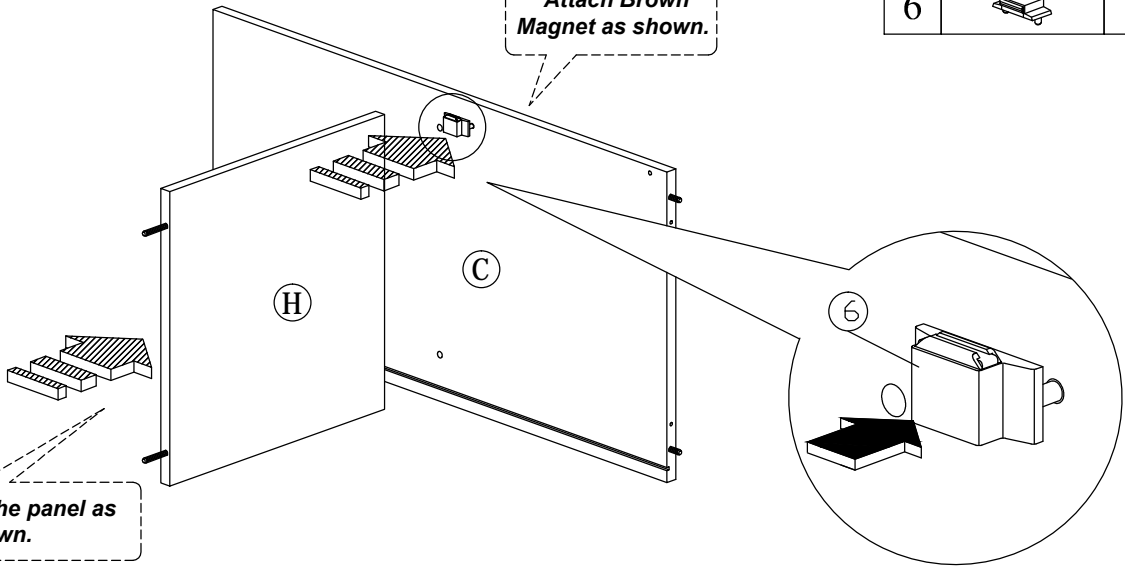
Step 3

6



1Pc

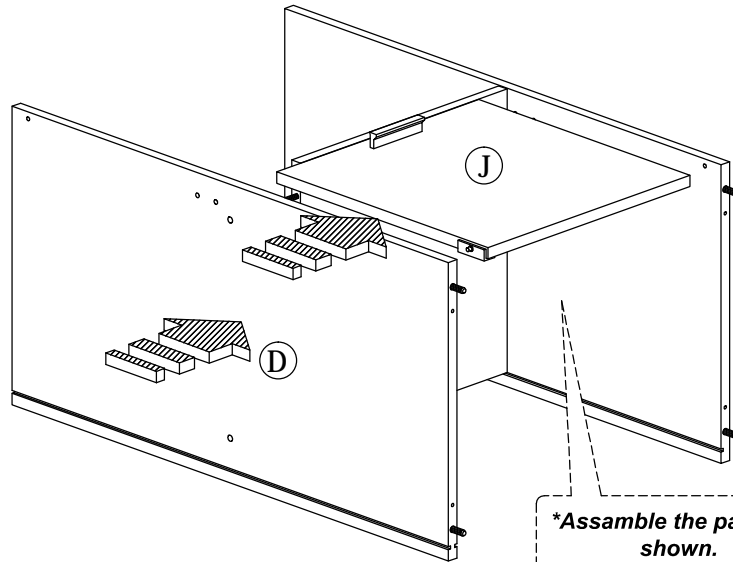
**Attach Brown Magnet as shown.*



**Assemble the panel as shown.*

Step 4

**Assemble the panel as shown.*



**Assemble the panel as shown.*

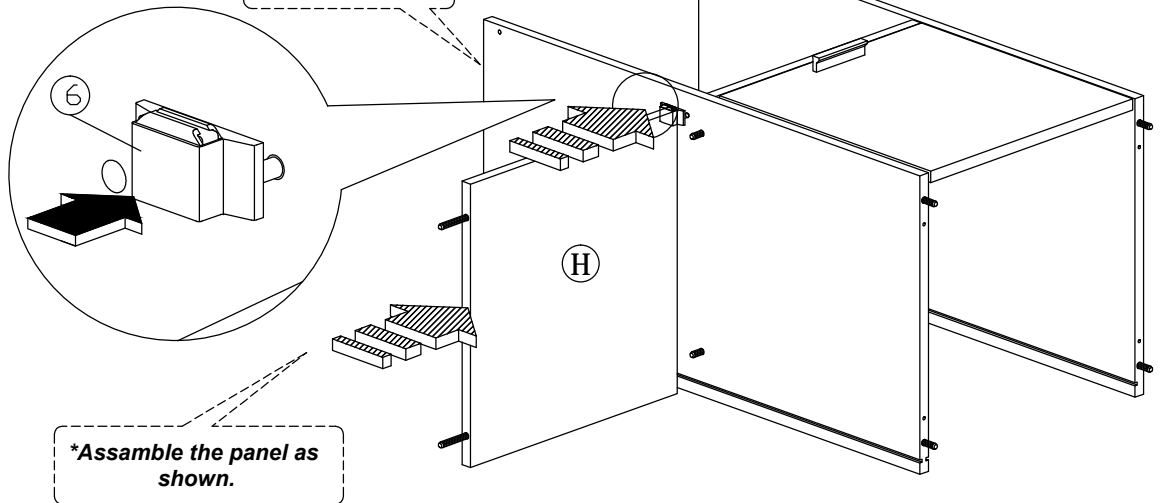
Step 5

6



1Pc

**Attach Brown Magnet as shown.*

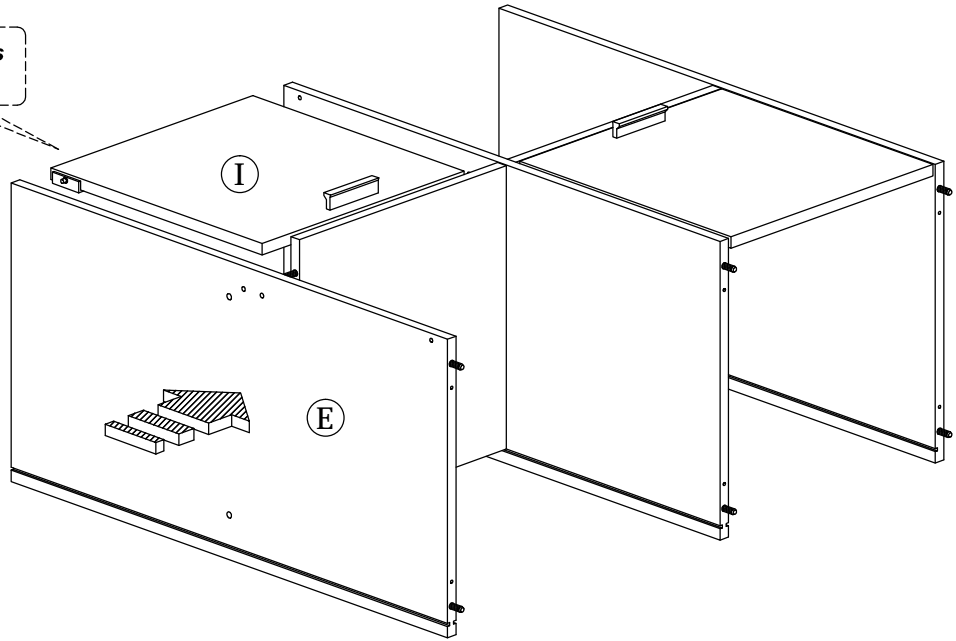


**Assemble the panel as shown.*

Assembly Instruction

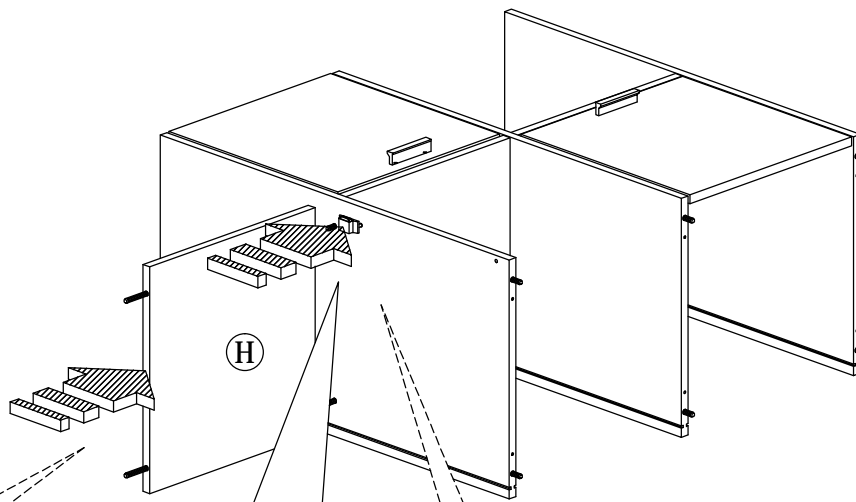
Step 6

**Assamble the panel as shown.*



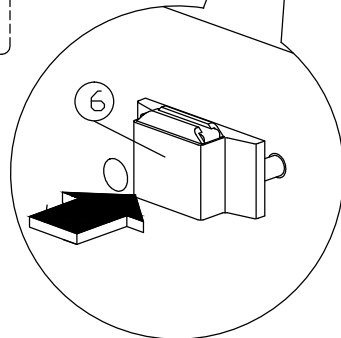
**Assamble the panel as shown.*


Step 7



**Assamble the panel as shown.*

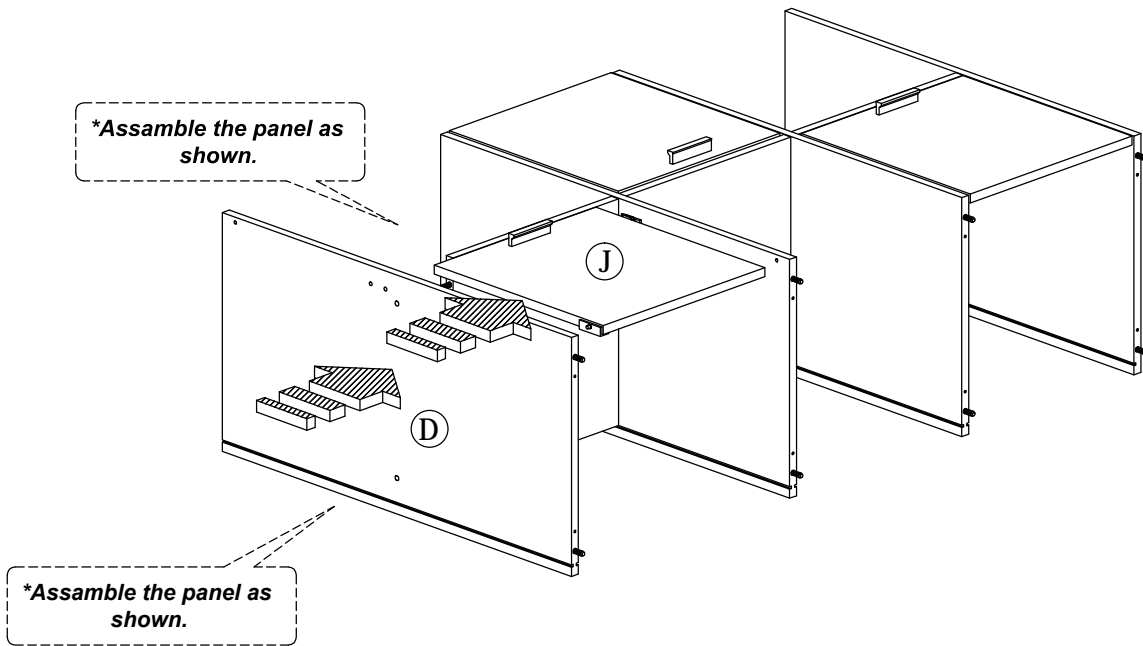
**Attach Brown Magnet as shown.*



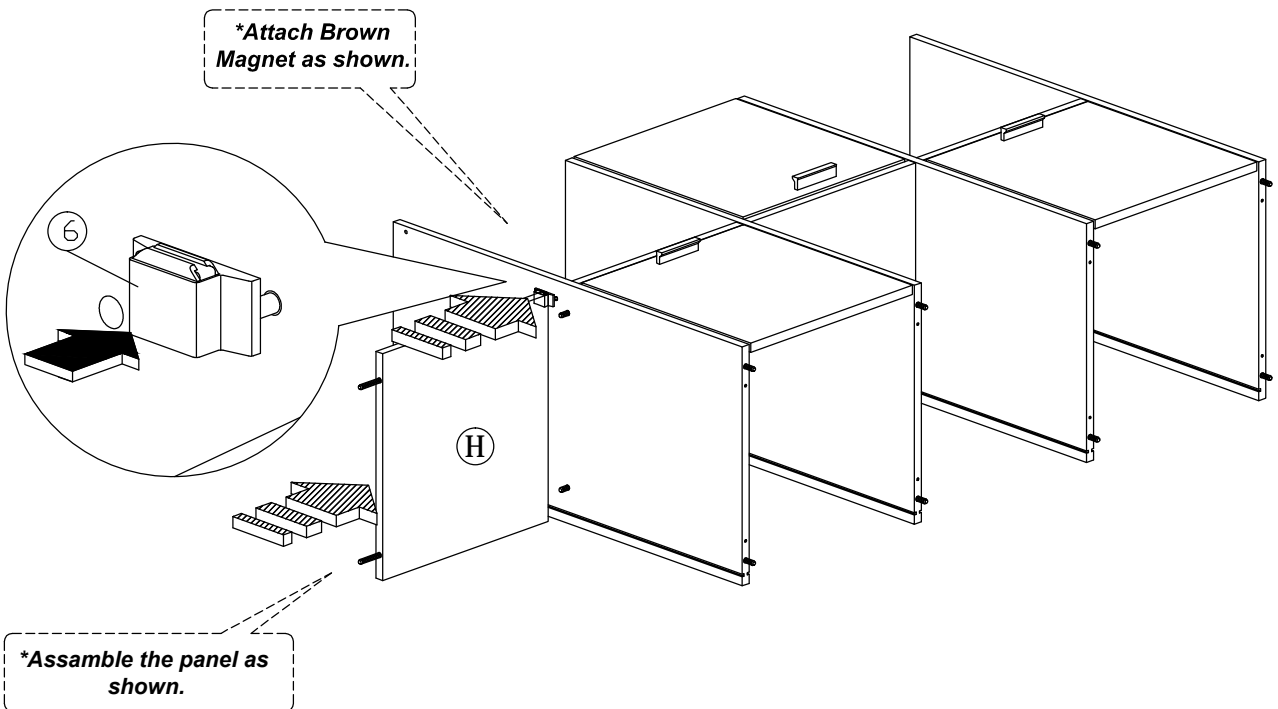
| | | |
|---|---|-----|
| 6 |  | 1Pc |
|---|---|-----|

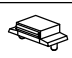
Assembly Instruction

Step 8



Step 9

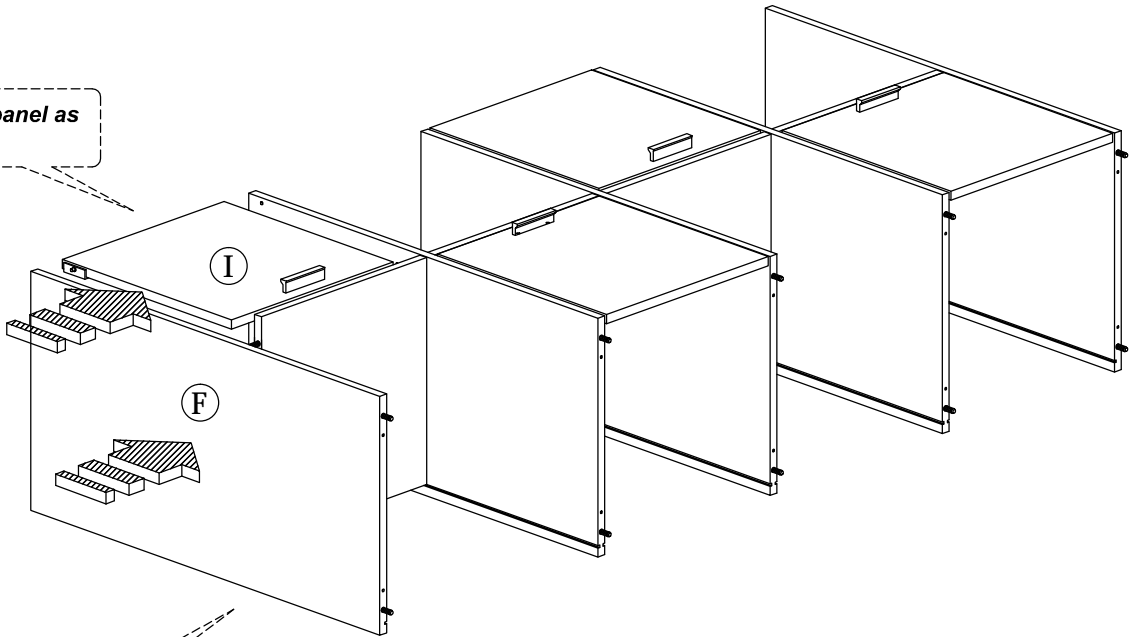


| | | |
|---|---|-----|
| 6 |  | 1Pc |
|---|---|-----|

Assembly Instruction

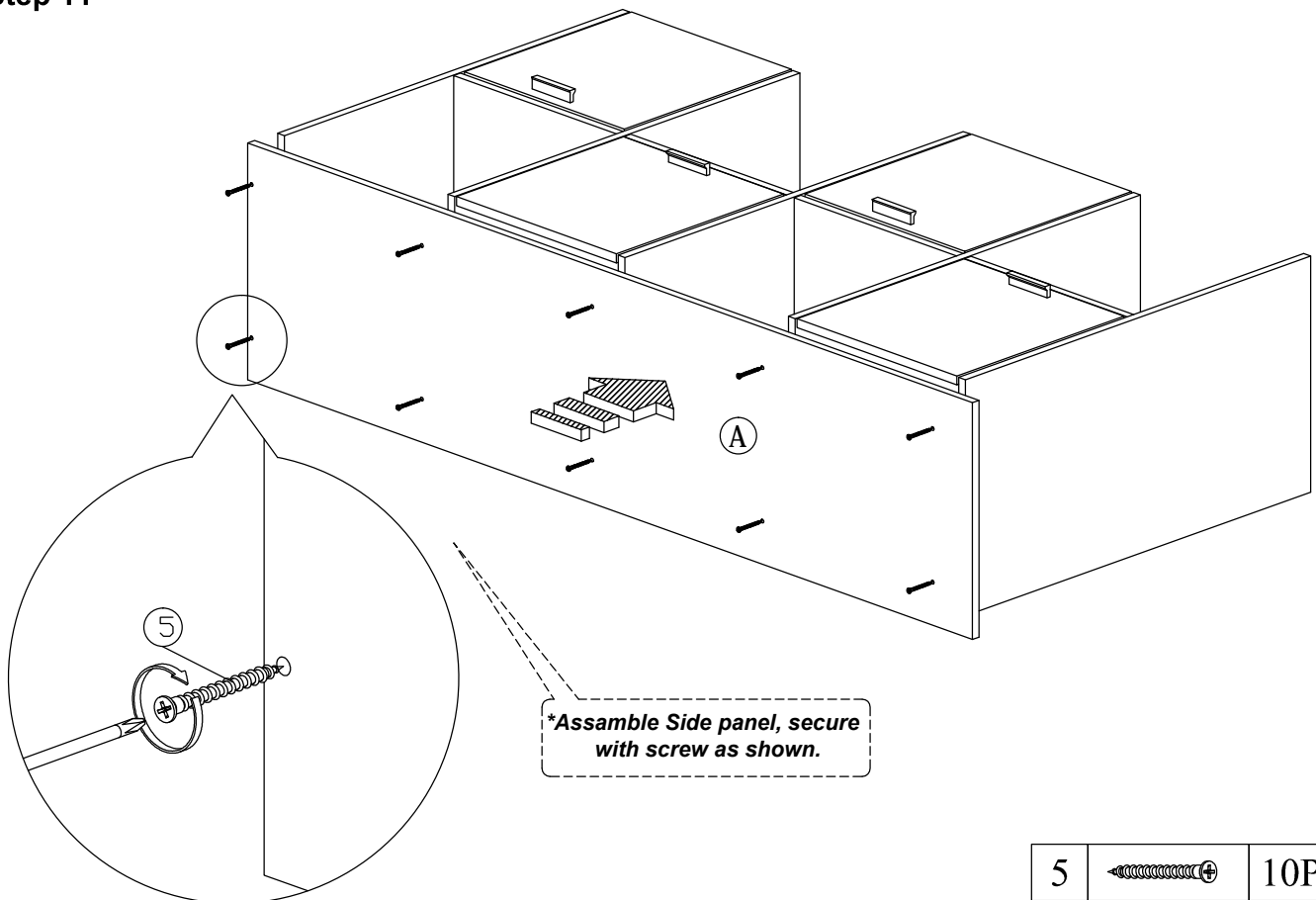
Step 10

**Assemble the panel as shown.*




**Assemble the panel as shown.*

Step 11

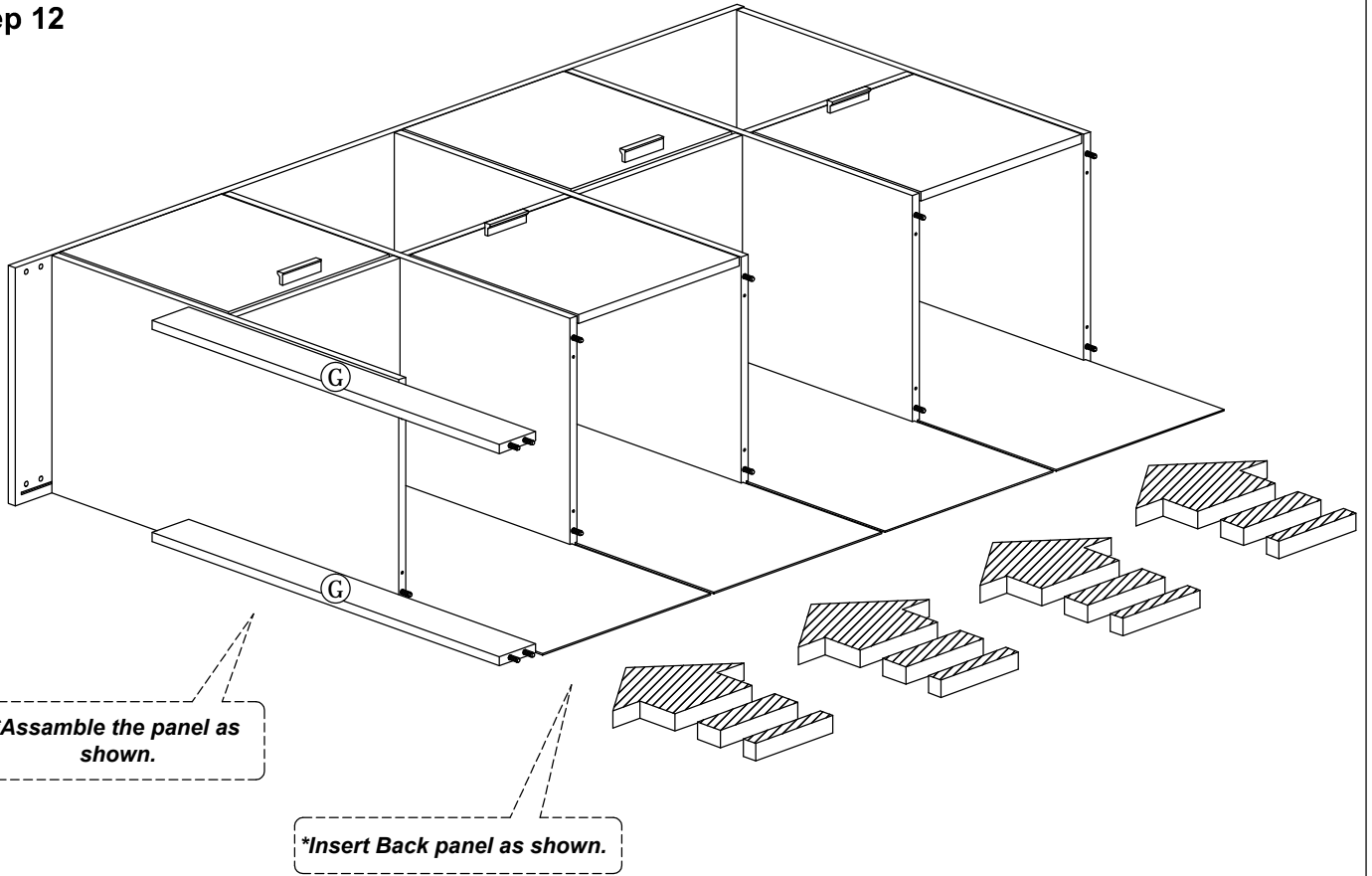


**Assemble Side panel, secure with screw as shown.*


| | | |
|---|---|-------|
| 5 |  | 10Pcs |
|---|---|-------|

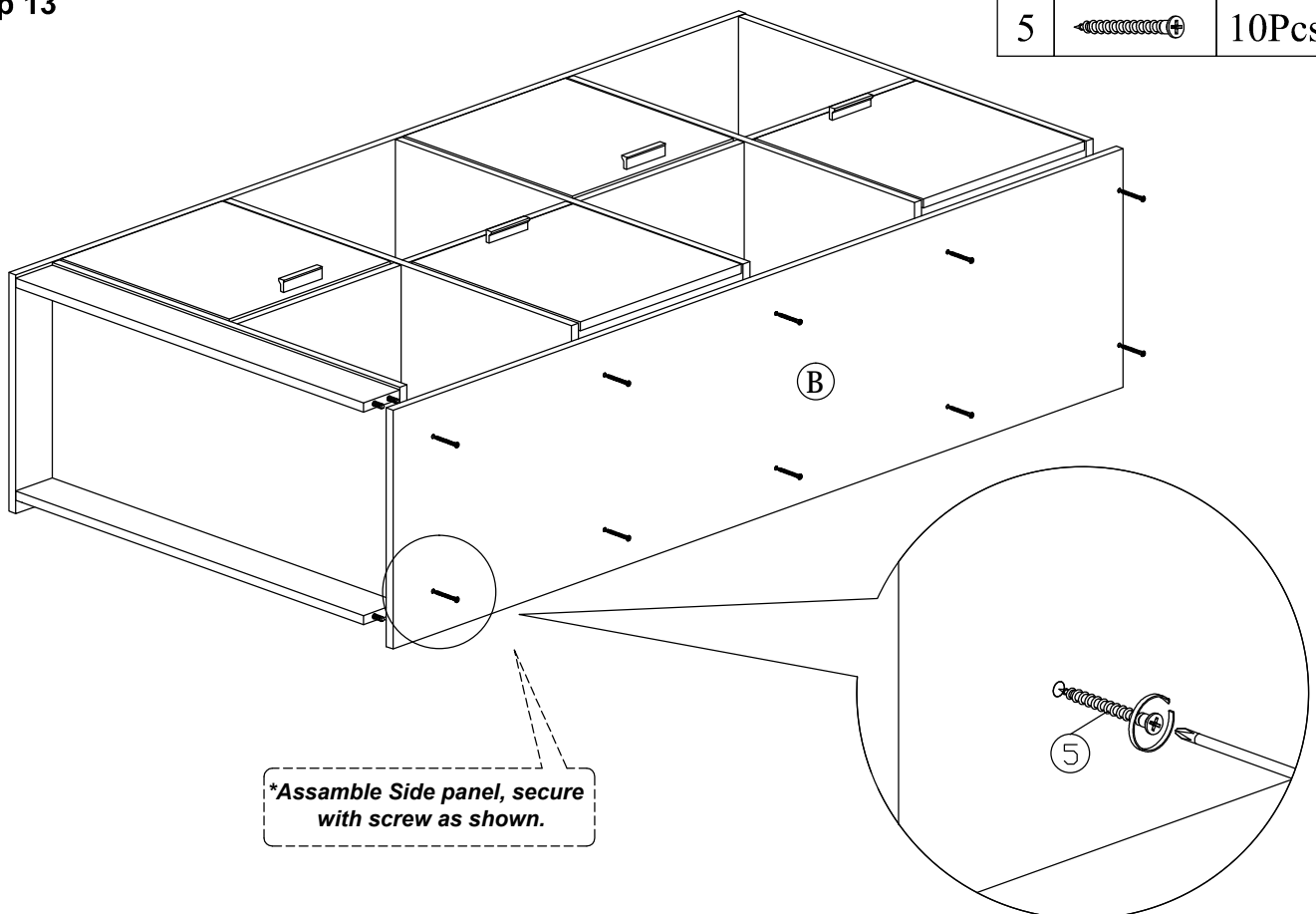
Assembly Instruction

Step 12



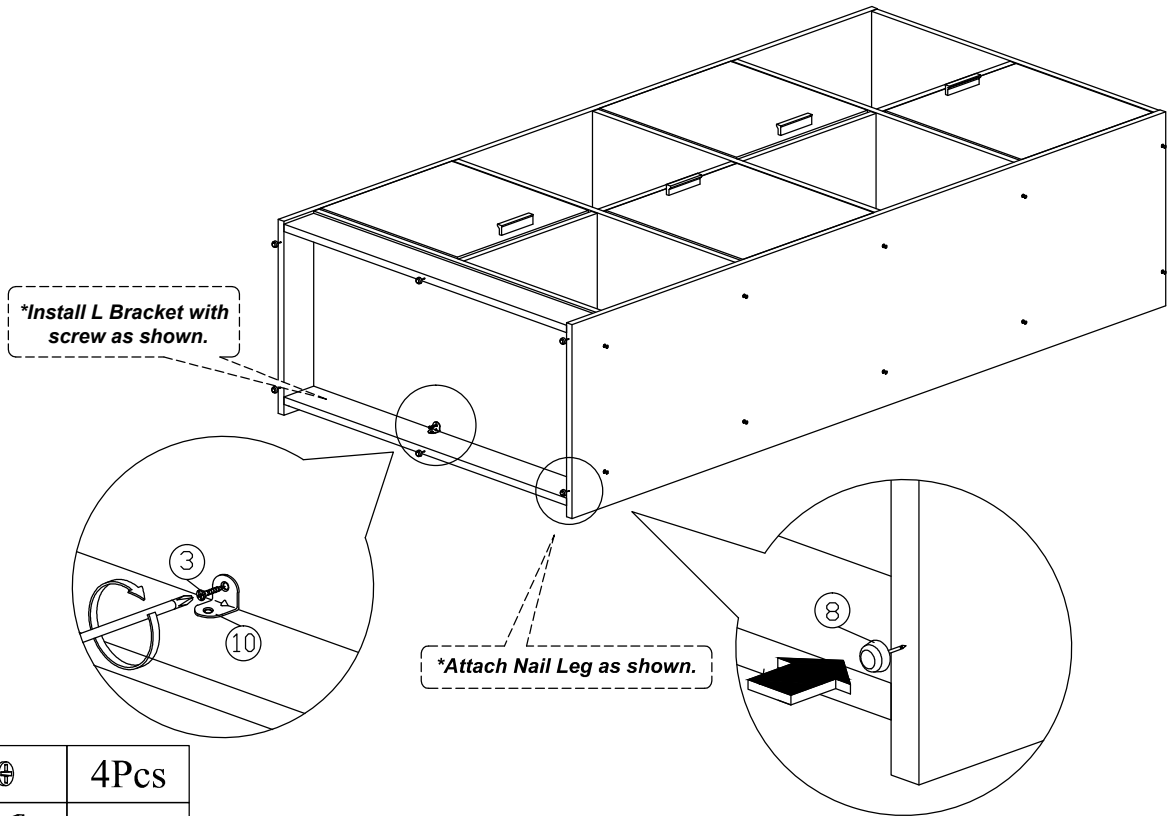
Step 13




5  10Pcs



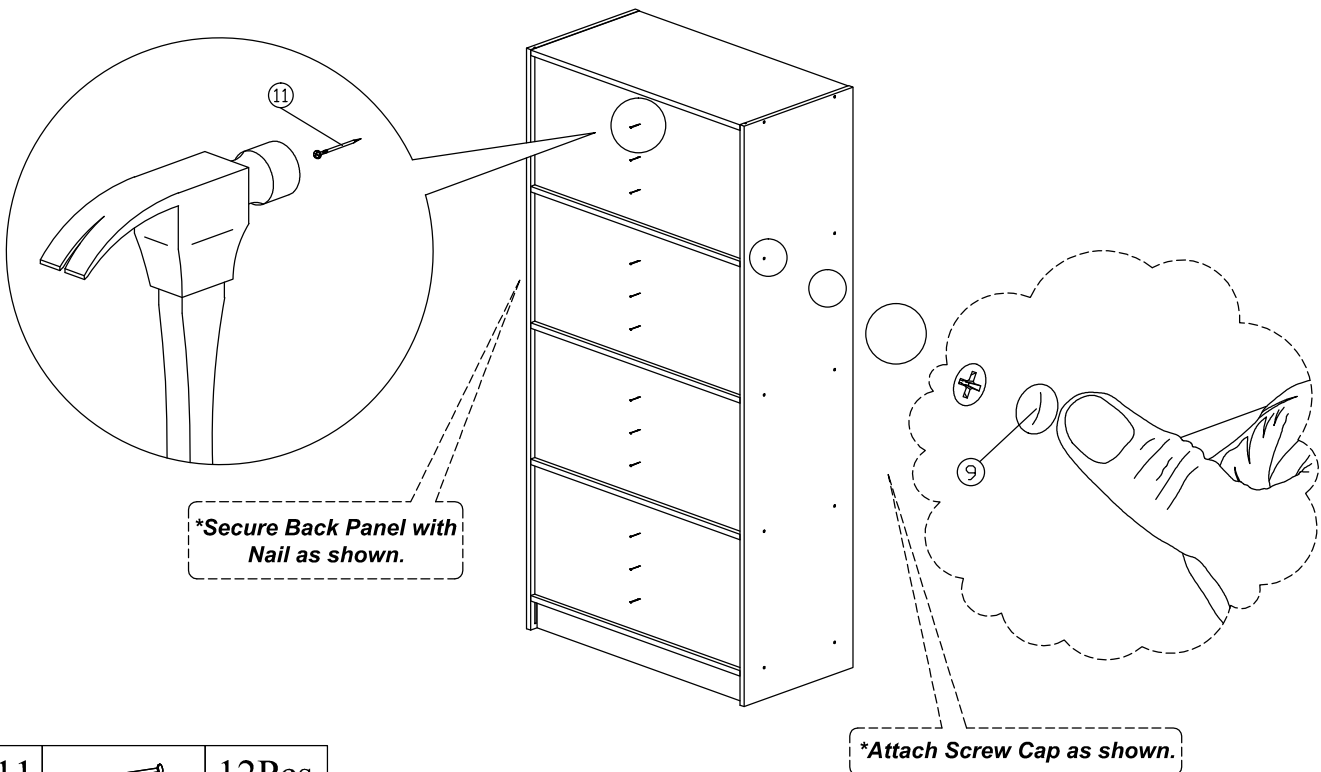
Assembly Instruction

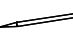

Step 14



| | | |
|----|---|------|
| 3 |  | 4Pcs |
| 8 |  | 6Pcs |
| 10 |  | 2Pcs |

Step 15



| | | |
|----|---|-------|
| 11 |  | 12Pcs |
| 9 |  | 20Pcs |