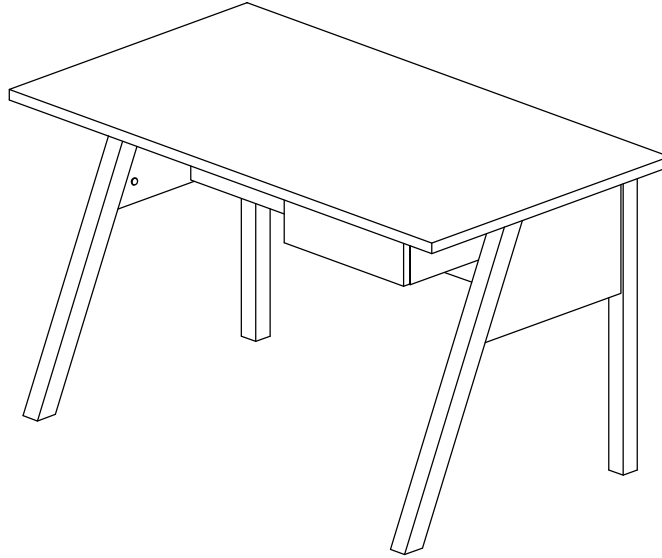
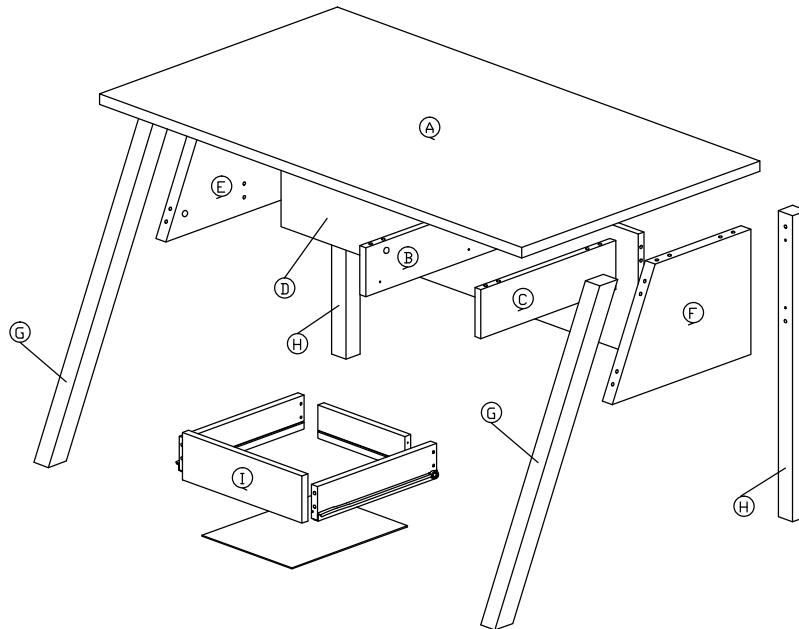


Assembly Instruction

Model : WI4892



Part List

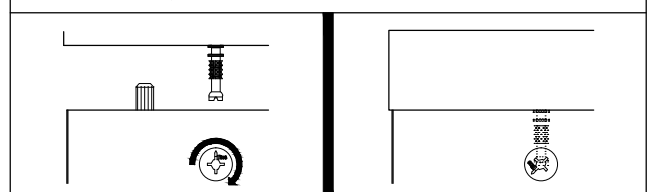


Hardware List

No.	SHAPE	DESCRIPTION	Qty.
1		8x25mm Wood Dowel	23Pcs
2		M5x8mm Screw (Euro Screw)	4Pcs
3		M3.5x15mm Screw	4Pcs
4		M4x38mm Screw	4Pcs
5		15MM Titus Mini Fix	18Sets
6		15mm Minifix Cap	2Pcs
7		15mm Minifix Cap (hole)	4Pcs
8		Drawer Slide 12" (300mm)	1Set

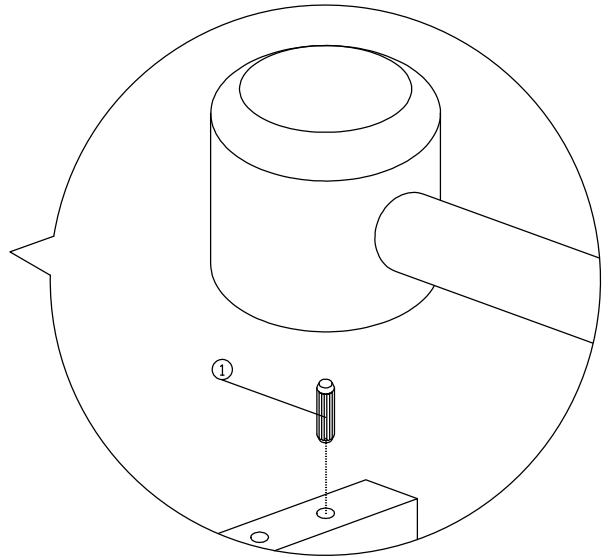
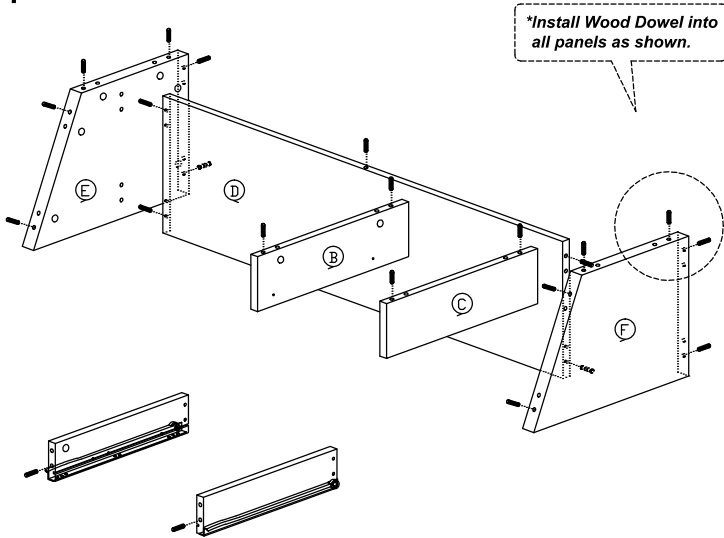
9		Nail Leg	4Pcs
10		L Bracket	2Pcs
11		JCBC - Blot M6x50mm	4sets
12		L Key	1Pcs

Dowel / Cam - Lock Installation

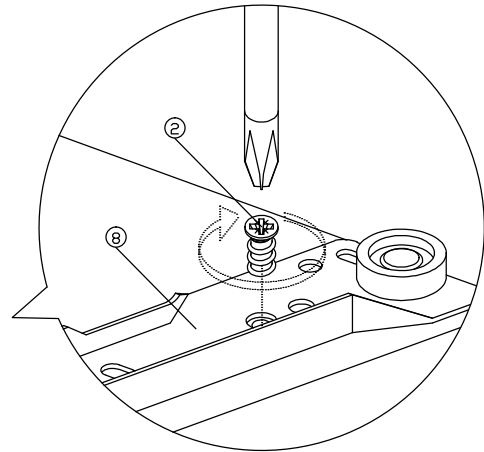
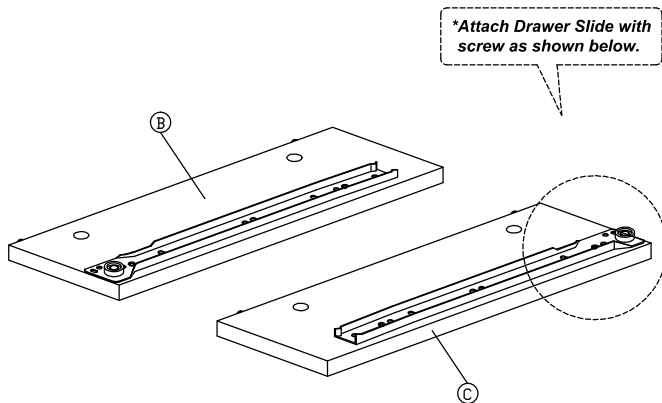


Assembly Instruction

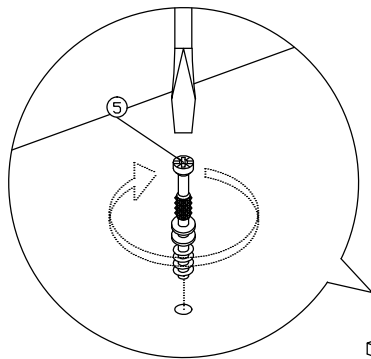
Step 1



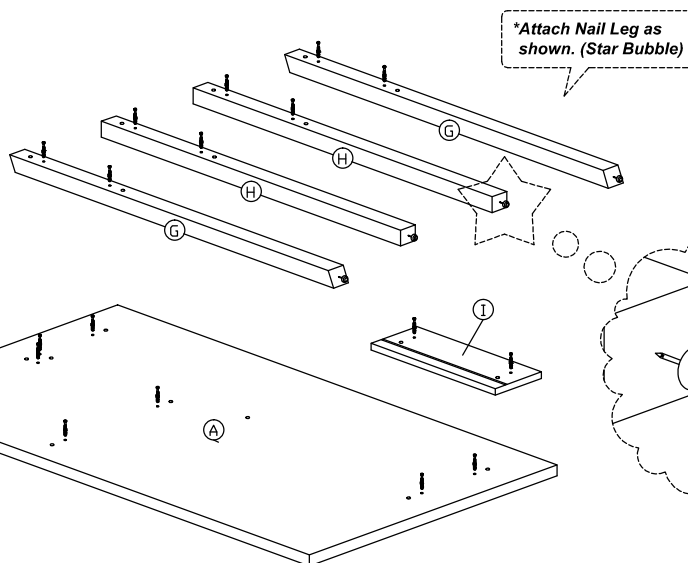
Step 2



Step 3

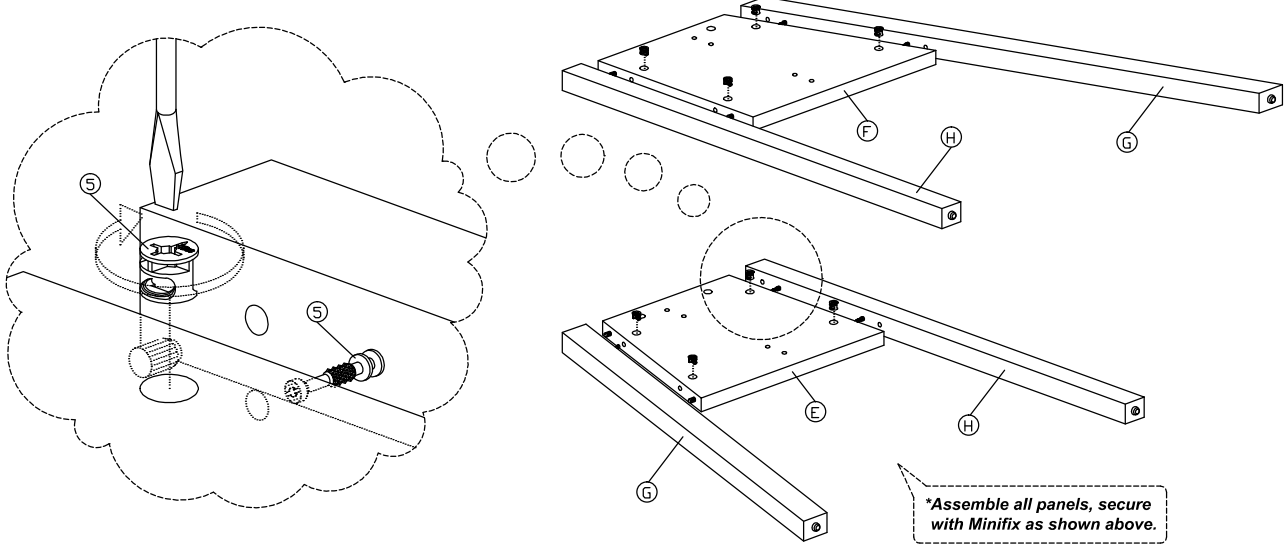


*Install minifix bolt to all panels as shown above.

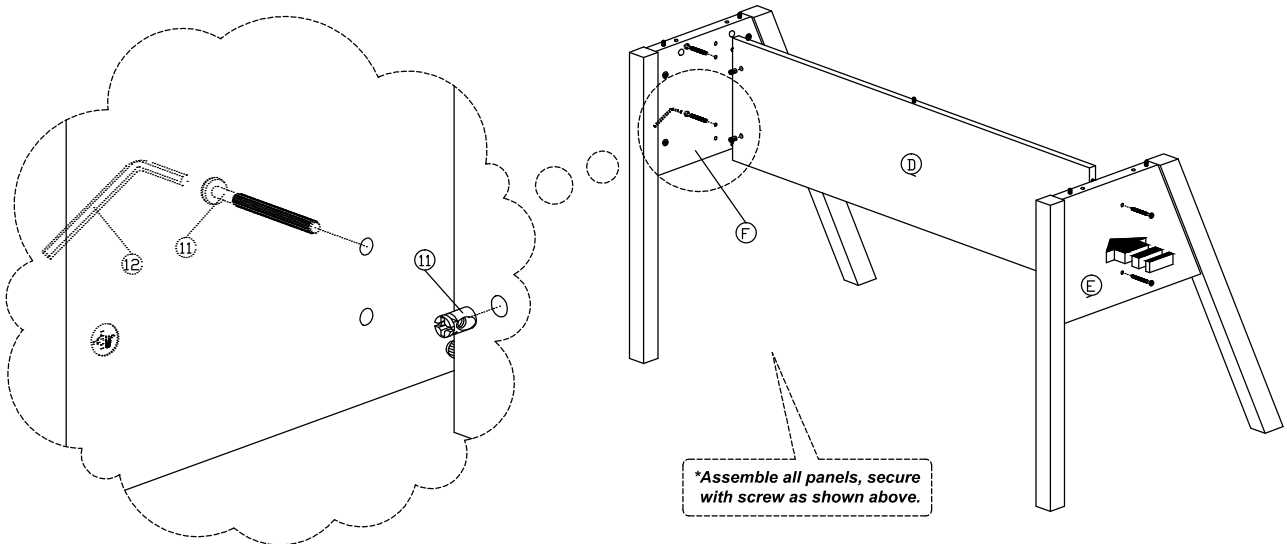


Assembly Instruction

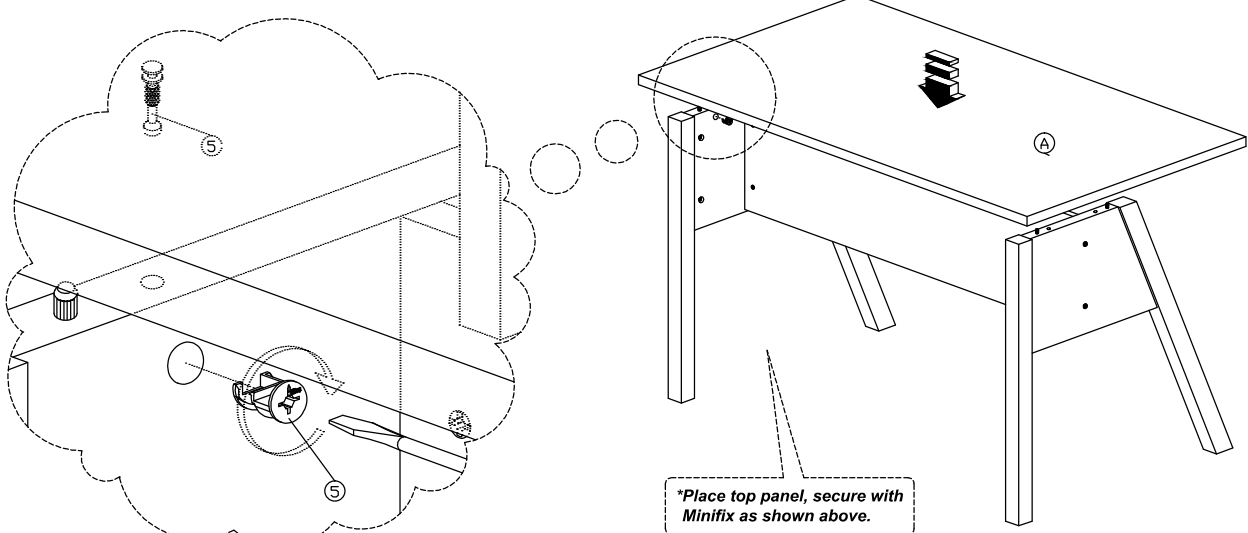
Step 4



Step 5

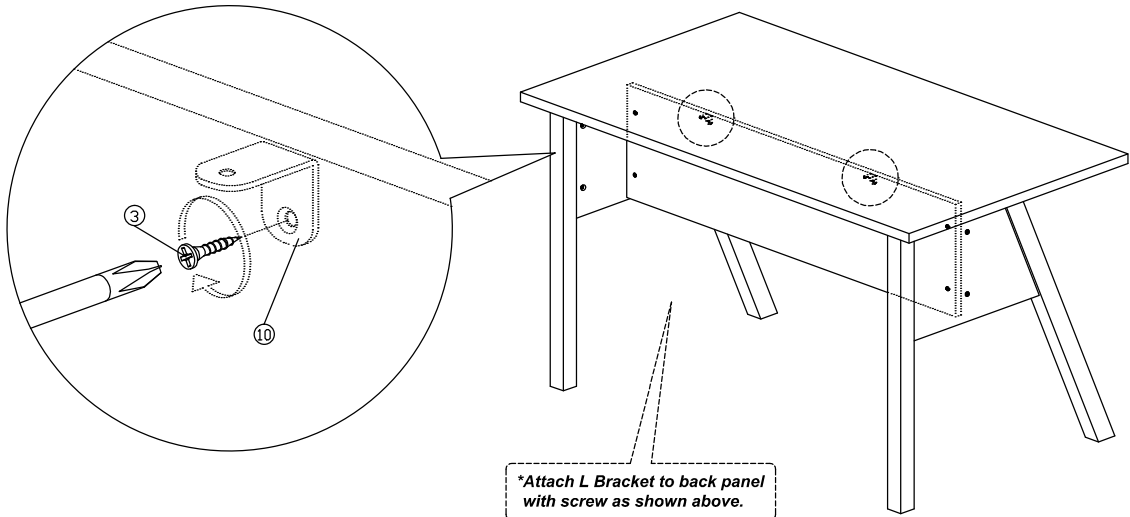


Step 6

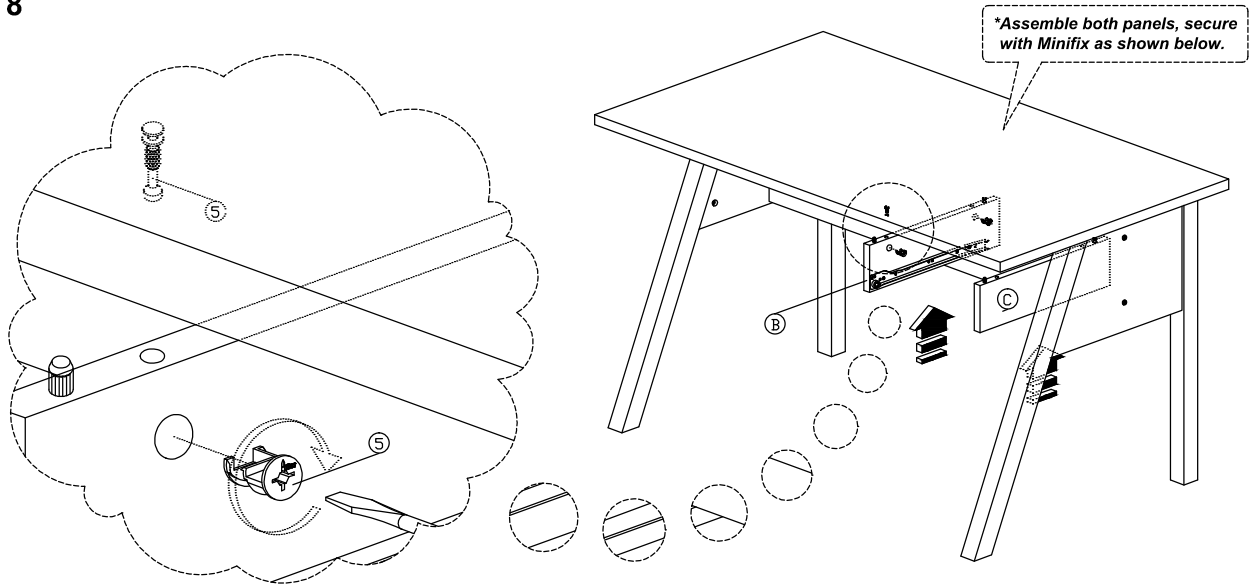


Assembly Instruction

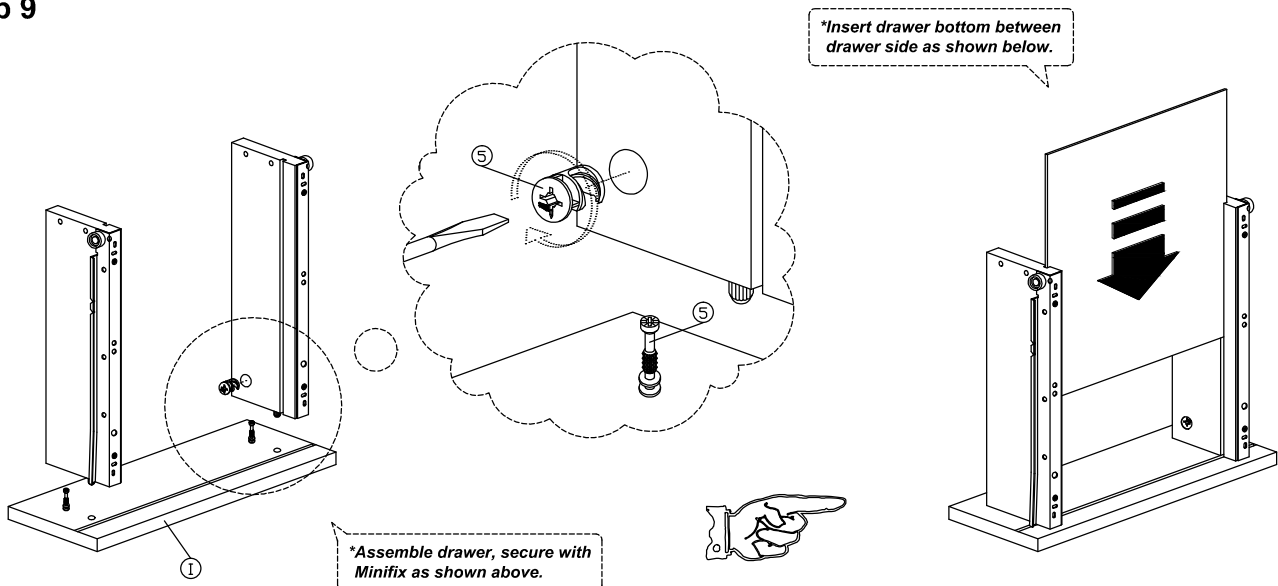
Step 7



Step 8

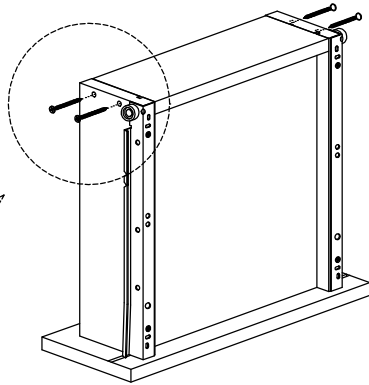
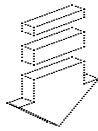
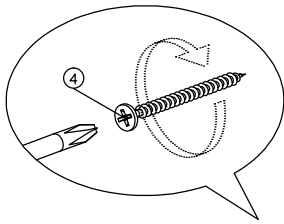


Step 9



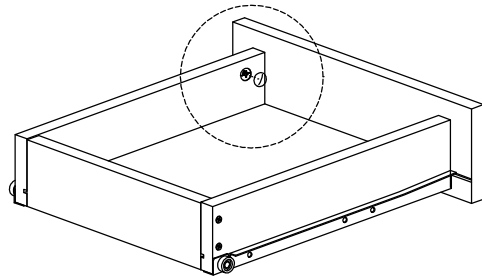
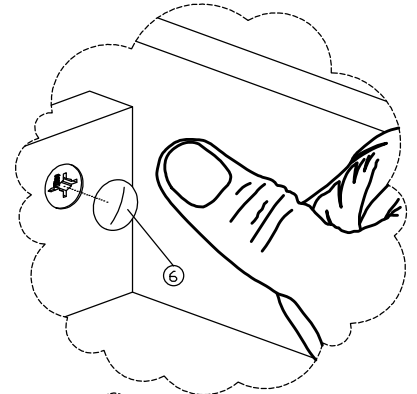
Assembly Instruction

Step 10



**Insert drawer back, secure with screw as shown.*

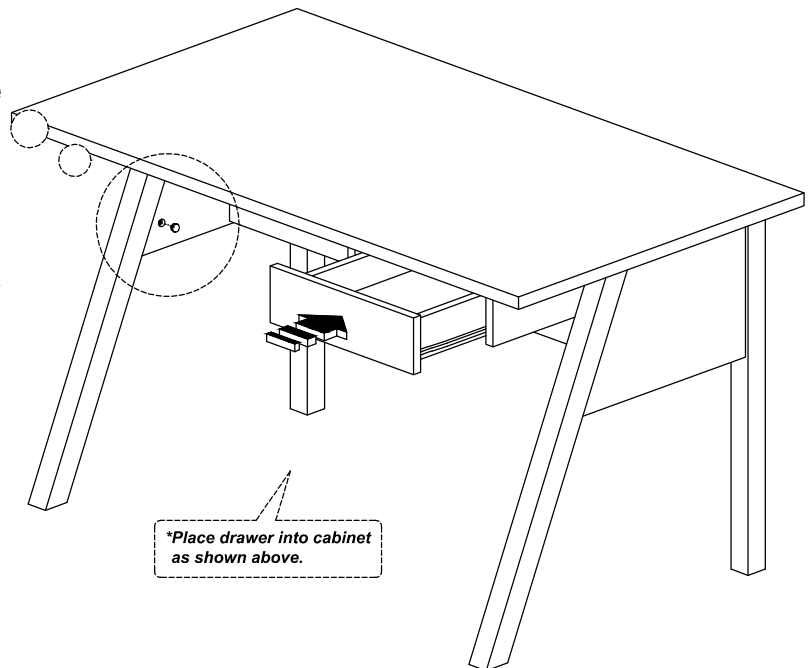
**Attach 2pcs Minifix Cap to drawer side panel as shown.*



Step 11



**Attach 4pcs Minifix Cap to both side panels as shown.*



**Place drawer into cabinet as shown above.*