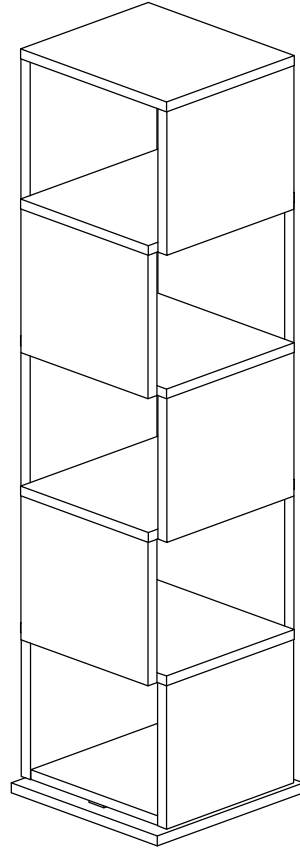
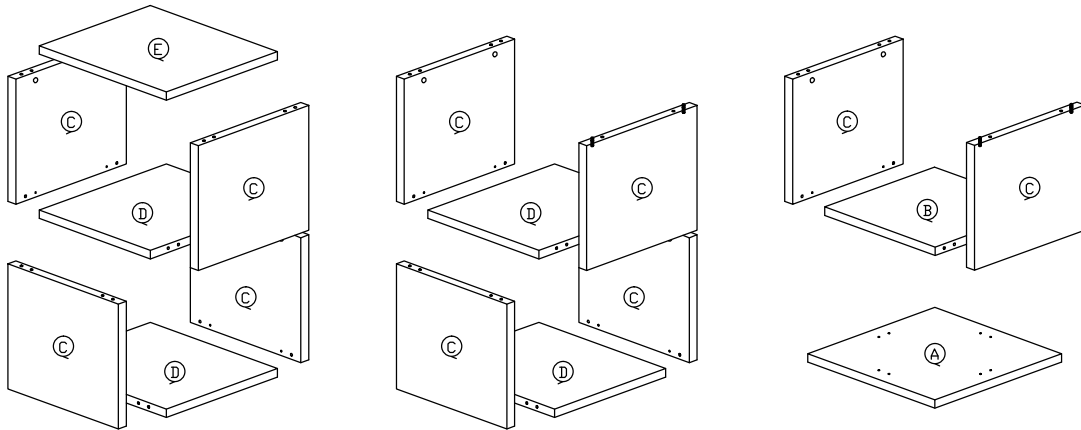


Assembly Instruction

Model : WI4891





Part List

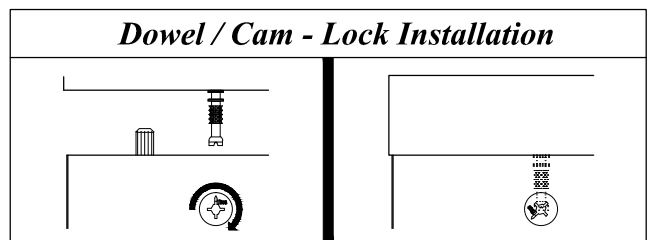


Hardware List

No.	SHAPE	DESCRIPTION	Qty.
1		8x25mm Wood Dowel	40Pcs
2		15MM Titus Mini Fix	40Sets
3		M3.5x16mm Screw	4Pcs
4		M4x50mm Screw	1Pc
5		15mm Minifix Cap (hole)	20Pcs
6		Nail Leg	4Pcs

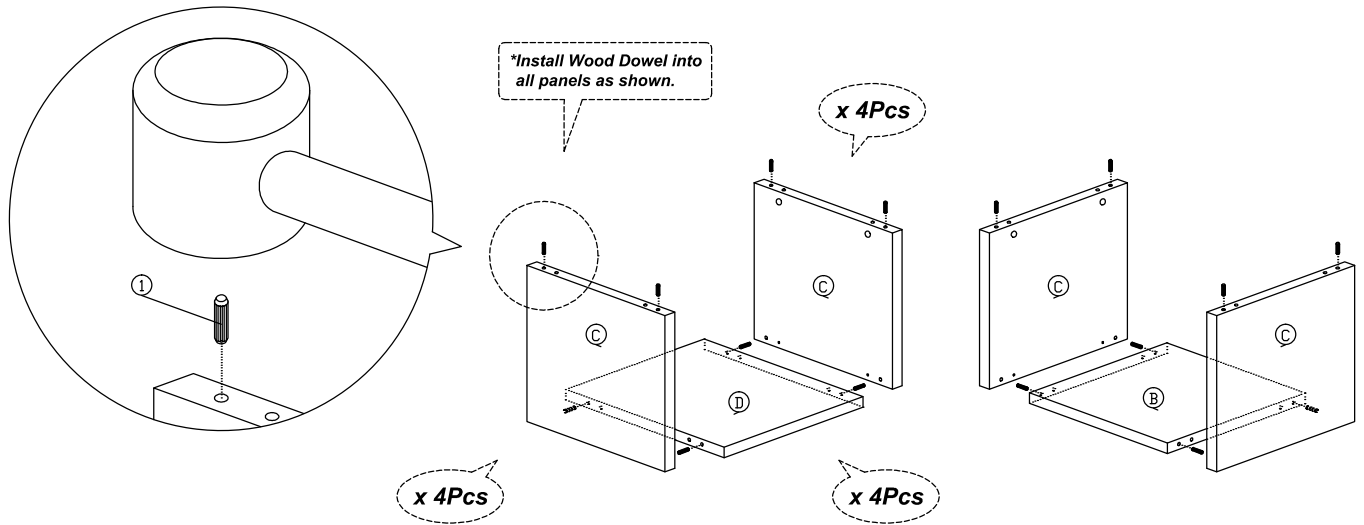
7		Turning Plate 12" - 2113	1Set
8		2 Pin Stopper	4Pcs

Dowel / Cam - Lock Installation

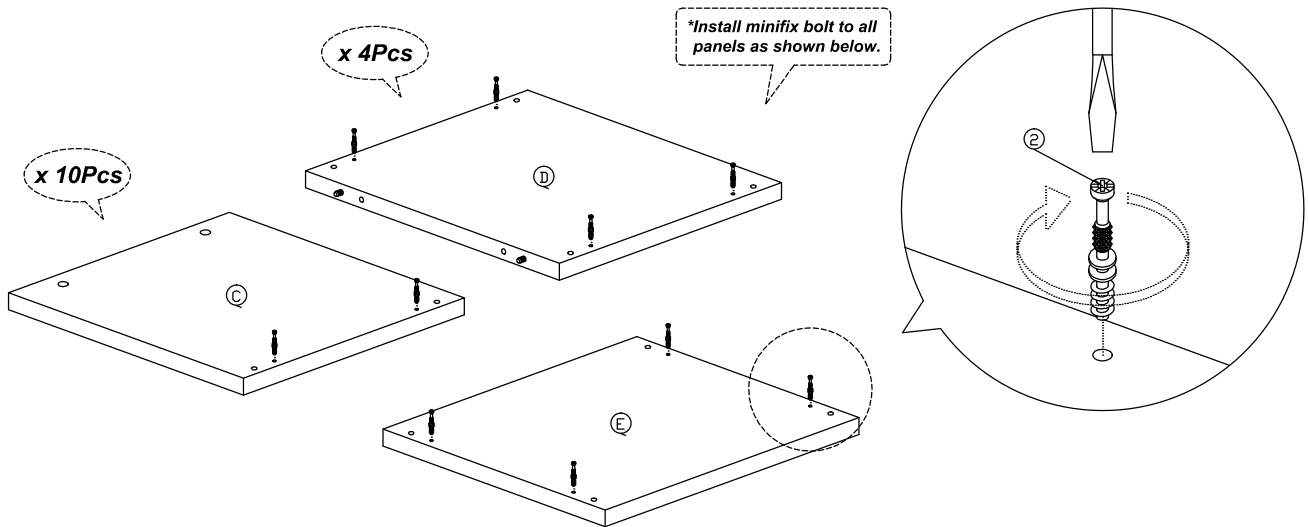


Assembly Instruction

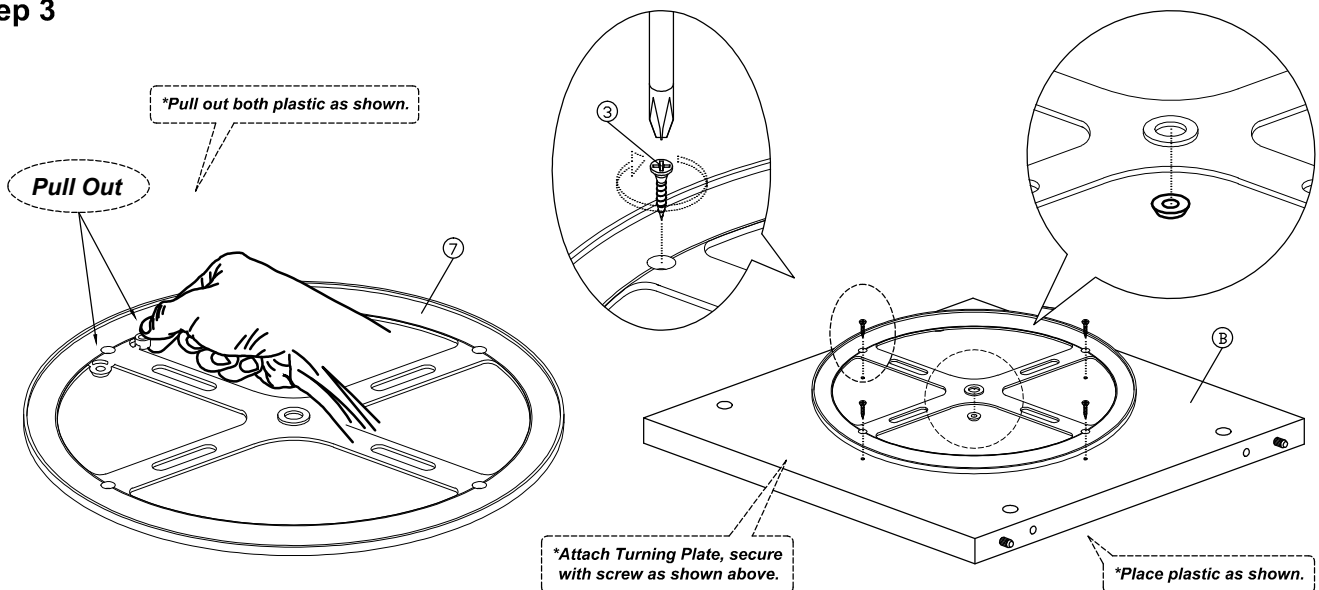
Step 1



Step 2

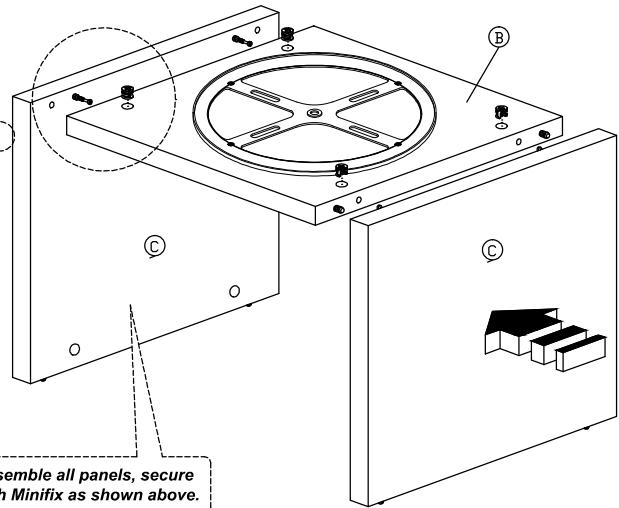
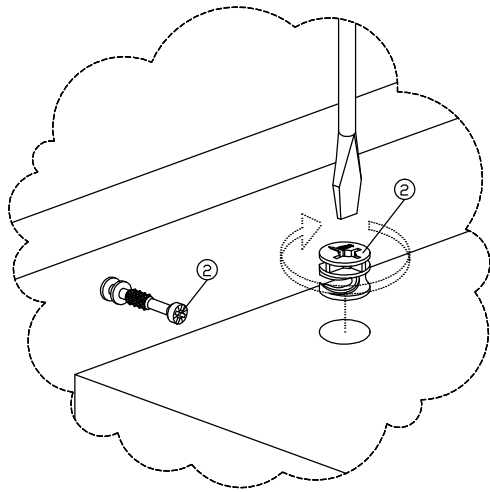


Step 3

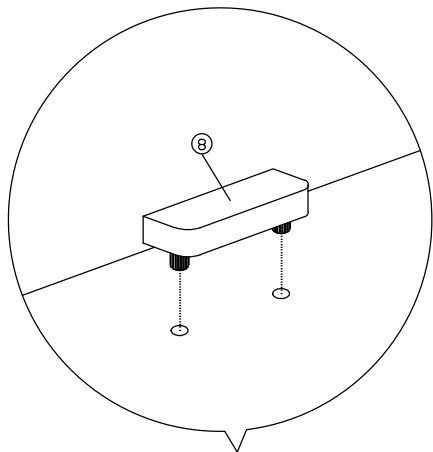


Assembly Instruction

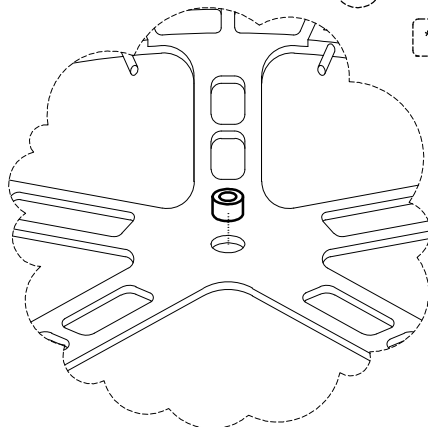
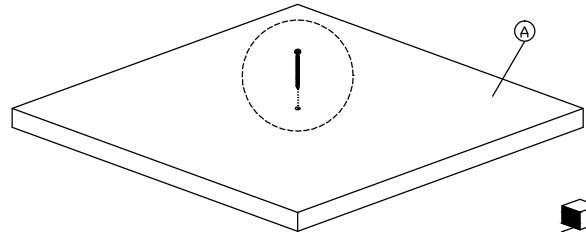
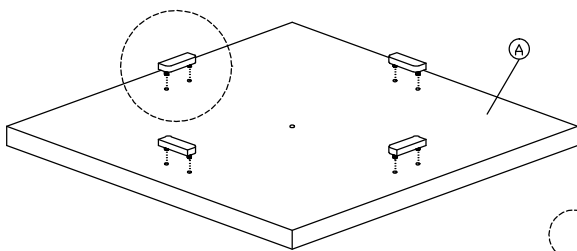
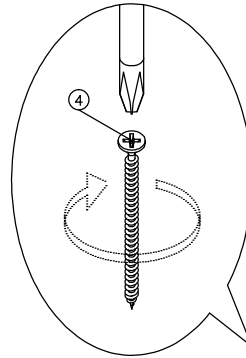
Step 4



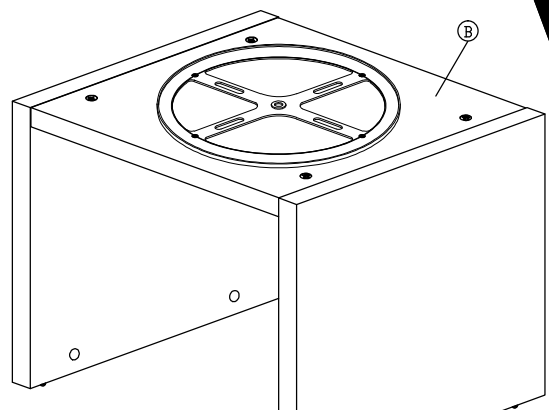
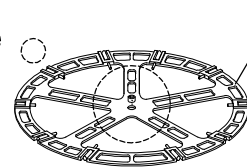
Step 5



**Attach 2 Pin Stopper to panel as shown below.*

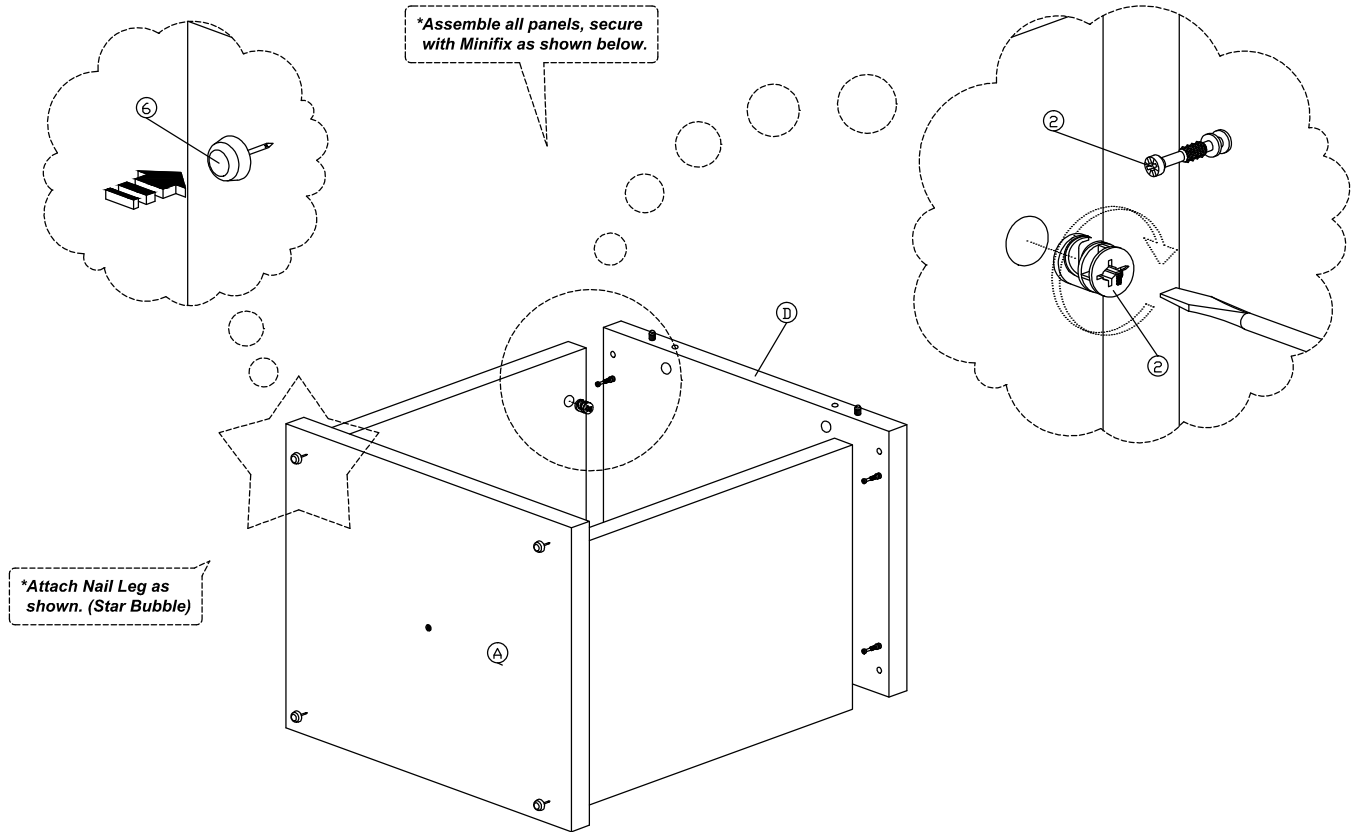


**Place plastic as shown.*

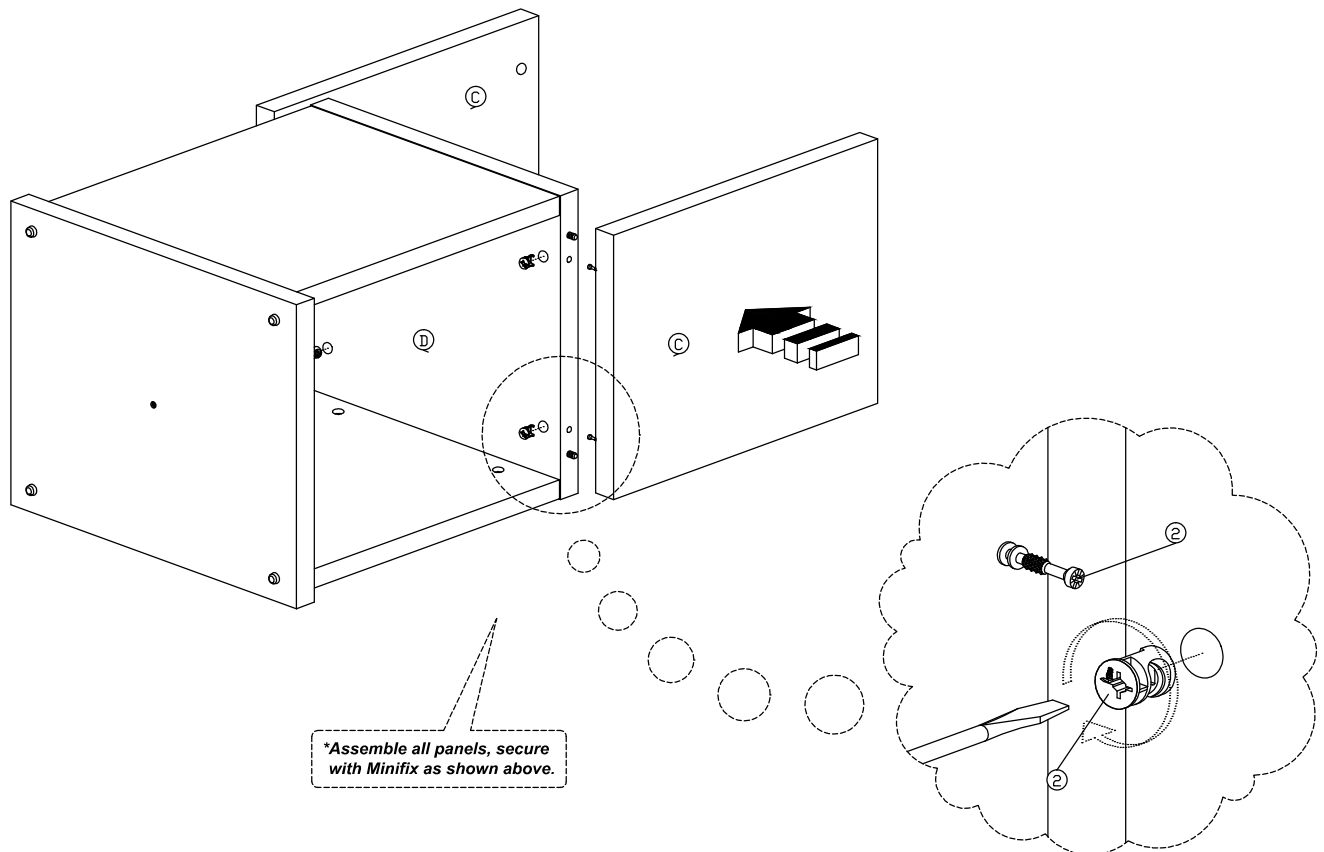


Assembly Instruction

Step 6

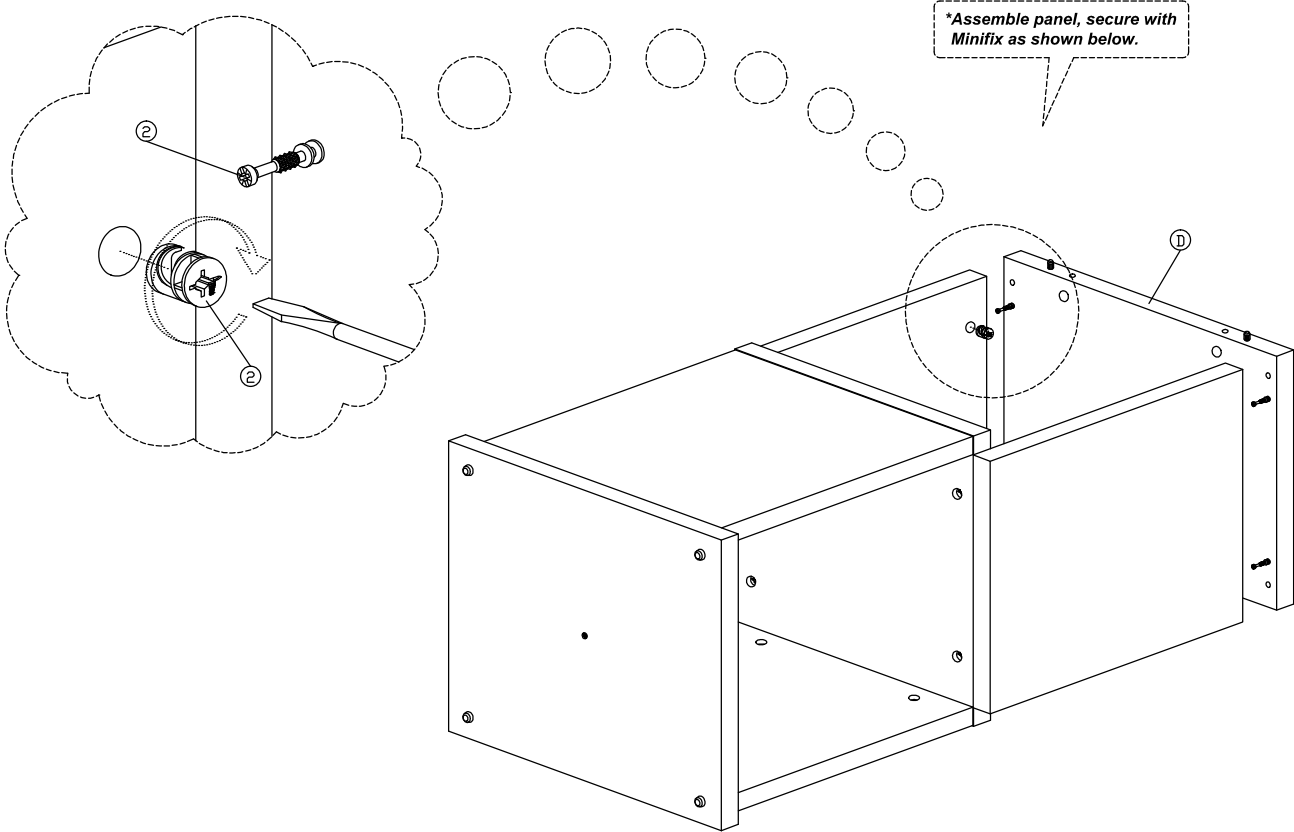


Step 7

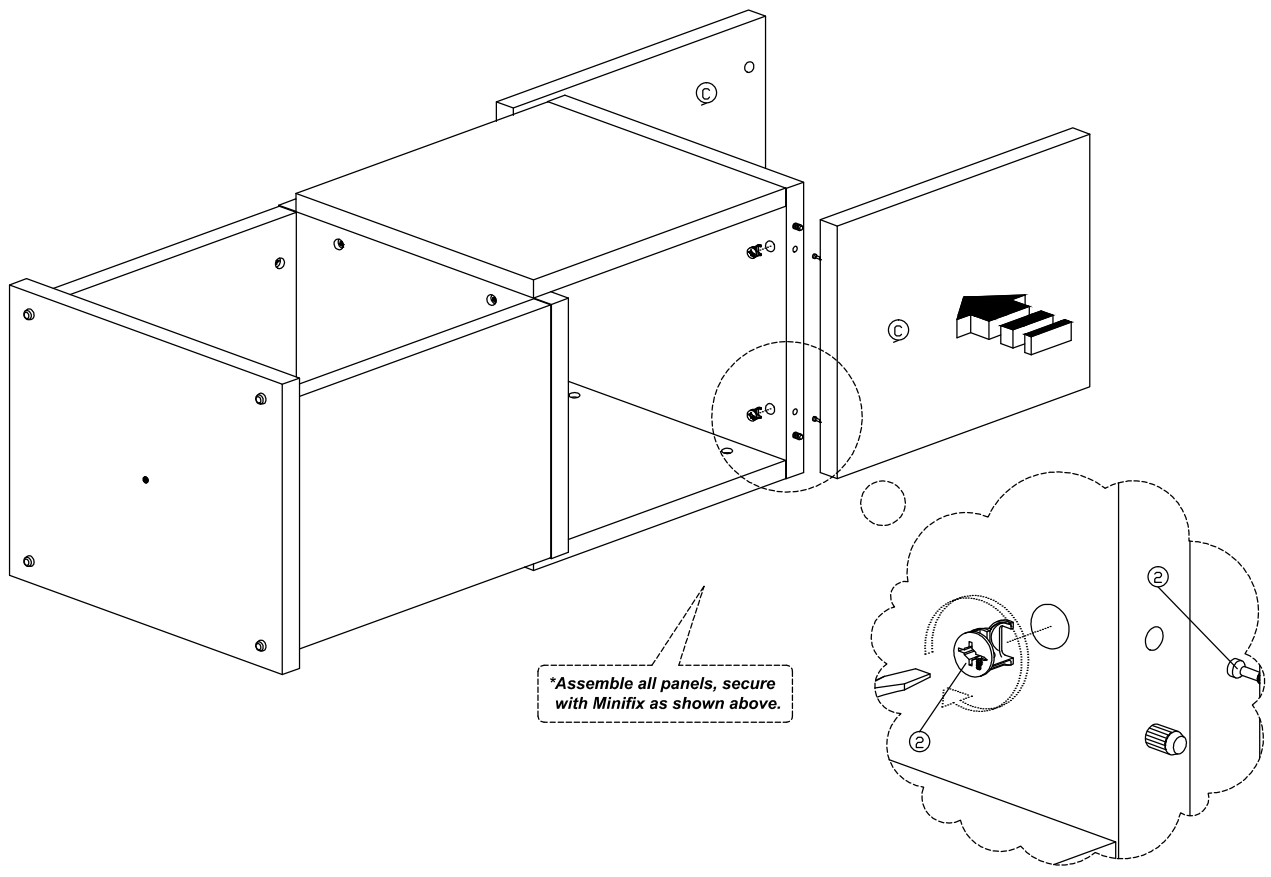


Assembly Instruction

Step 8

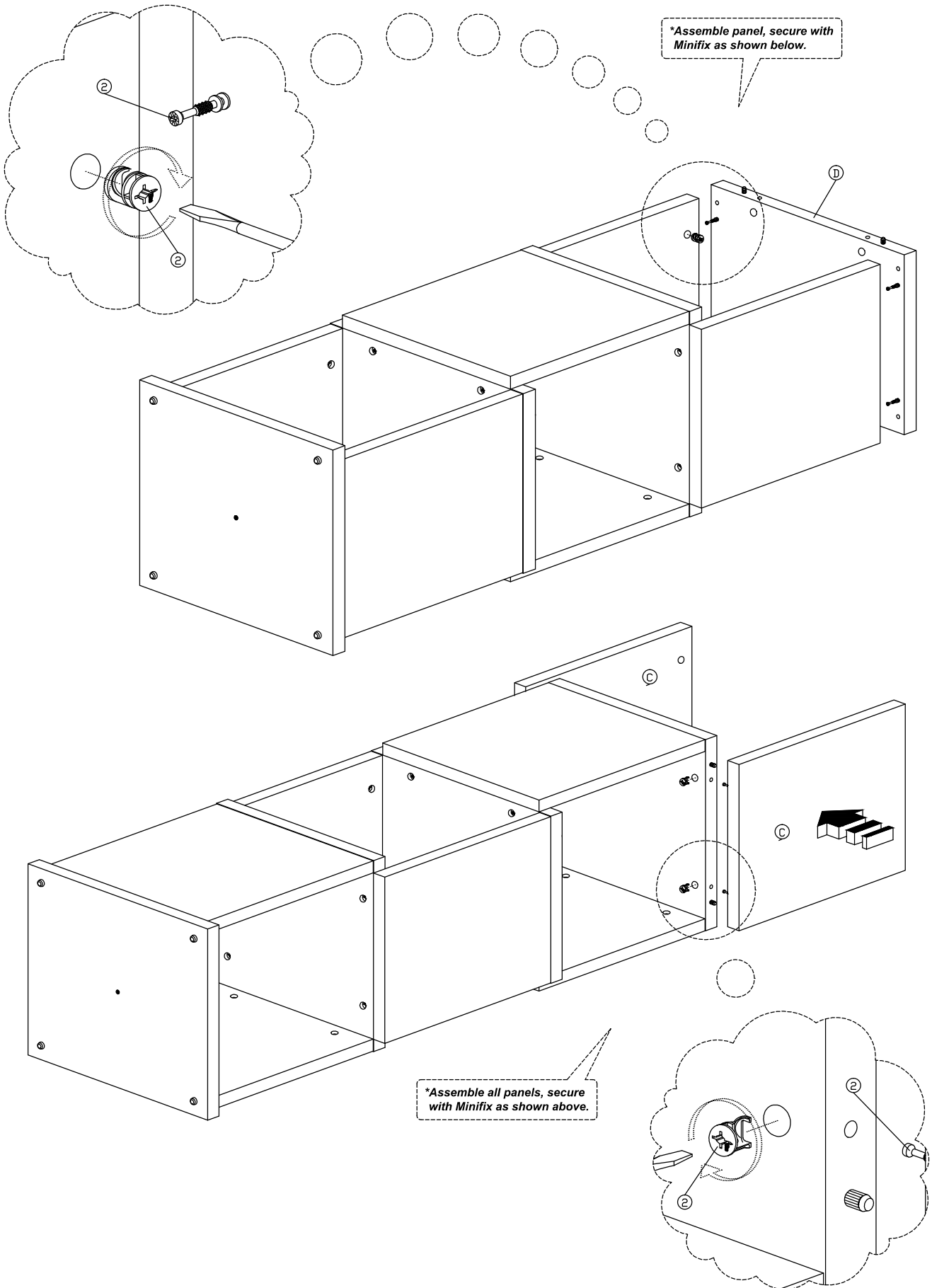


Step 9



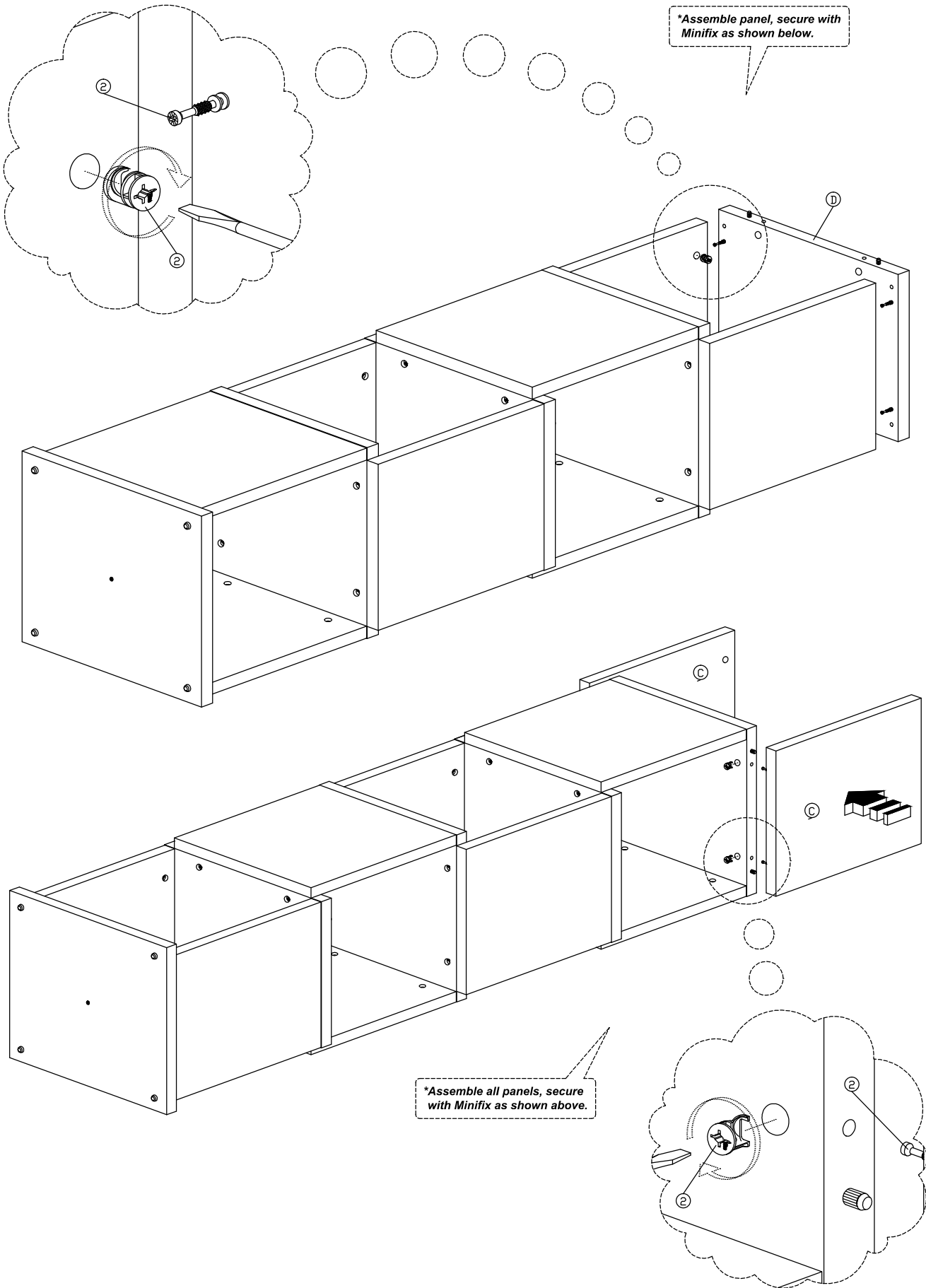
Assembly Instruction

Step 10



Assembly Instruction

Step 11



Assembly Instruction

Step 12

