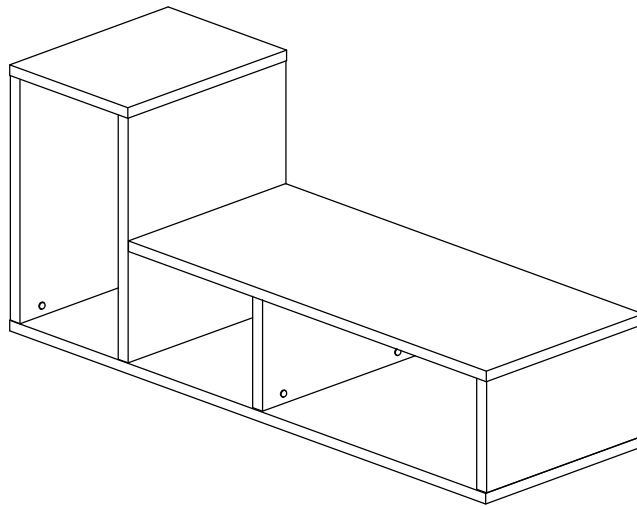
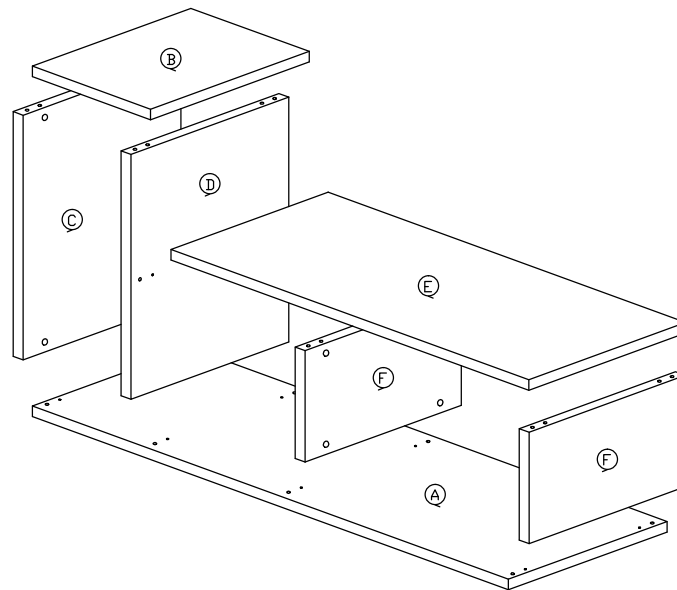


Assembly Instruction

Model : WI4887



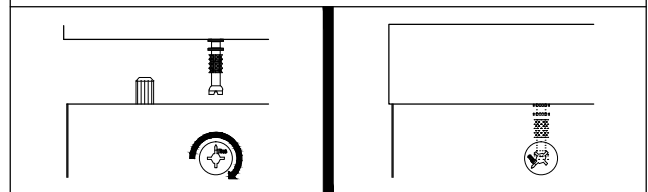
Part List



Hardware List

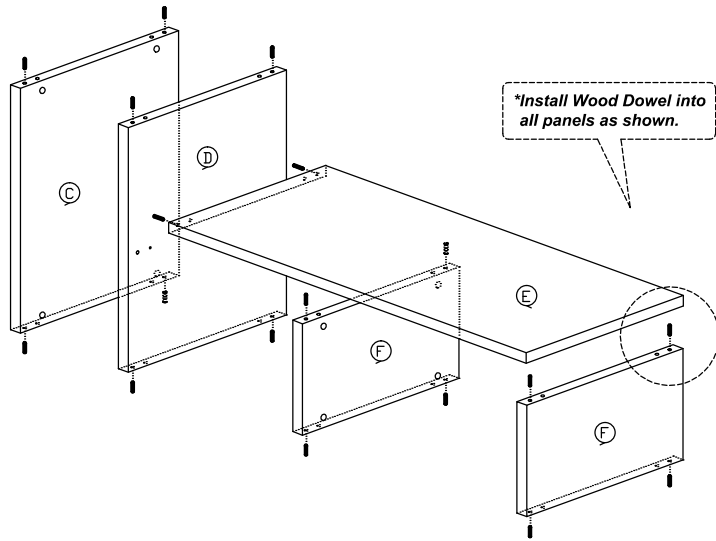
No.	SHAPE	DESCRIPTION	Qty.
1		8x25mm Wood Dowel	18Pcs
2		15MM Titus Mini Fix	18Sets
3		15mm Minifix Cap (hole)	18Pcs
4		Nail Leg	6Pcs

Dowel / Cam - Lock Installation

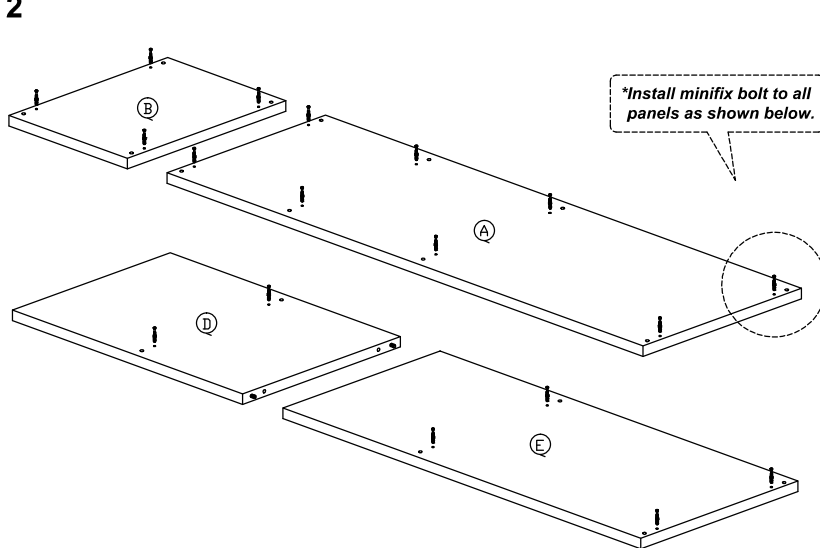


Assembly Instruction

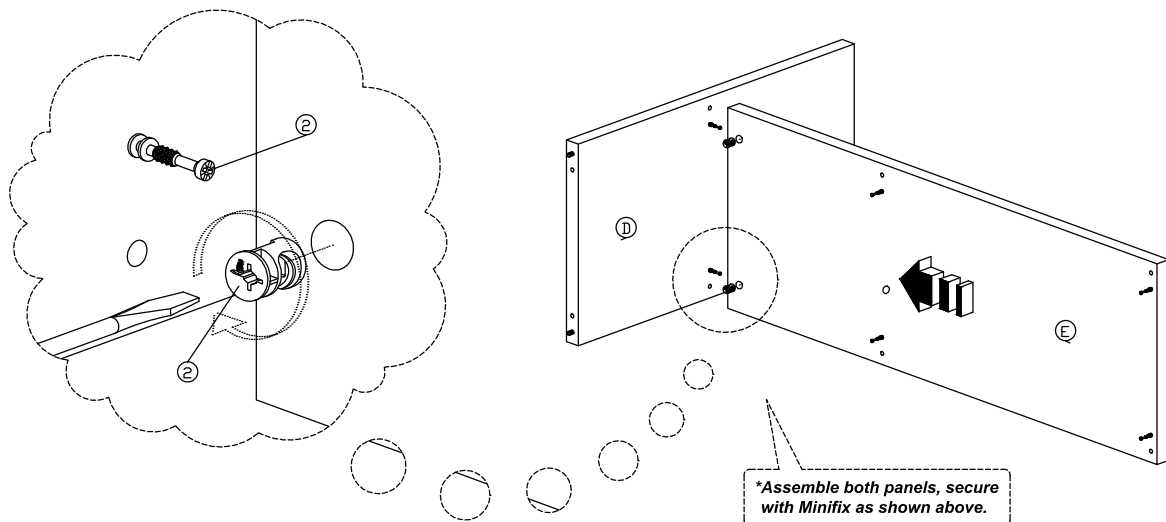
Step 1



Step 2

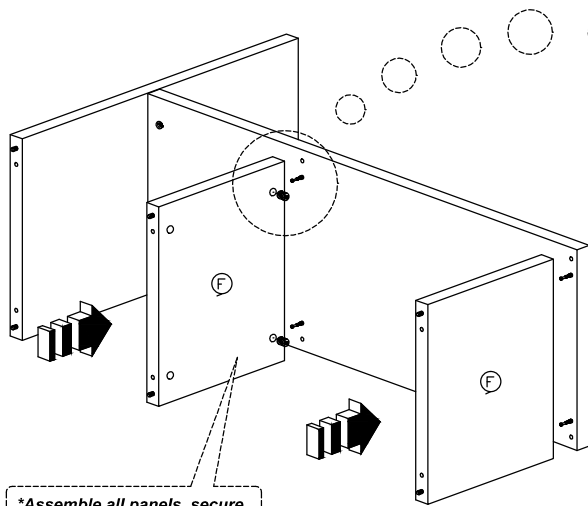


Step 3

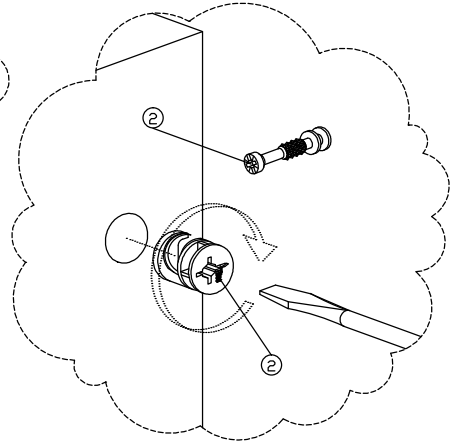


Assembly Instruction

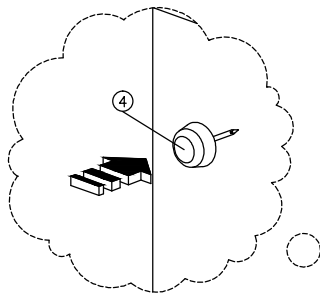
Step 4



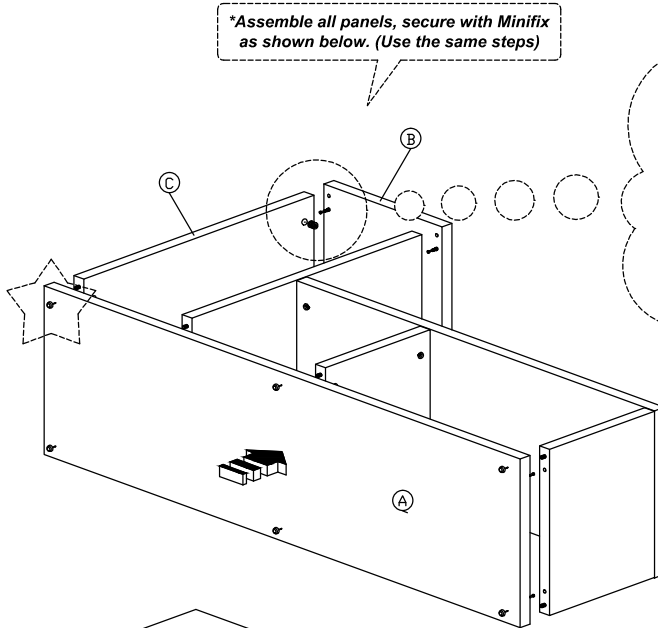
**Assemble all panels, secure with Minifix as shown above.*



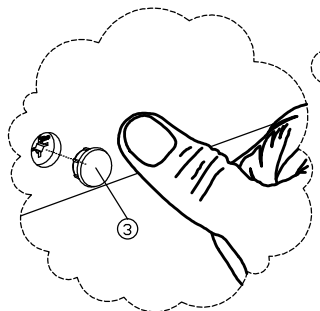
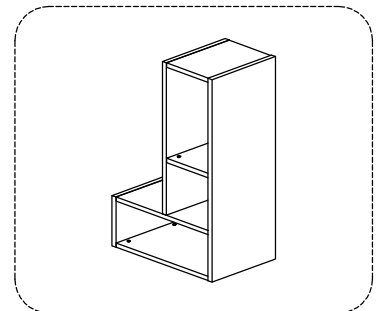
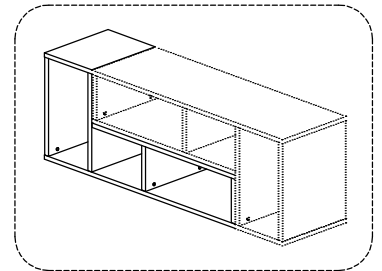
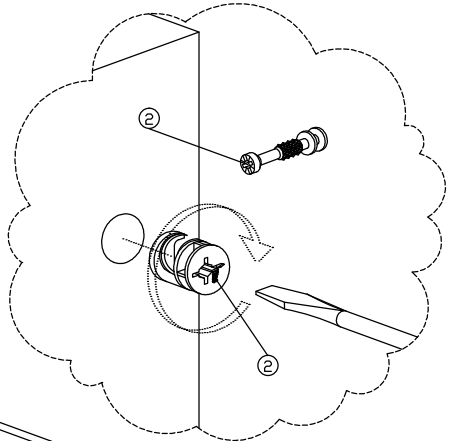
Step 5



**Attach Nail Leg as shown. (Star Bubble)*



**Assemble all panels, secure with Minifix as shown below. (Use the same steps)*



**Attach Minifix Cap to all panels as shown.*

**Please have the nail legs on the bottom parts of the panel A,B & C. Refer image on the right side.*