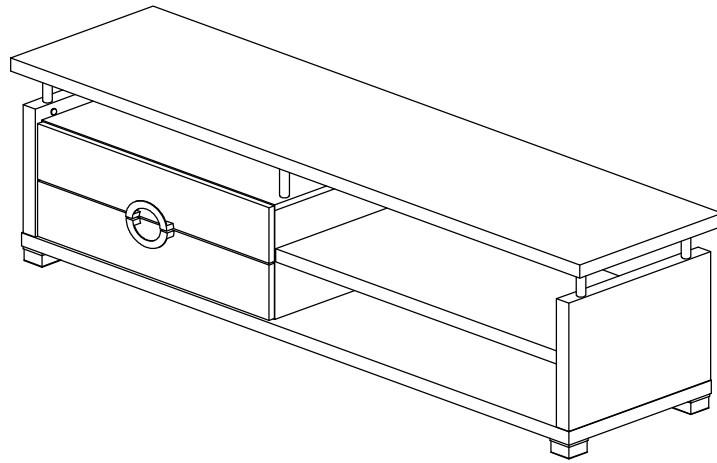
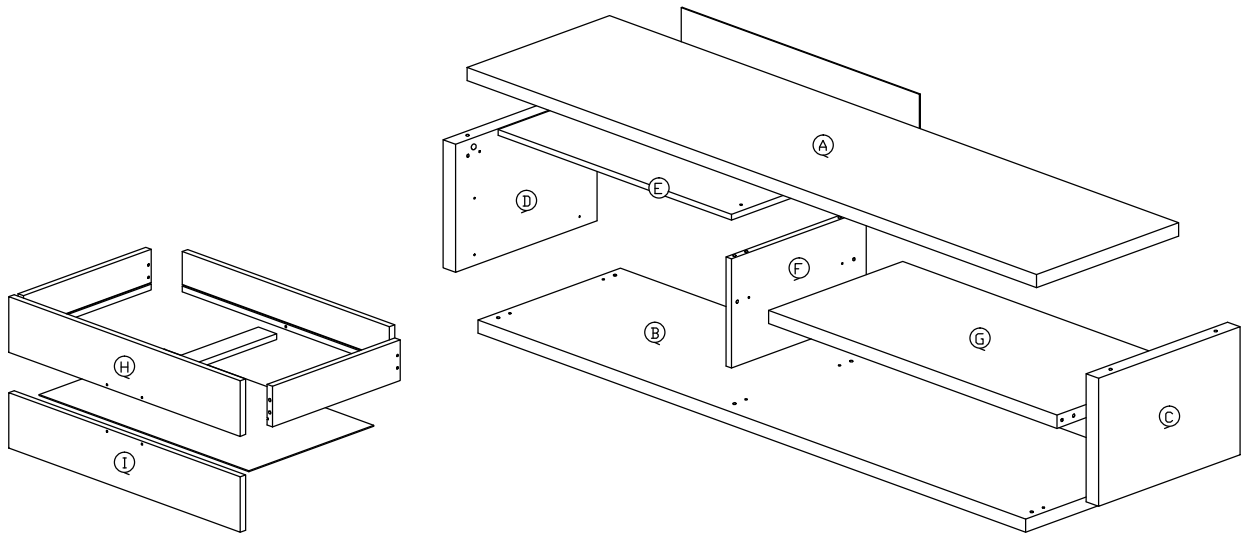


Assembly Instruction

Model : WI4886 (3A)



Part List

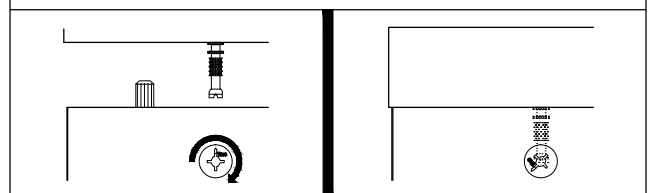


Hardware List

No.	SHAPE	DESCRIPTION	Qty.
1		8x25mm Wood Dowel	18Pcs
2		M5x8mm Screw (Euro Screw)	8Pcs
3		M3.5x15mm Screw	20Pcs
4		M4x38mm Screw	10Pcs
5		M4x65mm Screw	6Pcs
6		M6x25mm JCBC Screw	2Pcs
7		15MM Titus Mini Fix	14Sets
8		Minifix Cam 10606 with 10703 Connecting Bolt	4Sets
9		15mm Minifix Cap	4Pcs
10		15mm Minifix Cap (hole)	4Pcs
11		Nail	18Pcs

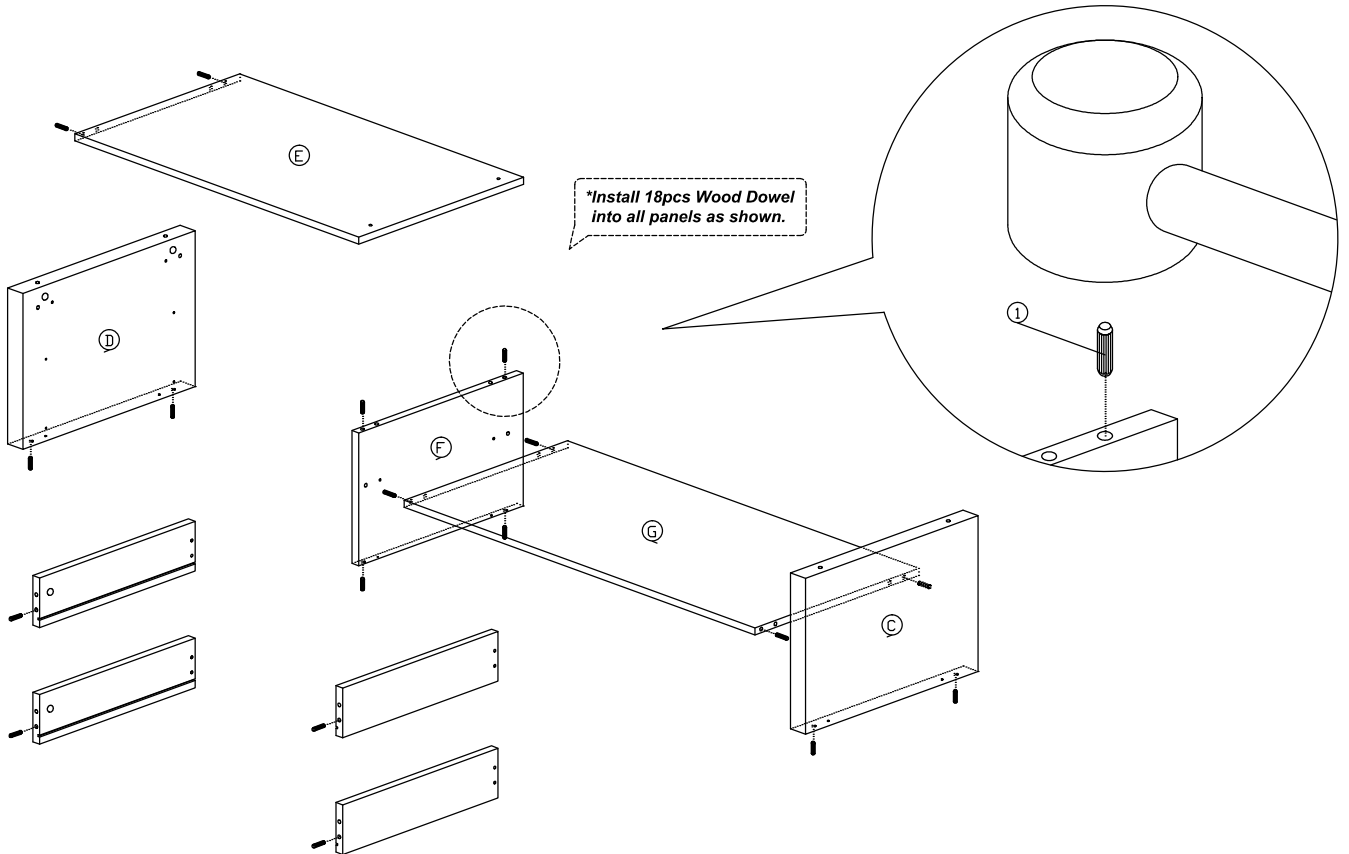
12		Drawer Slide = 350mm	2Sets
13		PVC Square Leg	5Pcs
14		Handle 855-96mm M4 x 20mm	2Sets
15		Steel Pipe (Ø25 x 80mm)	4Pcs
16		Steel Pipe (Ø25 x 110mm)	2Pcs
17		L Key	1Pc

Dowel / Cam - Lock Installation

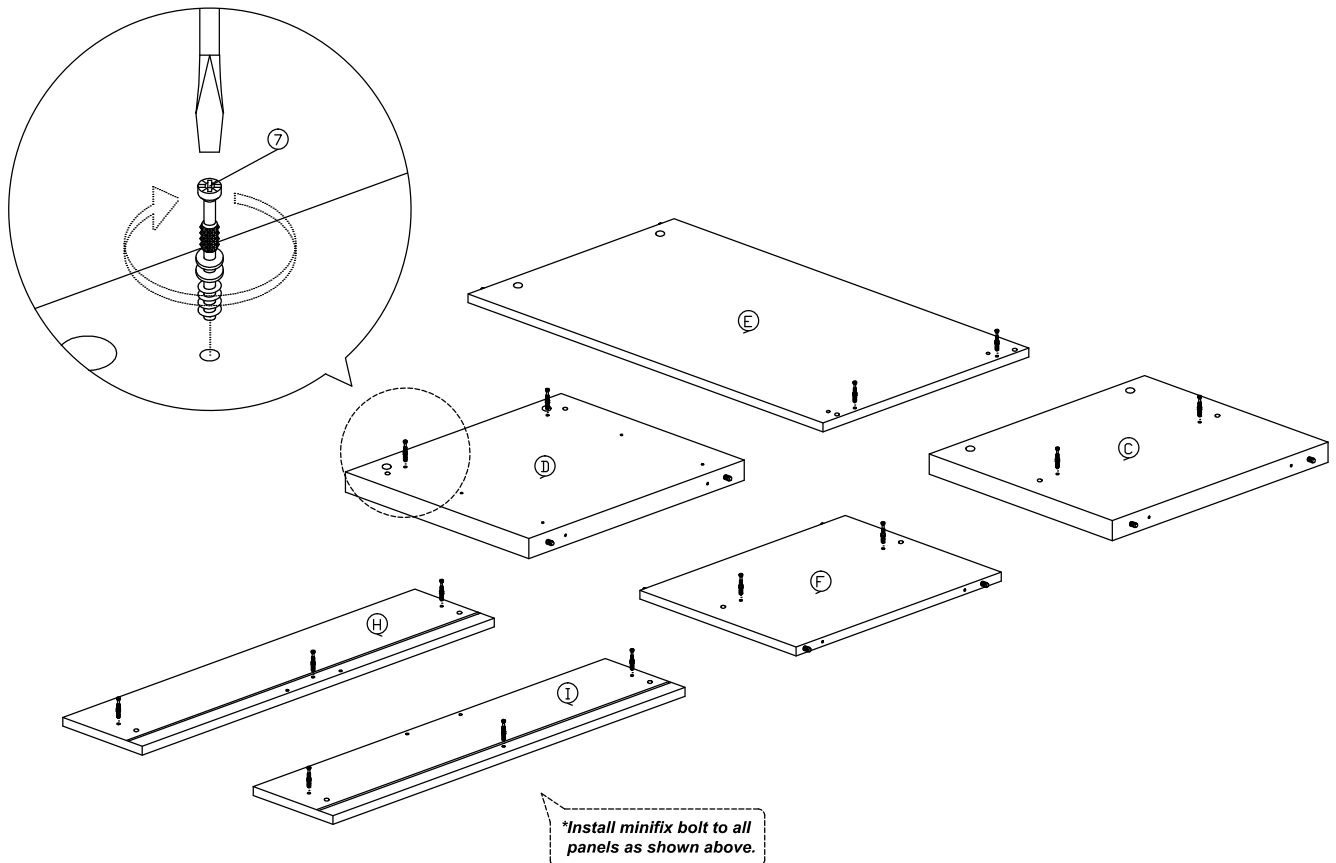


Assembly Instruction

Step 1

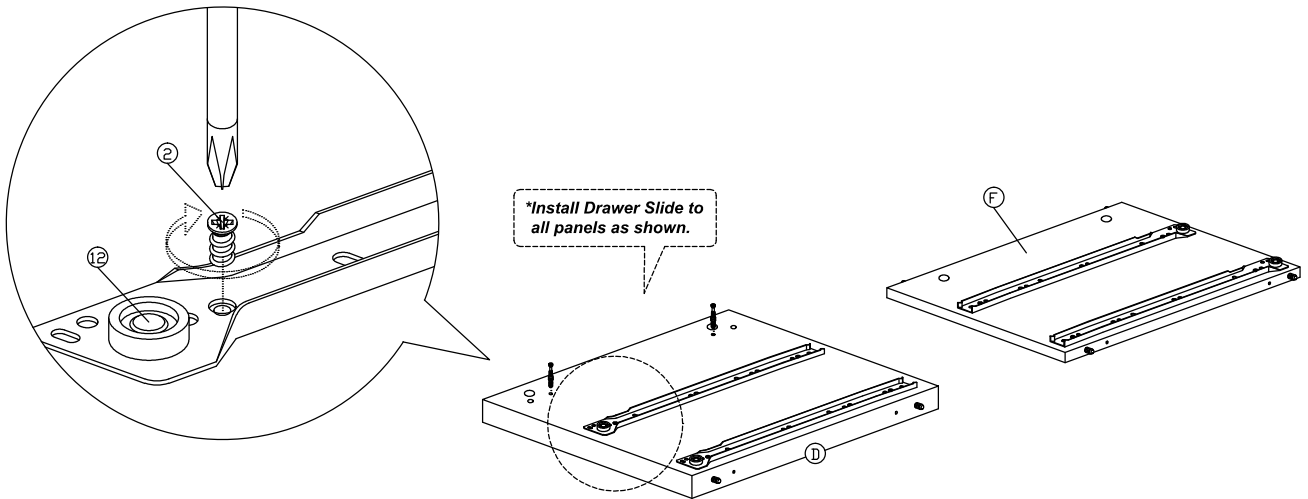


Step 2

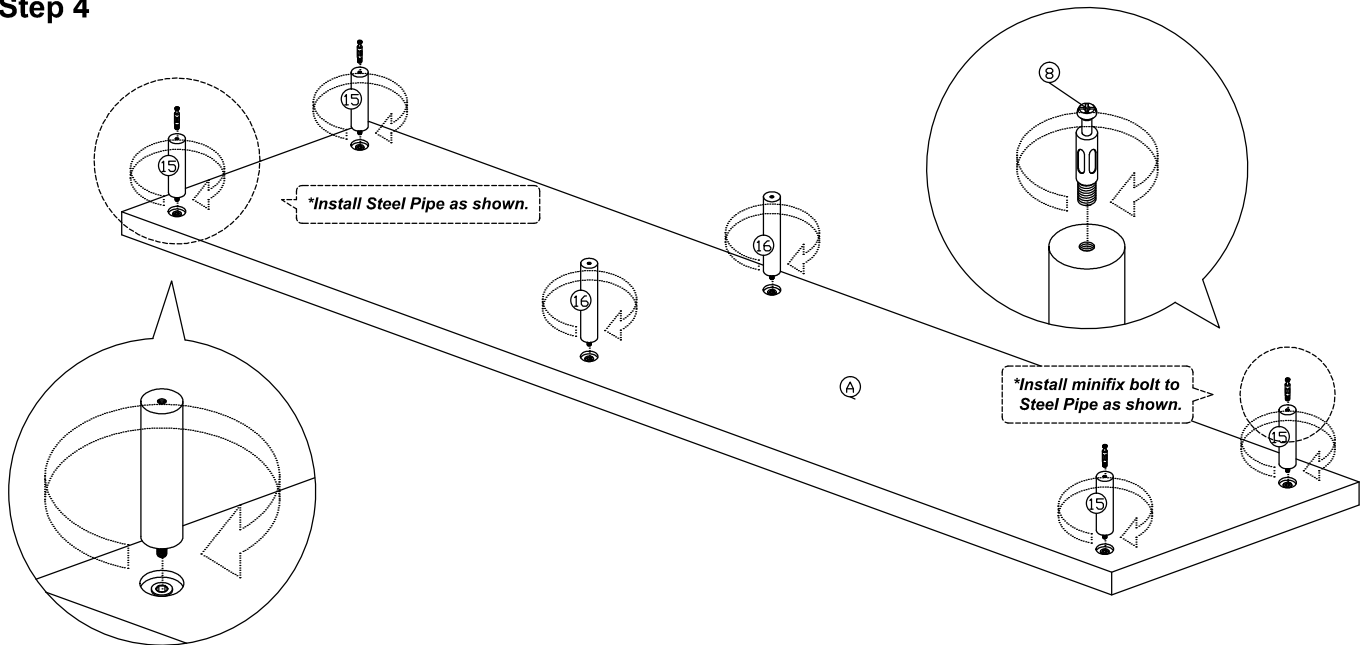


Assembly Instruction

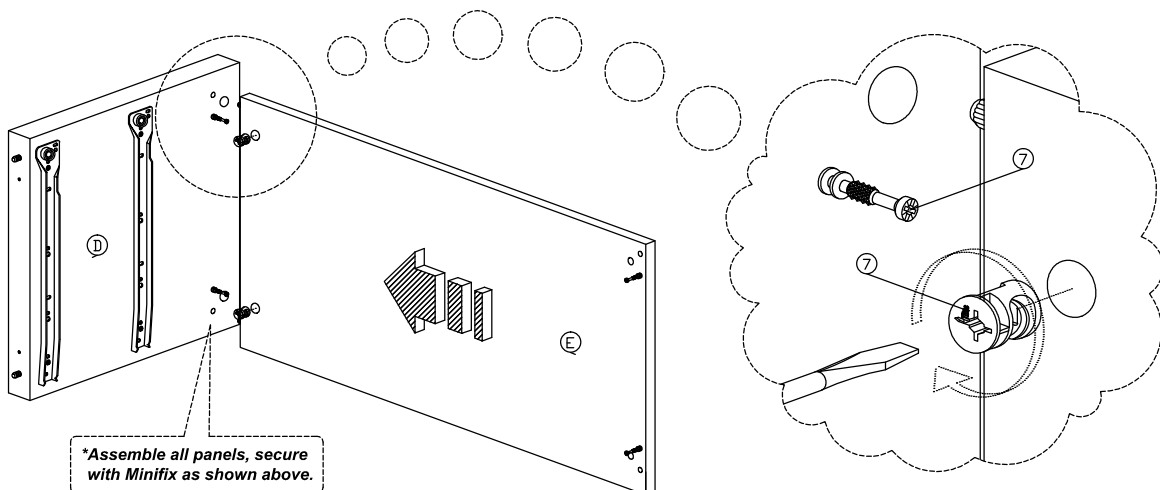
Step 3



Step 4



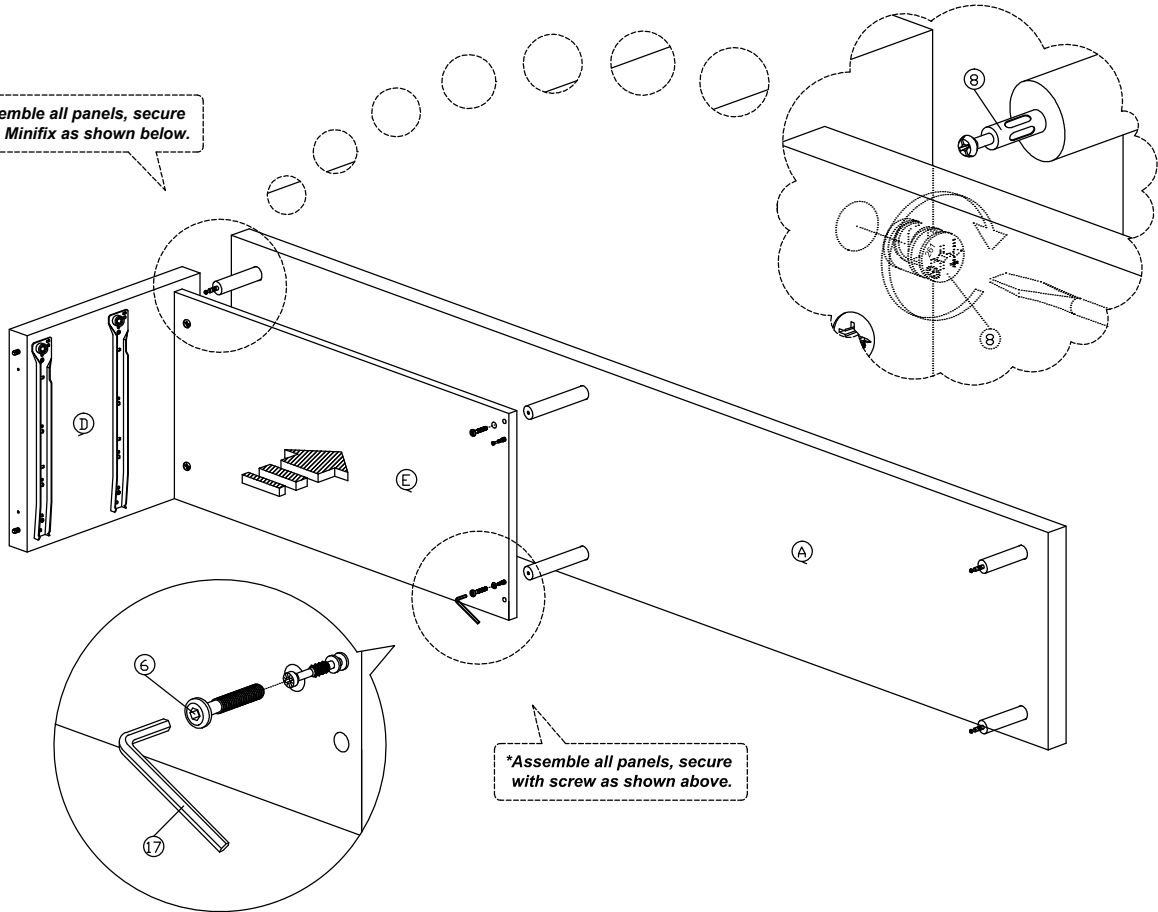
Step 5



Assembly Instruction

Step 6

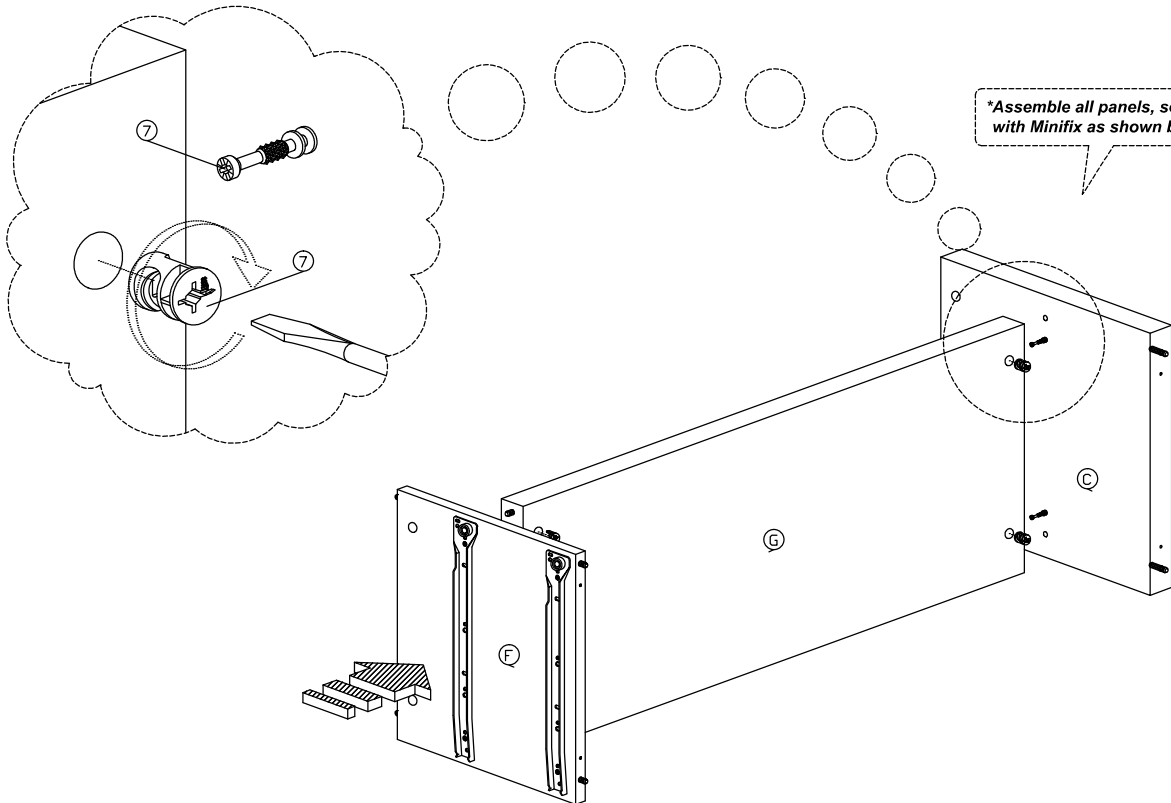
**Assemble all panels, secure with Minifix as shown below.*



**Assemble all panels, secure with screw as shown above.*

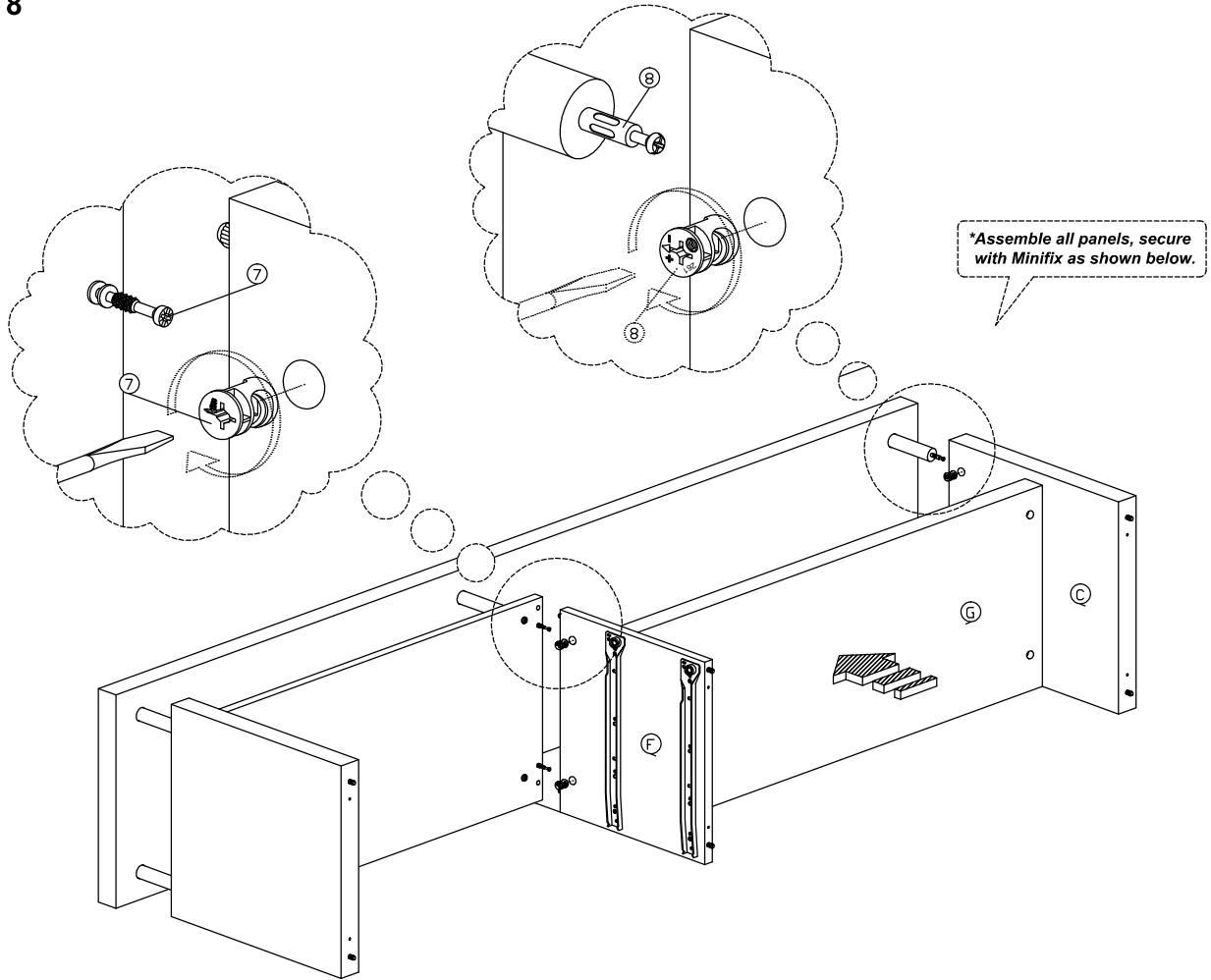
Step 7

**Assemble all panels, secure with Minifix as shown below.*

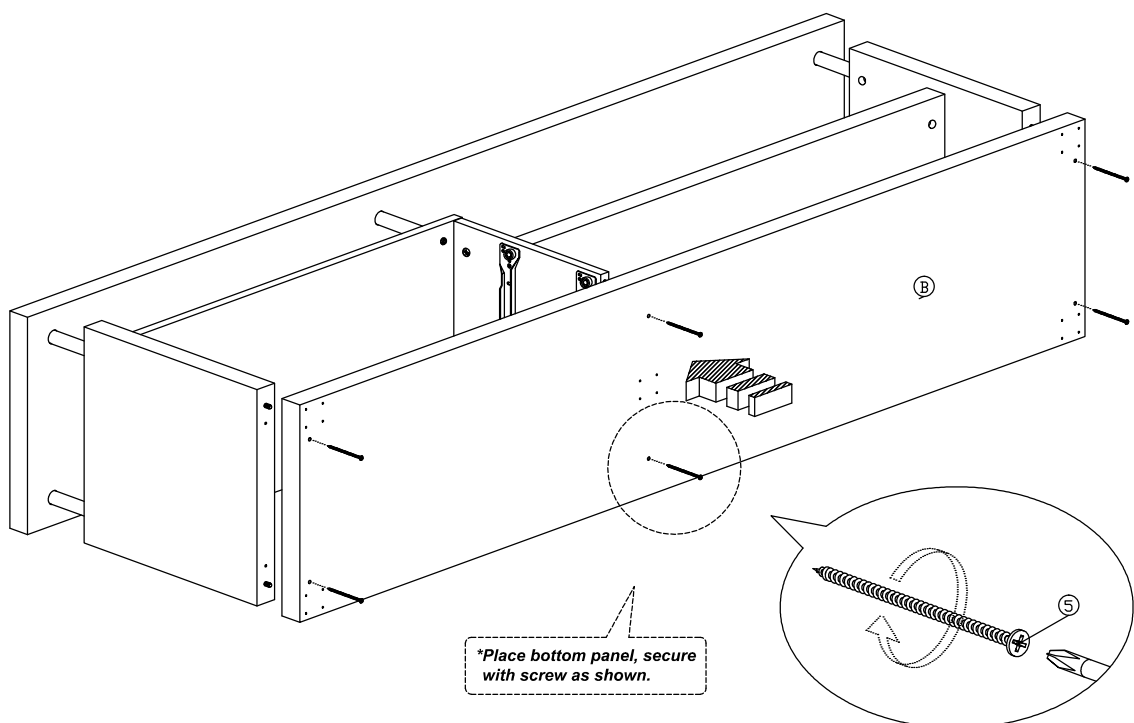


Assembly Instruction

Step 8

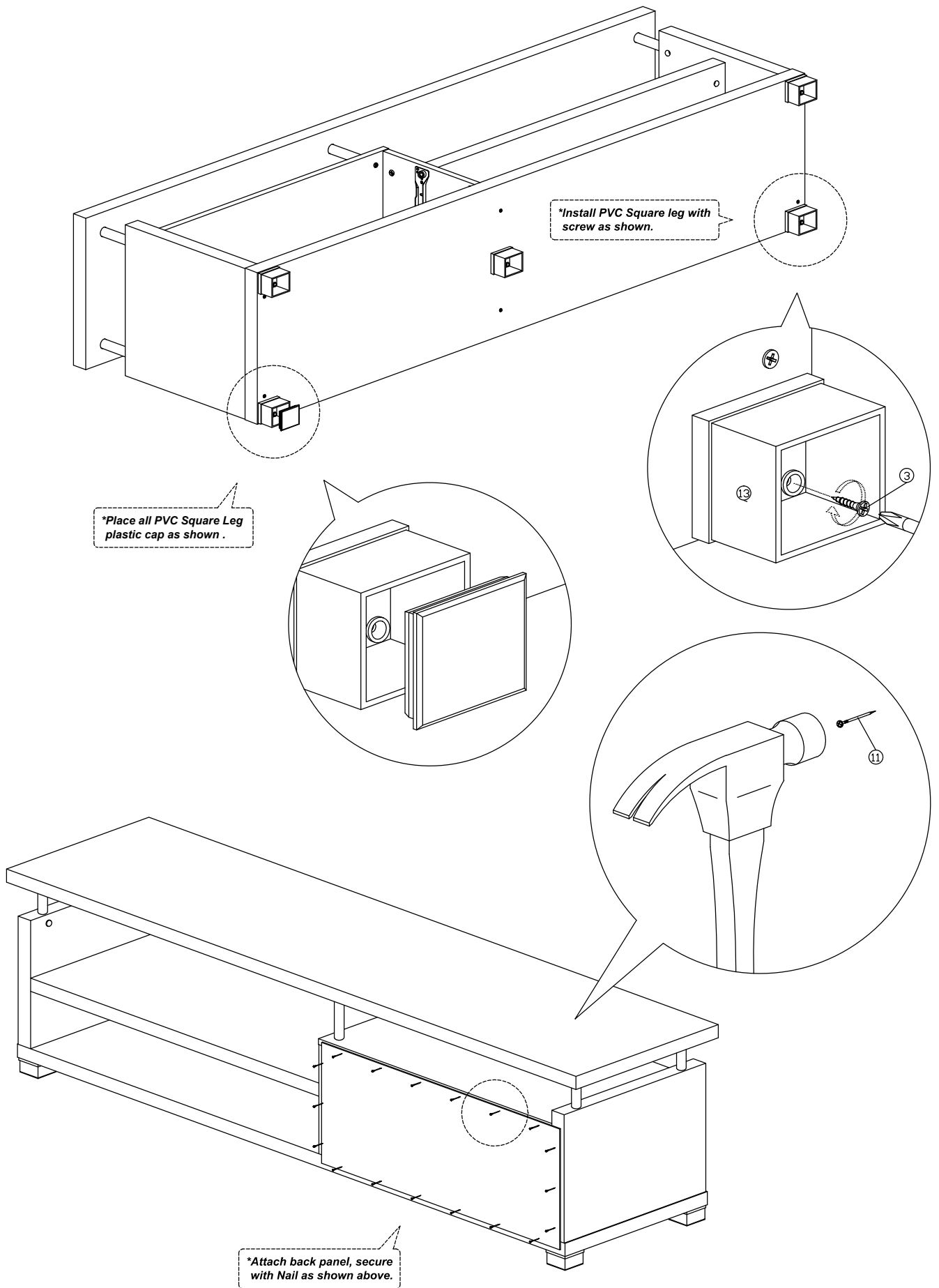


Step 9

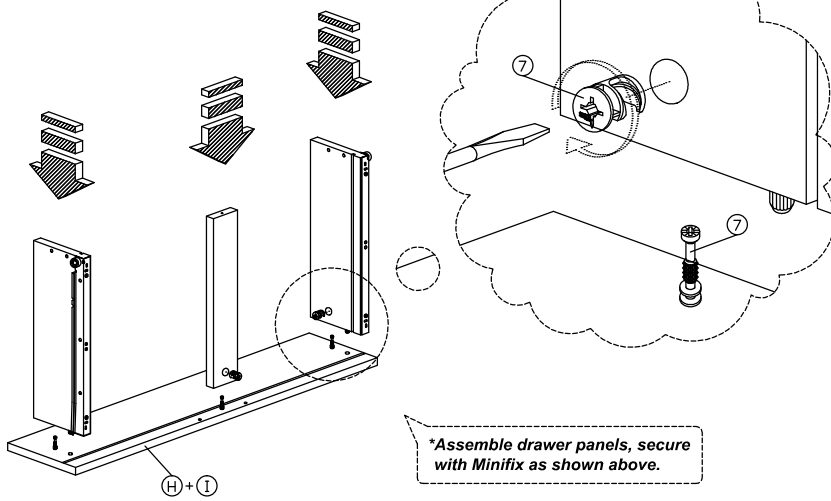


Assembly Instruction

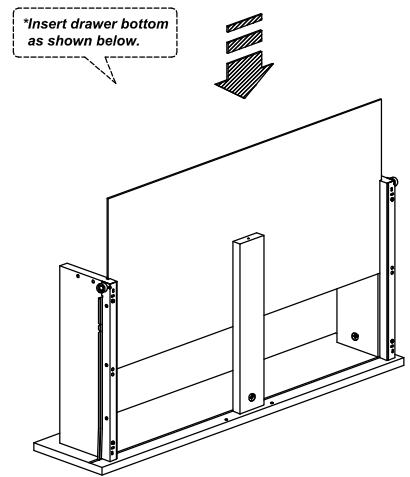
Step 10



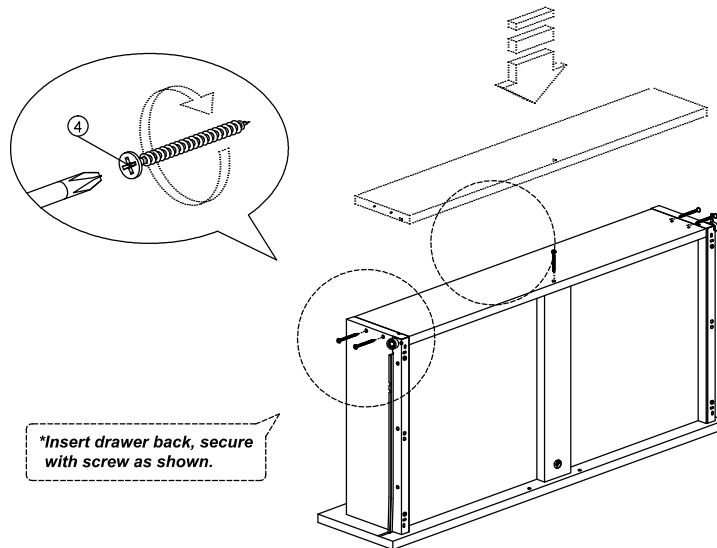
Step 11



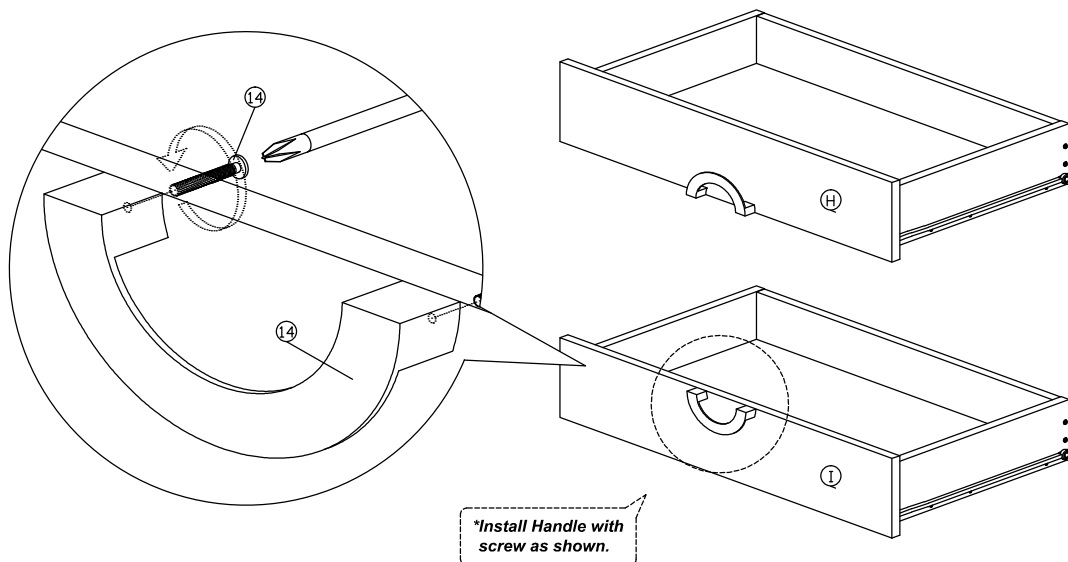
Step 12



Step 13

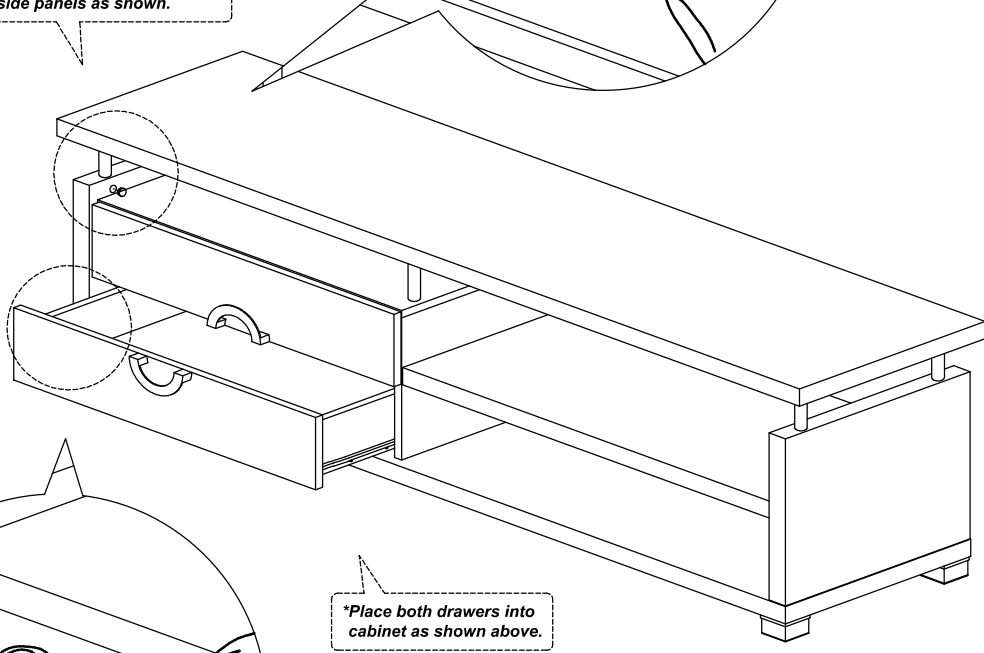
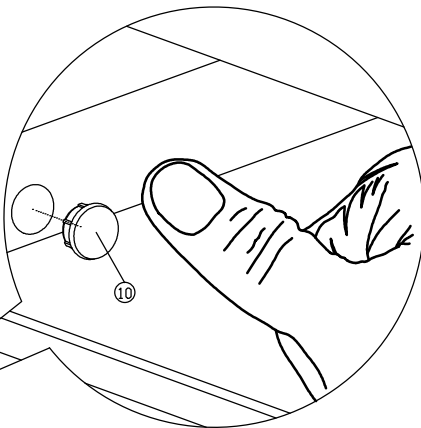


Step 14



Step 15

**Attach Minifix Cap to both side panels & drawer side panels as shown.*



**Place both drawers into cabinet as shown above.*

