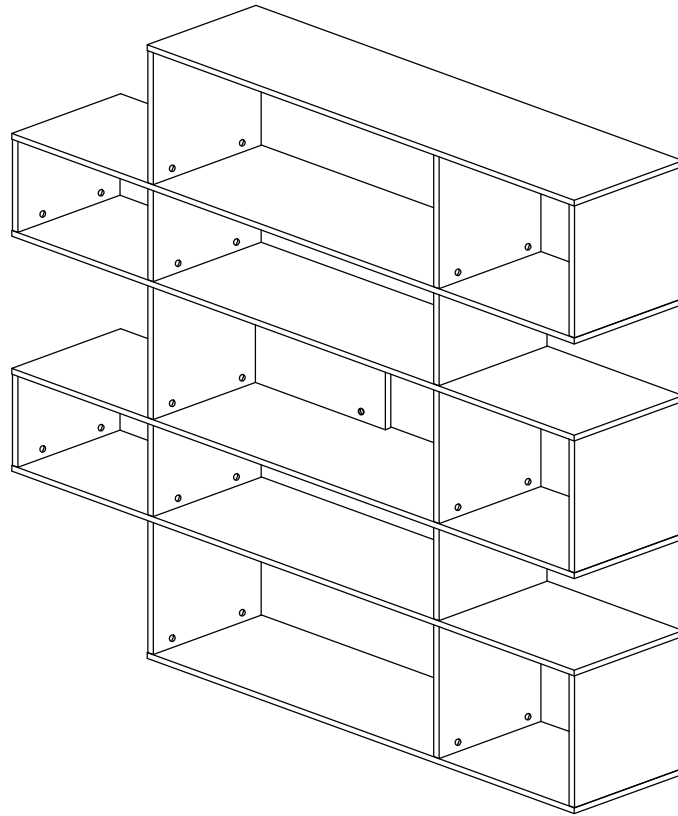
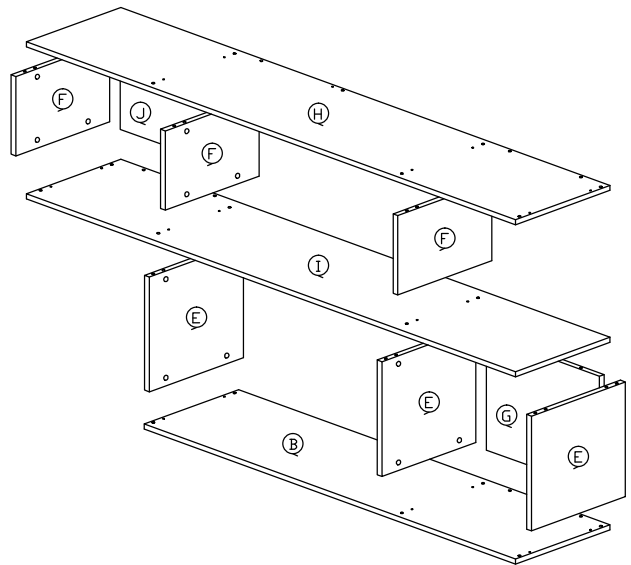
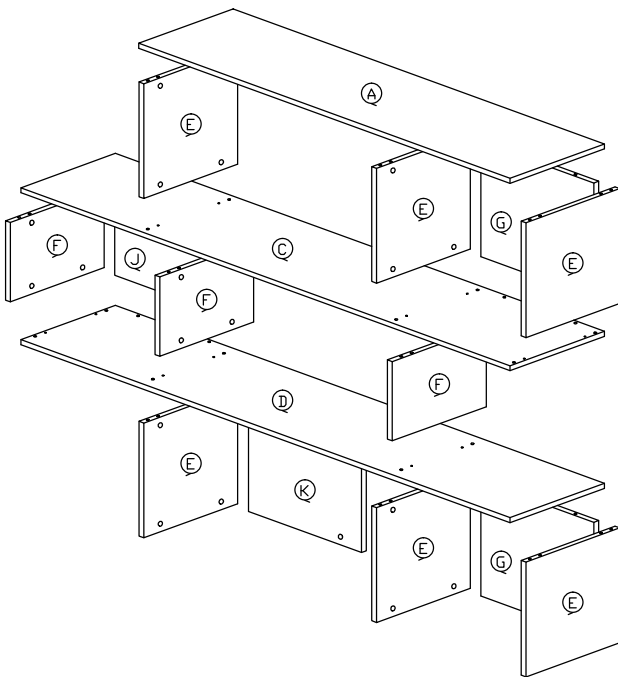


Assembly Instruction

Model : WI4884



Part List

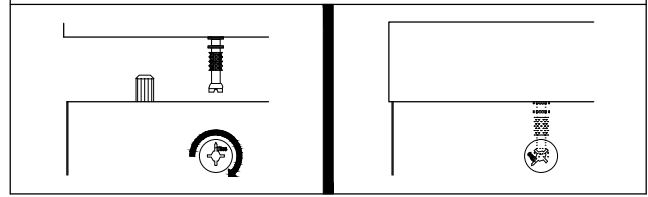


Assembly Instruction

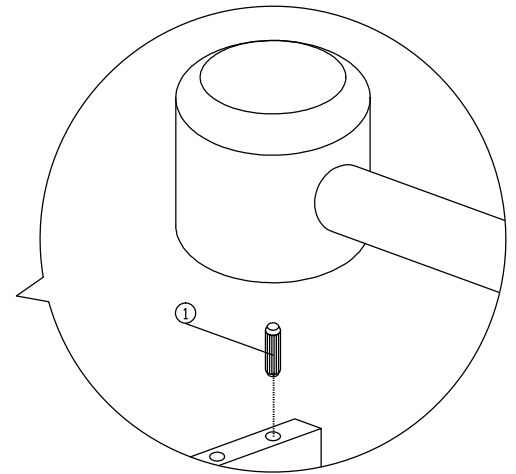
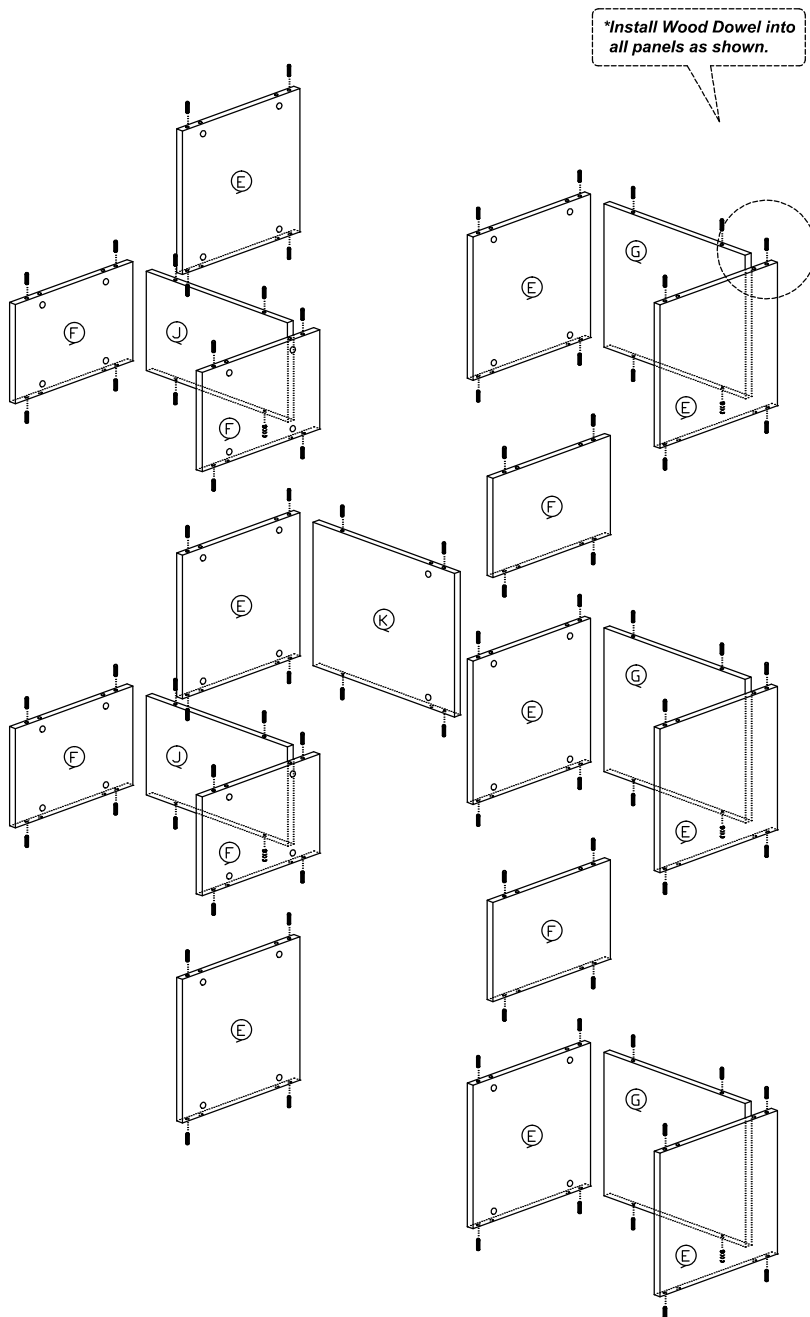
Hardware List

No.	SHAPE	DESCRIPTION	Qty.
1		8x25mm Wood Dowel	84Pcs
2		15MM Titus Mini Fix	62Sets
3		15mm Minifix Cap	62Pcs
4		Nail Leg	6Pcs

Dowel / Cam - Lock Installation

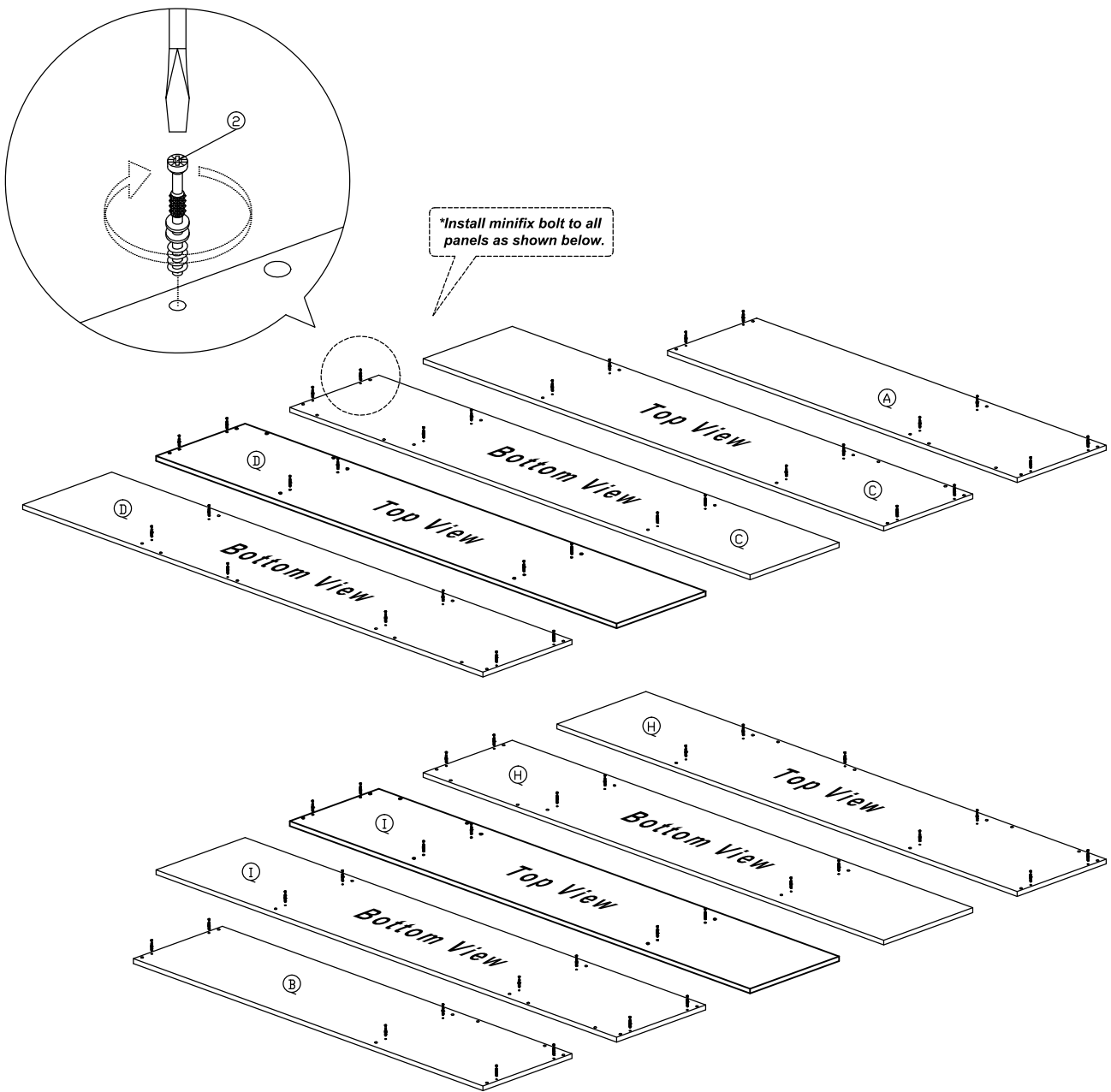


Step 1

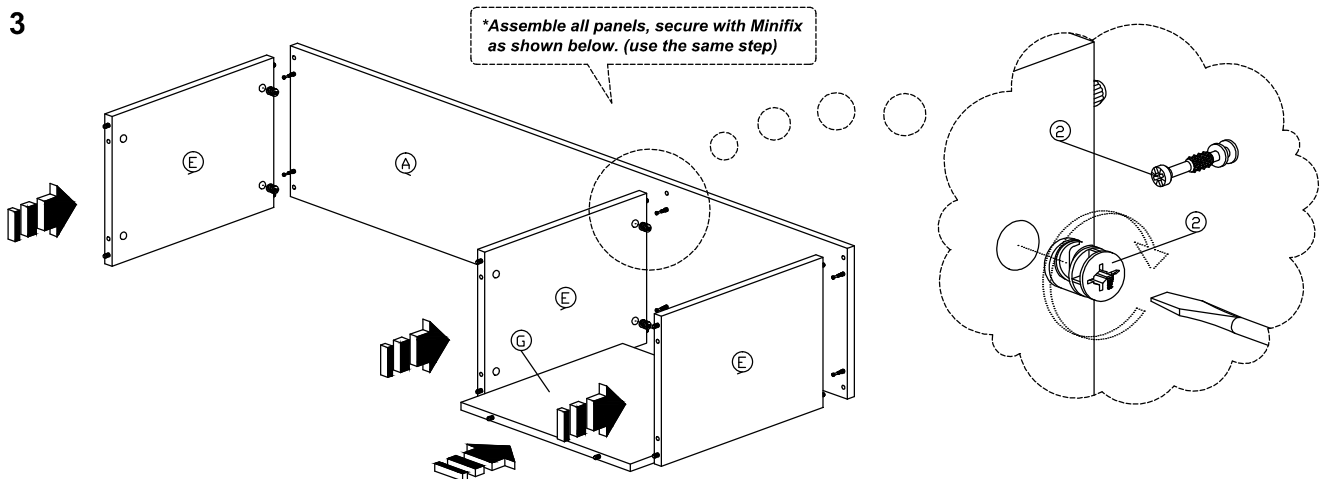


Assembly Instruction

Step 2

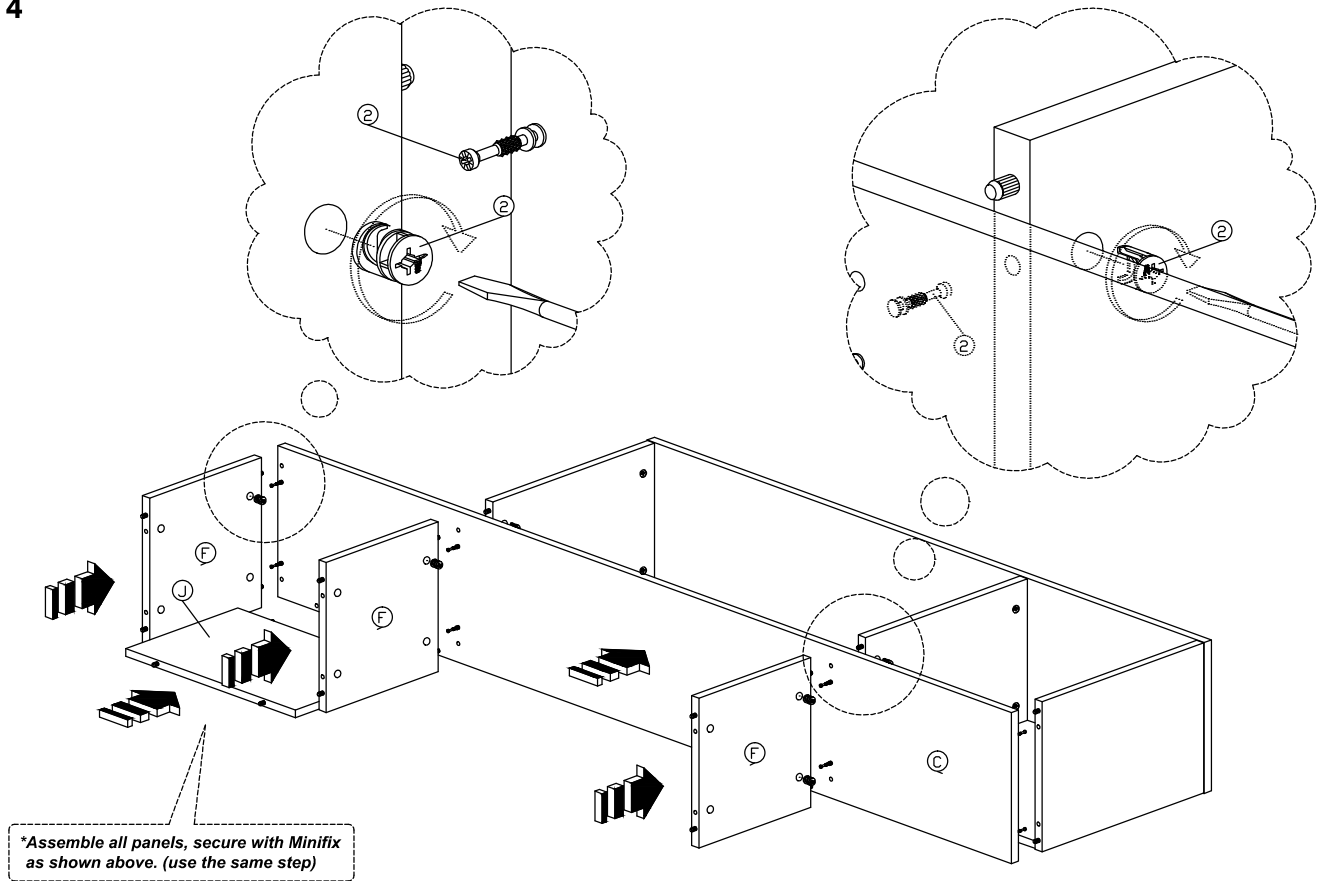


Step 3

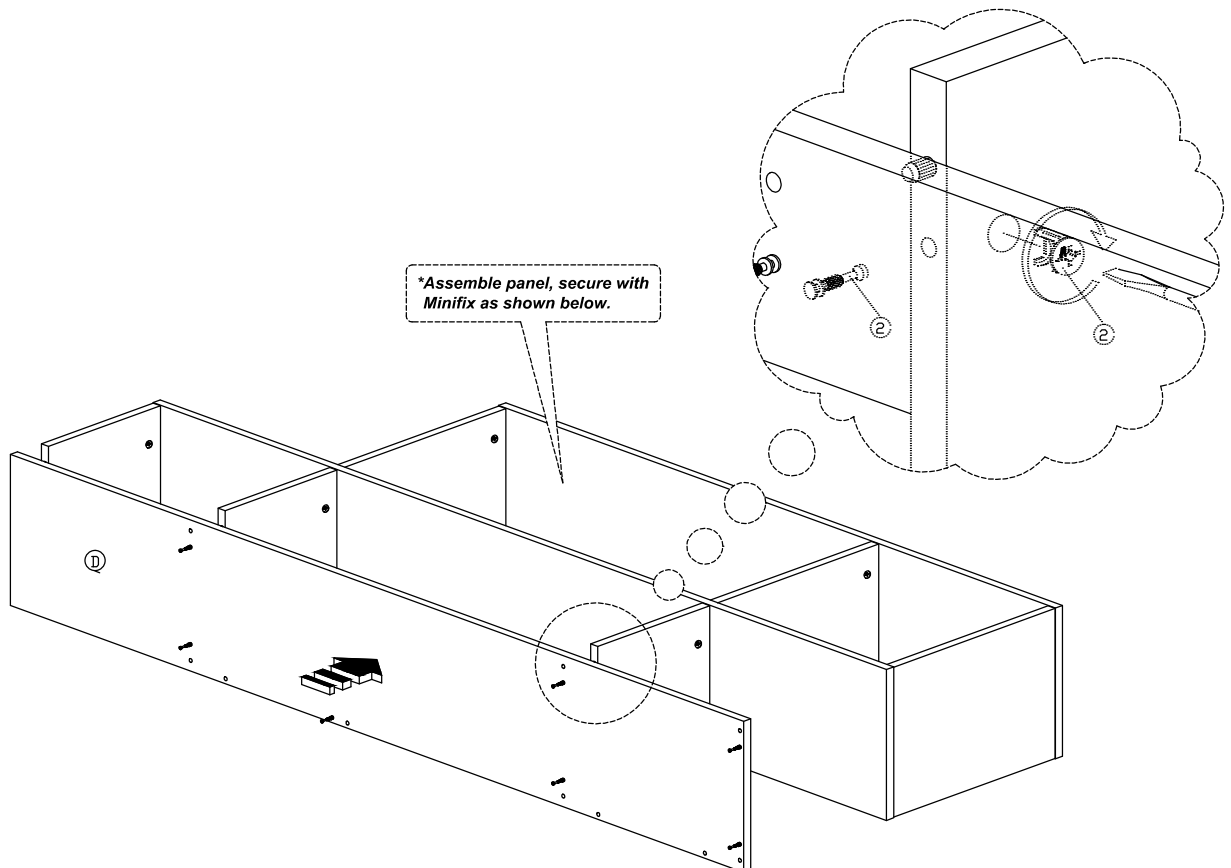


Assembly Instruction

Step 4

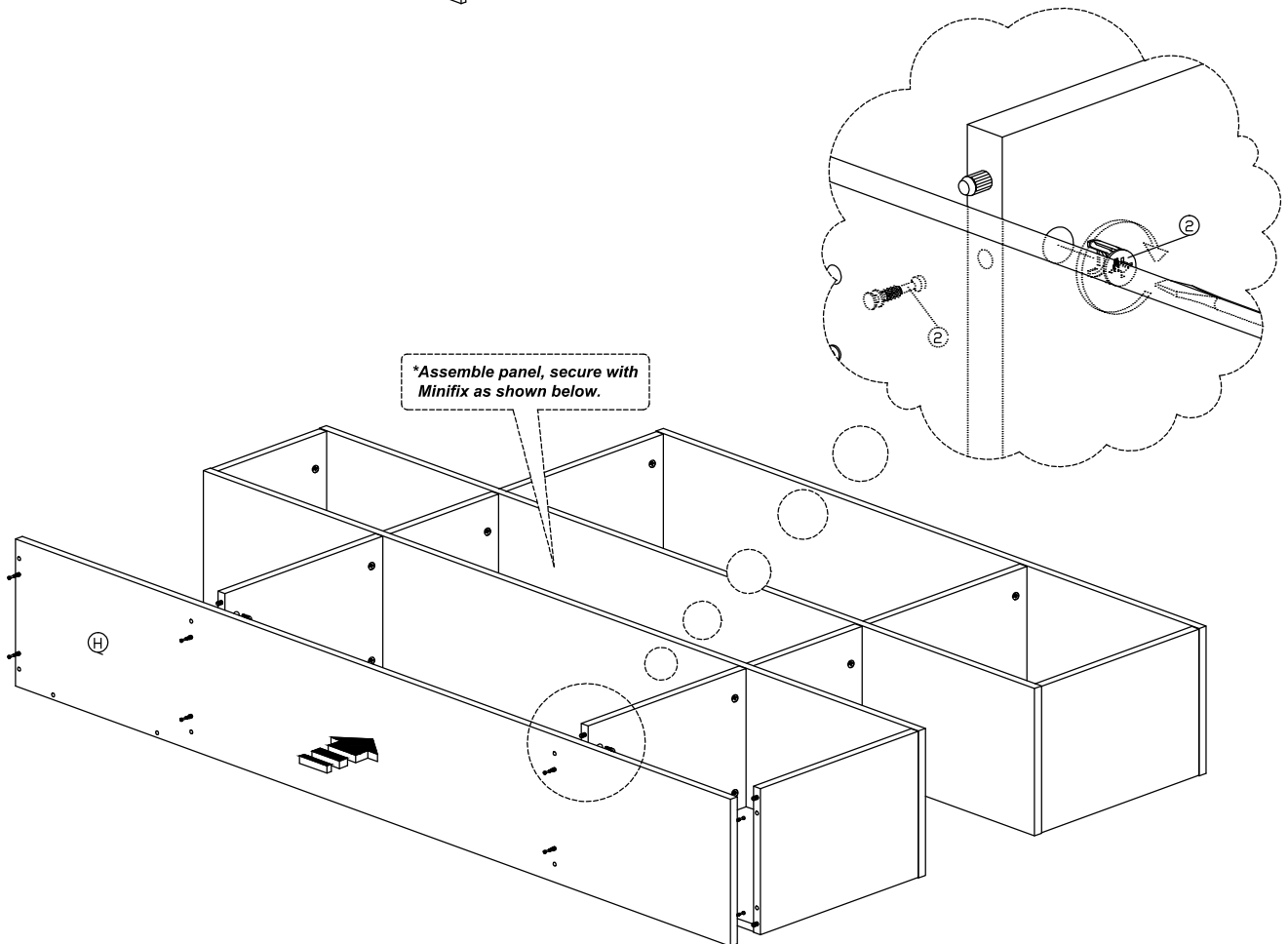
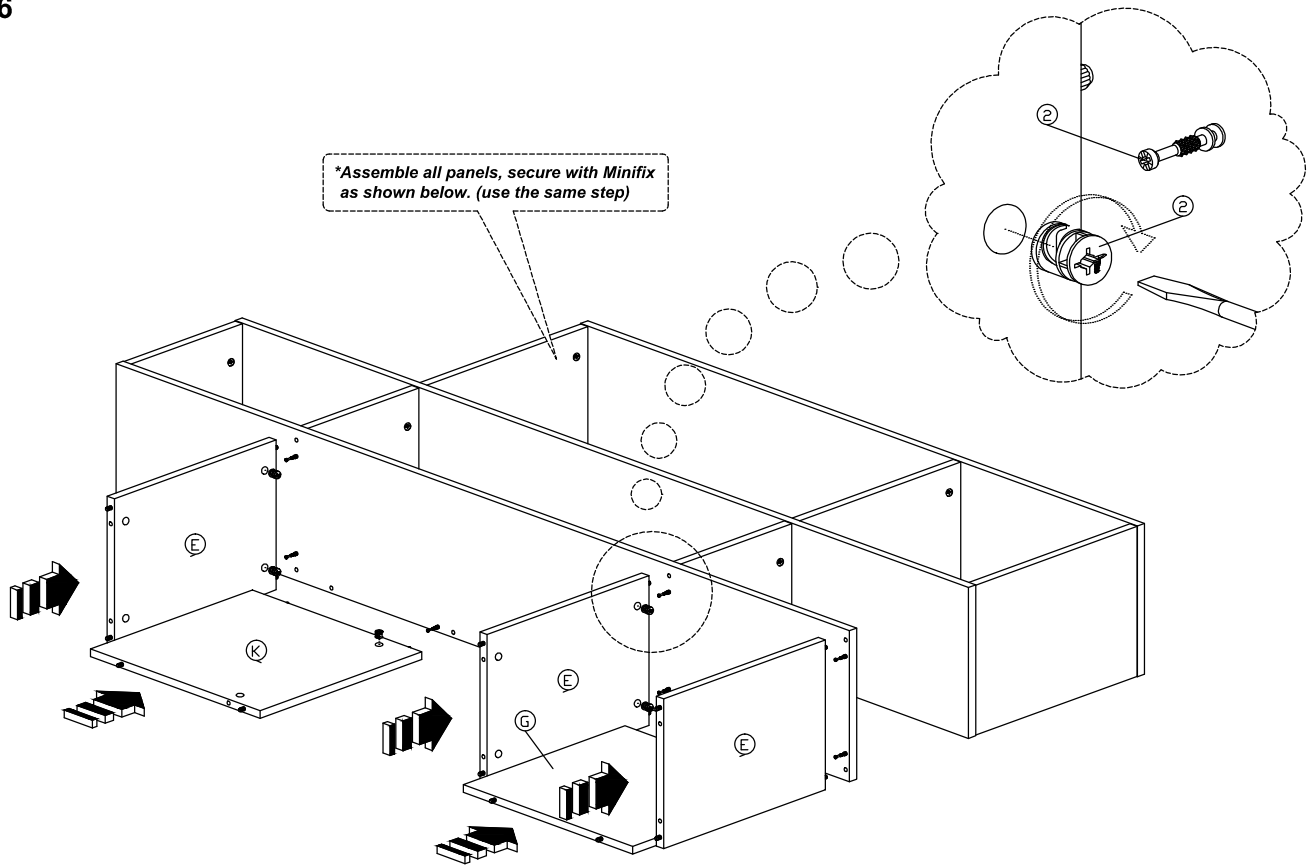


Step 5



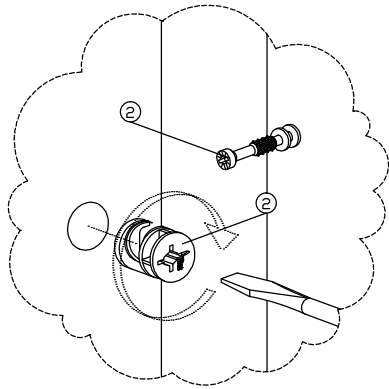
Assembly Instruction

Step 6

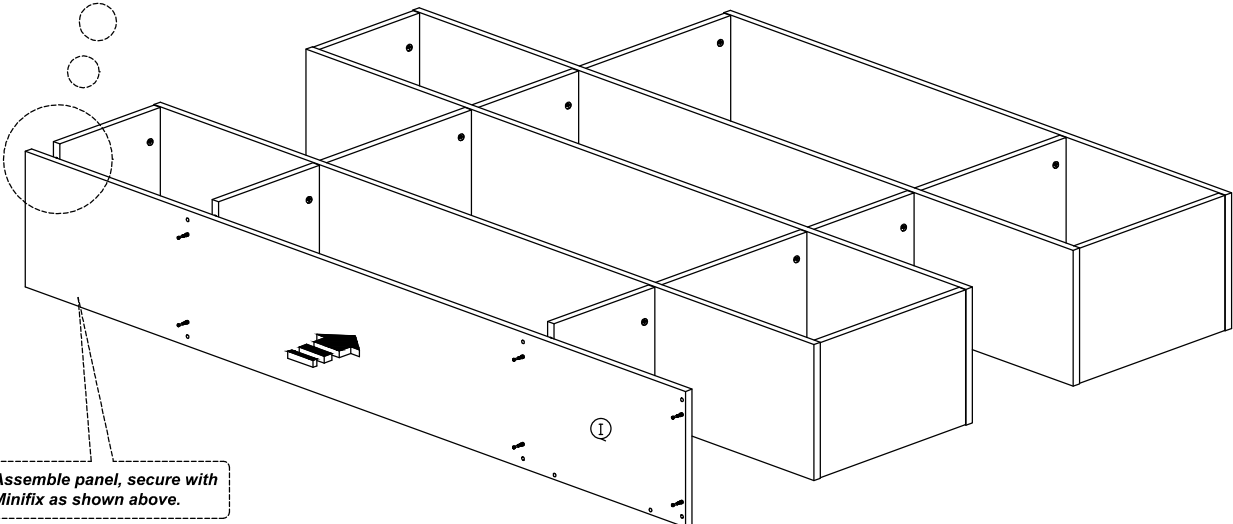
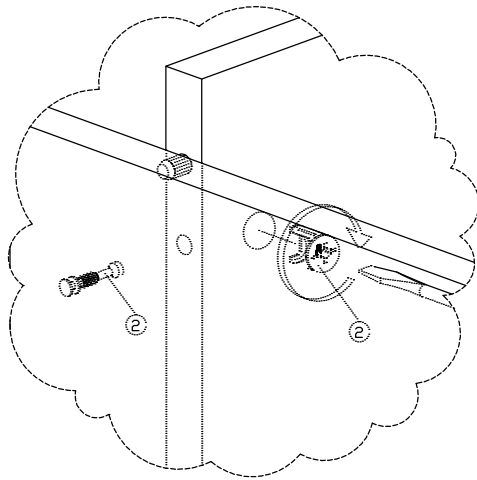
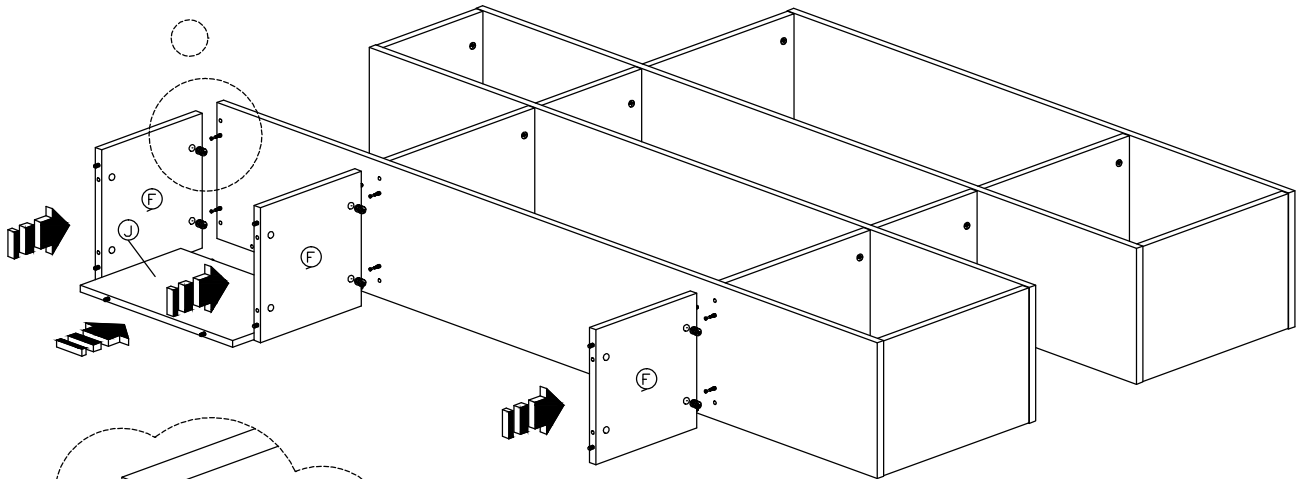


Assembly Instruction

Step 7



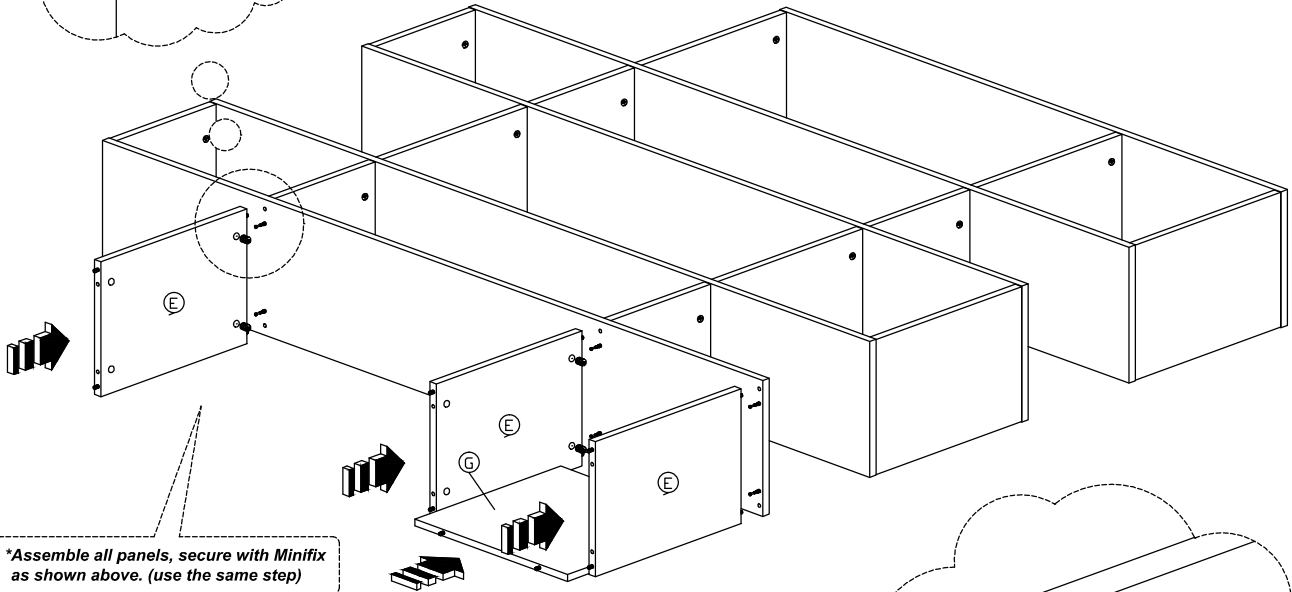
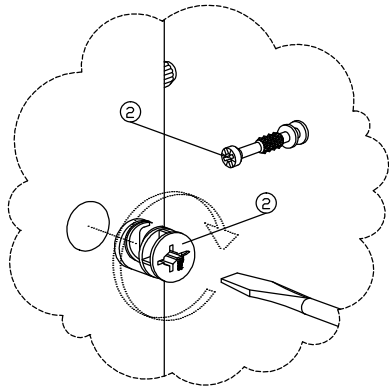
**Assemble all panels, secure with Minifix as shown below. (use the same step)*



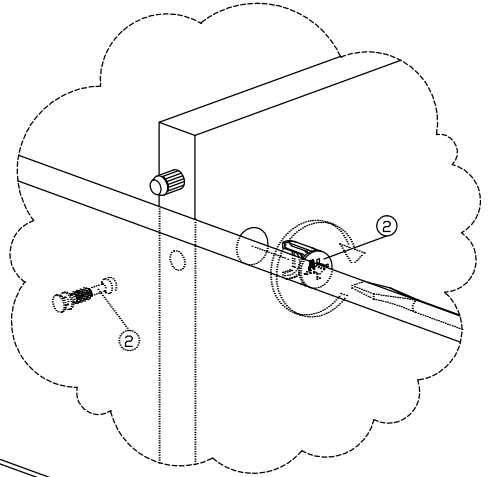
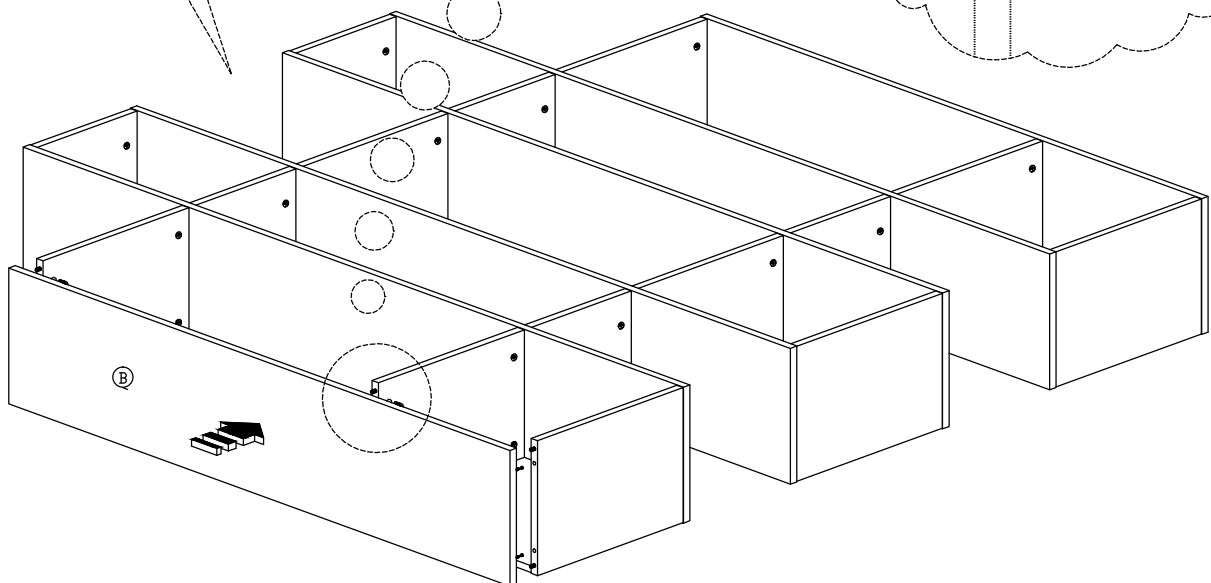
**Assemble panel, secure with Minifix as shown above.*

Assembly Instruction

Step 8

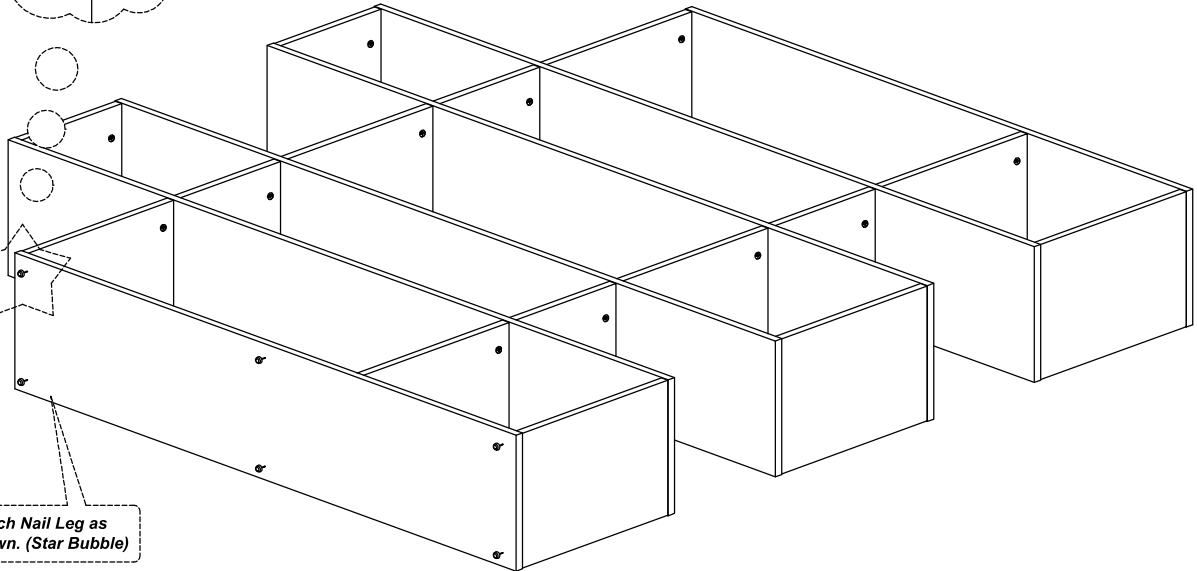
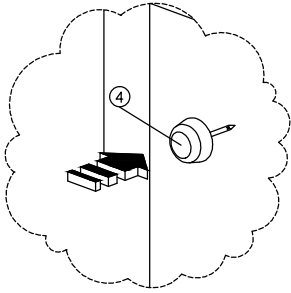


**Place bottom panel, secure with Minifix as shown below.*



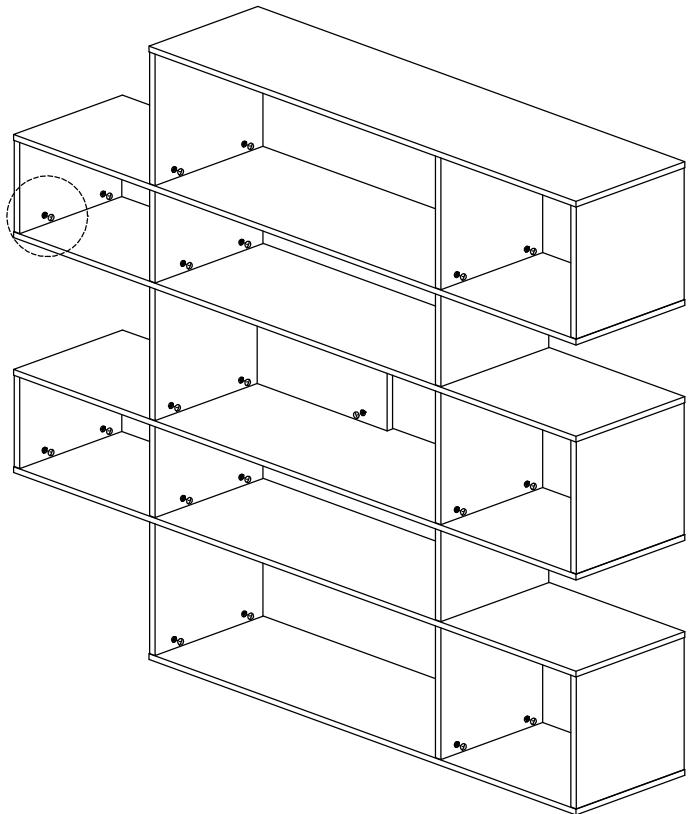
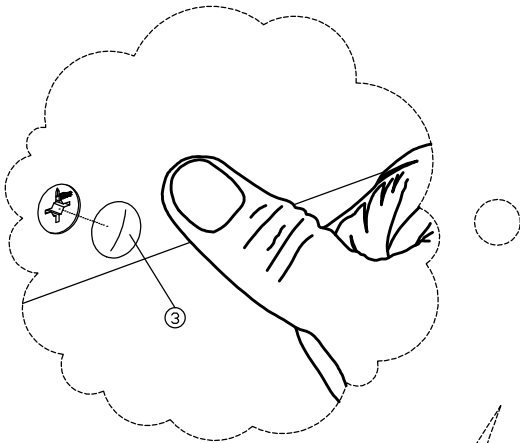
Assembly Instruction

Step 9



**Attach Nail Leg as shown. (Star Bubble)*

Step 10



**Attach all Minifix Cap to all panels as shown.*