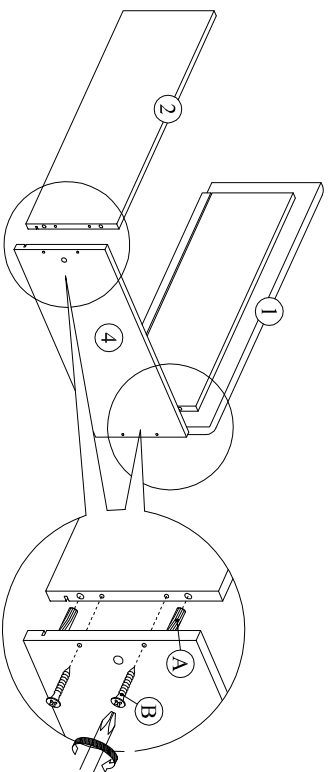


ASSEMBLY INSTRUCTION

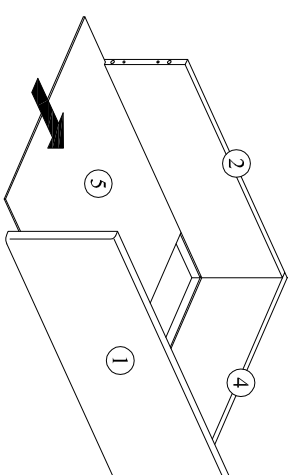
ITEM : DRAWER

NO	PARTLIST	QTY
1	DRAWER FRONT	1PC
2	DRAWER BACK	1PC
3	DRAWER SIDE	1PC
4	DRAWER SIDE	1PC
5	BOTTOM PANEL	1PC
6	RAIL	2PC
7	CASTER	4PC
ITEM	HARDWARE	QTY
A	DOVEL M8 x 30	16PCS
B	SCREW M4 x 32MM	8PCS
C	SCREW M4 x 16MM	16PCS
D	JCBC SCREW M6 x 35MM	2PCS

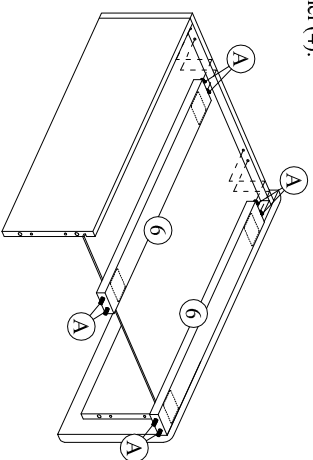
STEP 1
First, inserting 2 Wood Dowels (A) into Drawer Side panel (4) per side as per drawing shown. Next attach Drawer Side panel (4) to Drawer Back panel (2) and Drawer Front panel (1) by using 2 Wood Screws (B) per side.



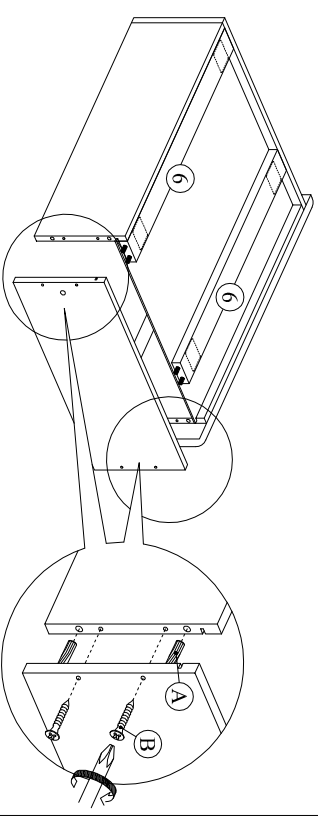
STEP 2
Inserting Bottom Panel (5) as per drawing shown.



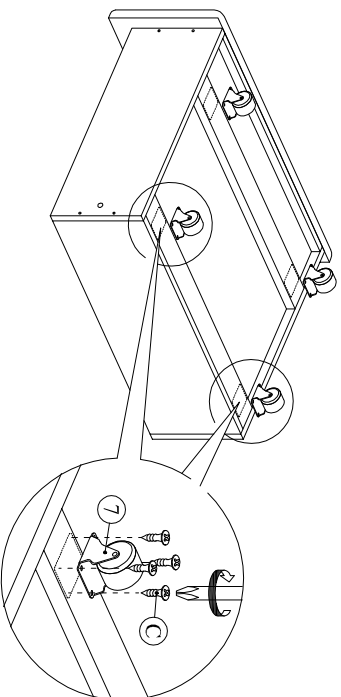
STEP 3
Inserting 2 Wood Dowels (A) to each side of the Rails (6), then insert the Rails (6) into Drawer Side panel (4).



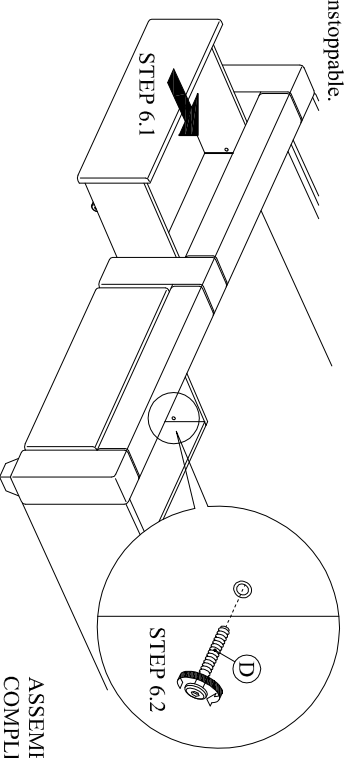
STEP 4
Inserting 2 Wood Dowels (A) into Drawer Side panel (3) per side as per drawing shown. Next attach Drawer Side panel (3) to Drawer Back panel (2) and Drawer Front panel (1) by using 2 Wood Screws (B) per side.



STEP 5
Securing each Casters (7) to the pre-marked outline on Rail (6) by using 4 Wood Screws (C)



STEP 6
The assembly of drawer is now complete. Repeating each step to assembly the remaining drawers. Push in the assembly drawer into footboard then insert Allen Bolt(s)(D) each of the Drawer Side panel (3) & (4) as this bolt will act as a stopper to prevent drawer moving out unstopable.



IMPORTANT NOTICE:
THE ABOVE PART LIST, HARDWARE AND ASSEMBLY STEP IS FOR 1 PIECE DRAWER ONLY. REPEAT THE SAME STEP FOR THE REMAINING DRAWERS.

ASSEMBLY COMPLETE