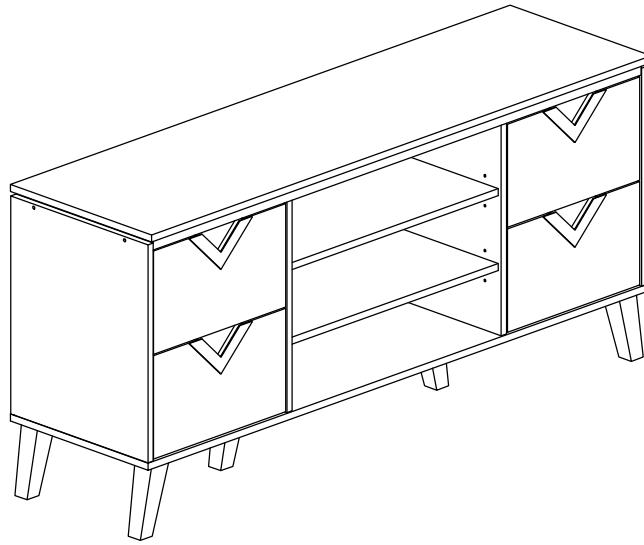
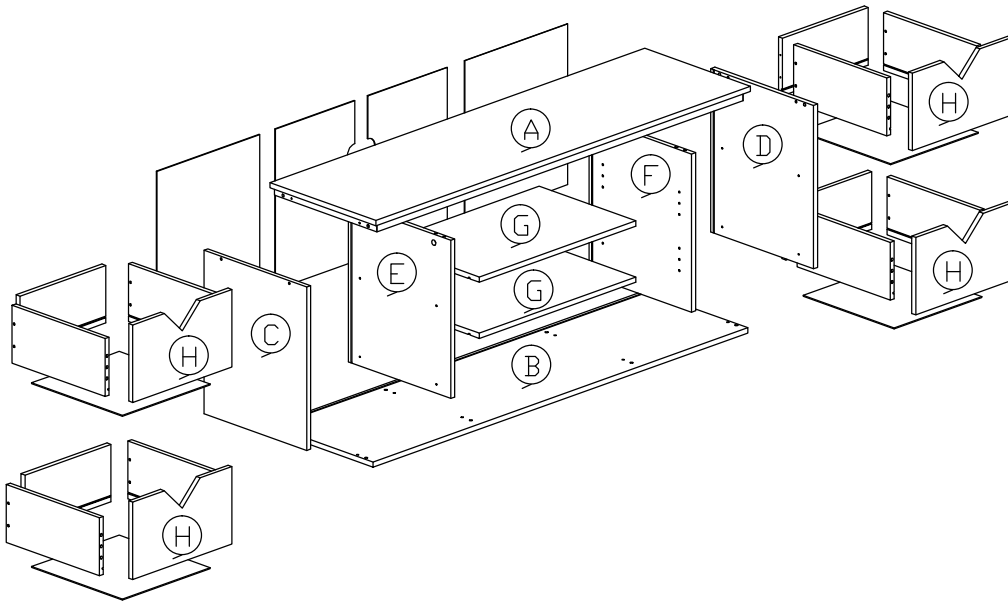


# Assembly Instruction


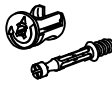






Model : WI7561




## Part List



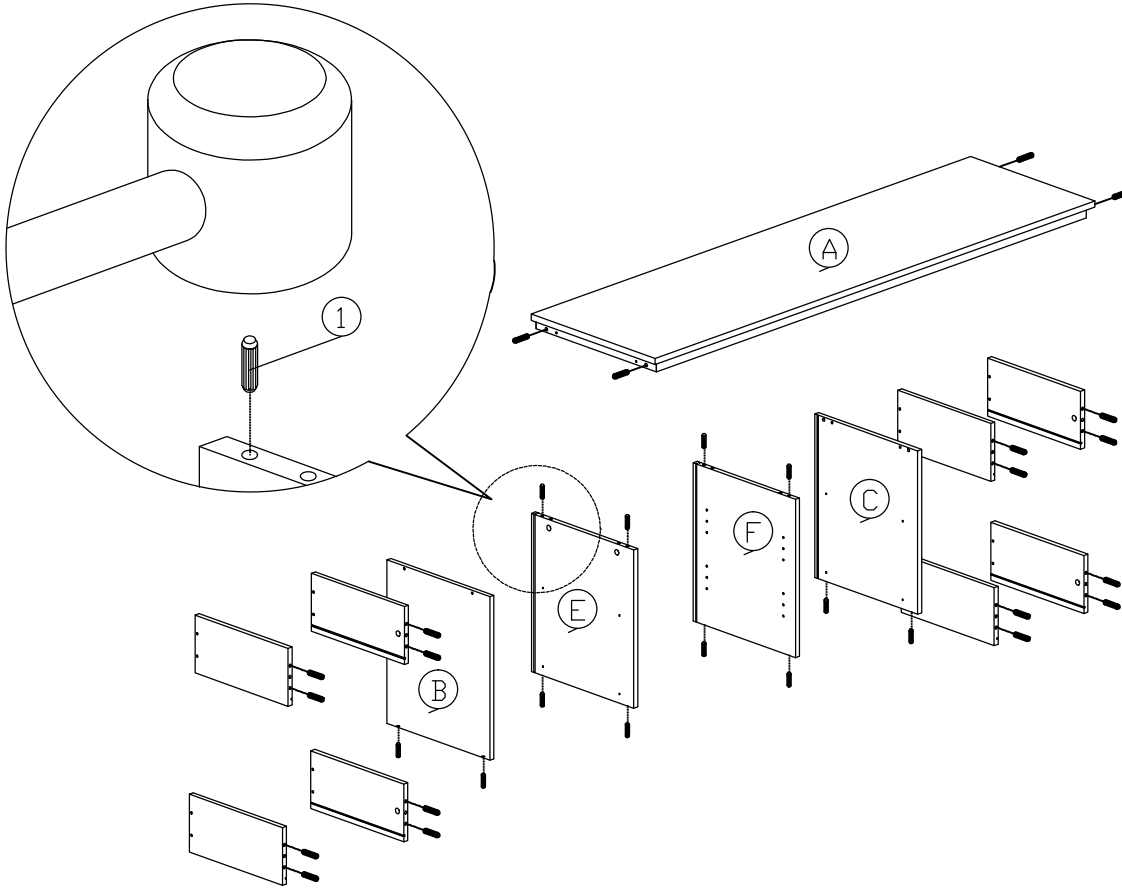
### Hardware List

No.	SHAPE	DESCRIPTION	Qty.
1		<b>8x25mm Wood Dowel</b>	32Pcs
2		<b>15MM Myfix Minifix</b>	12Sets
3		<b>M3x16mm Screw</b>	8Pcs
4		<b>M3.5x15mm Screw</b>	52Pcs
5		<b>M5x8mm Screw (Euro Screw)</b>	16Pcs
6		<b>M4x38mm Screw</b>	16Pcs
7		<b>M5x38mm Screw</b>	12Pcs
8		<b>15mm Minifix Cap</b>	8Pcs

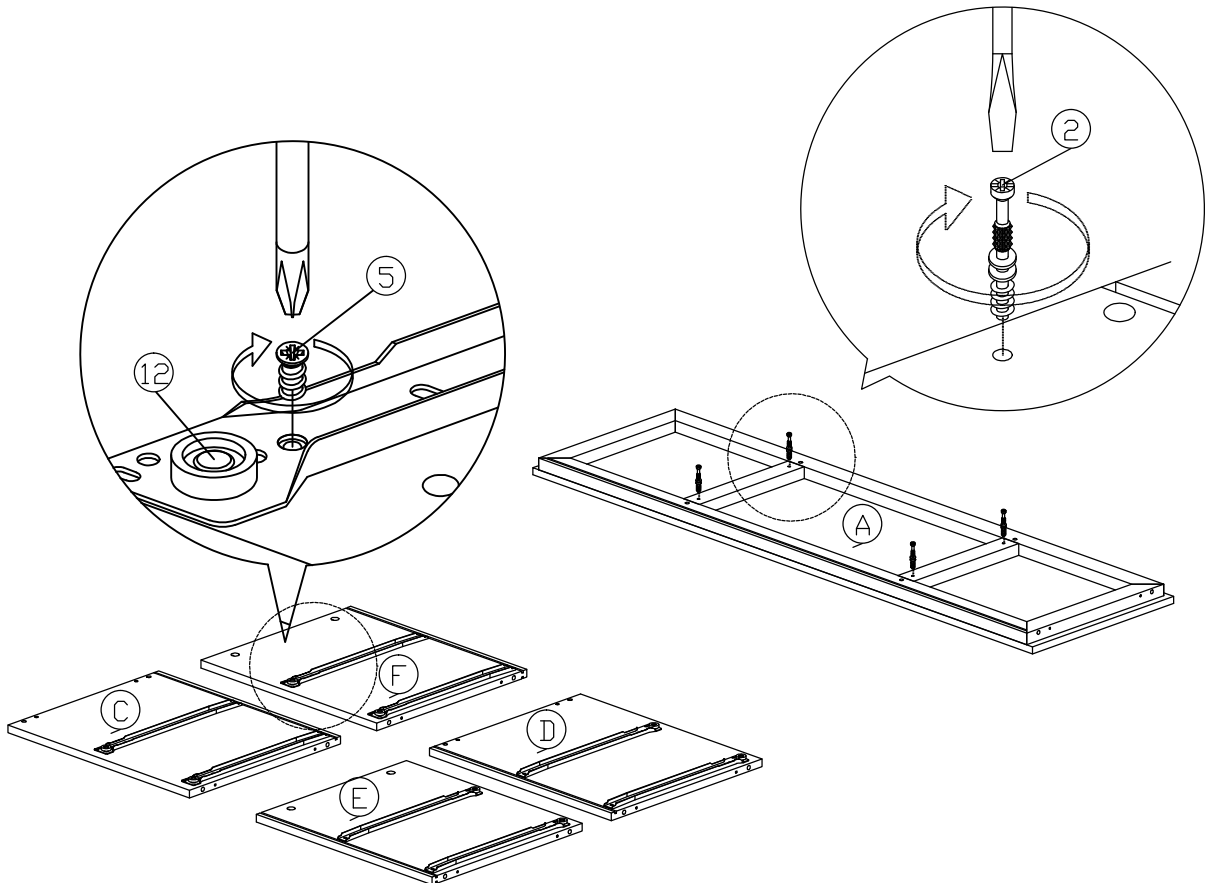
9		<b>Screw Cap</b>	4Pcs
10		<b>Shelf Support</b>	8Pcs
11		<b>Z Bracket (Big)</b>	4Pcs
12		<b>Metal Drawer Slide 14" (350mm)</b>	4 Sets
13		<b>OS-V Handle</b>	4 Pcs
14		<b>OS 150mm Long Tapper</b>	6 Pcs

# Assembly Instruction

## Step 1

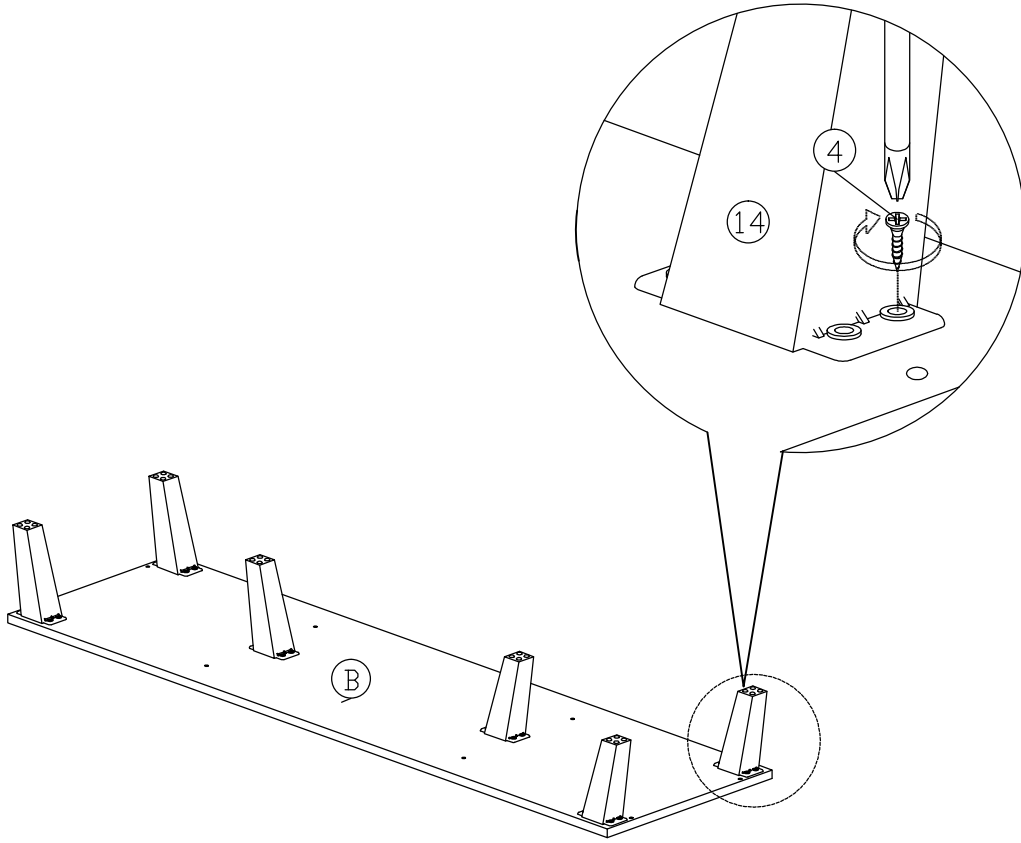


## Step 2

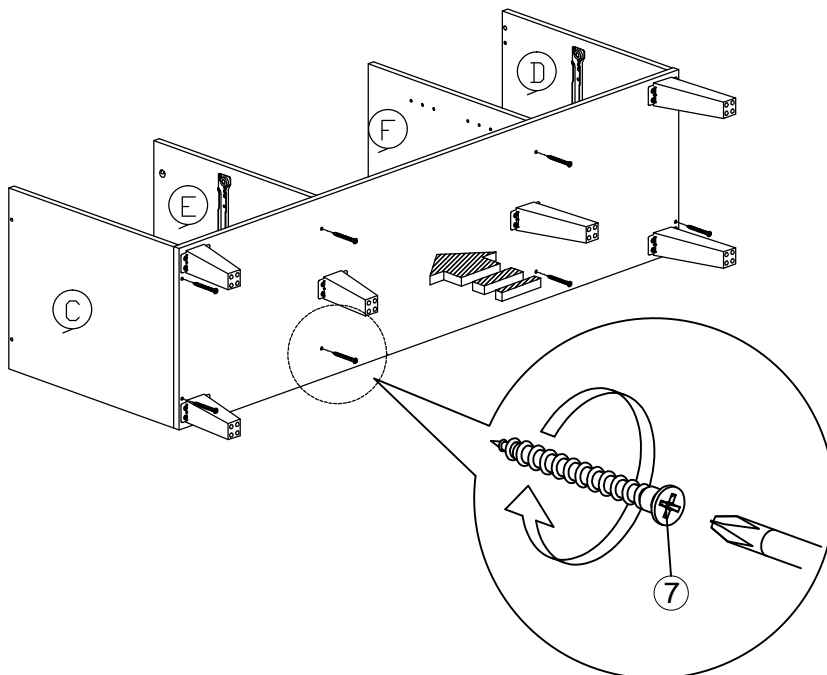


# Assembly Instruction

## Step 3

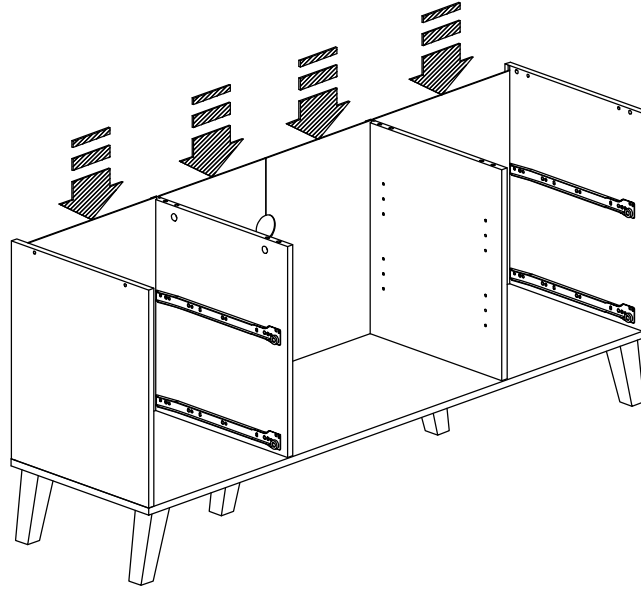


## Step 4

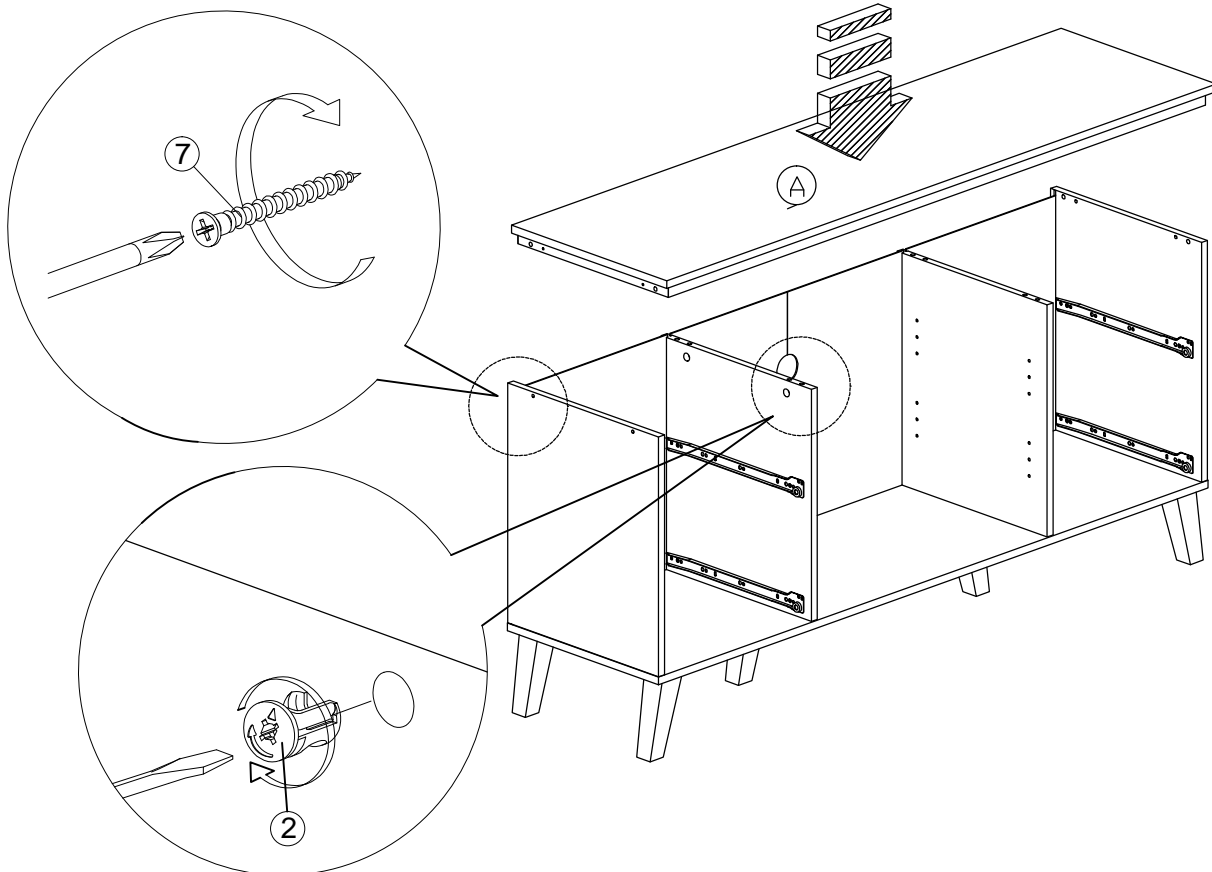


# Assembly Instruction

## Step 5

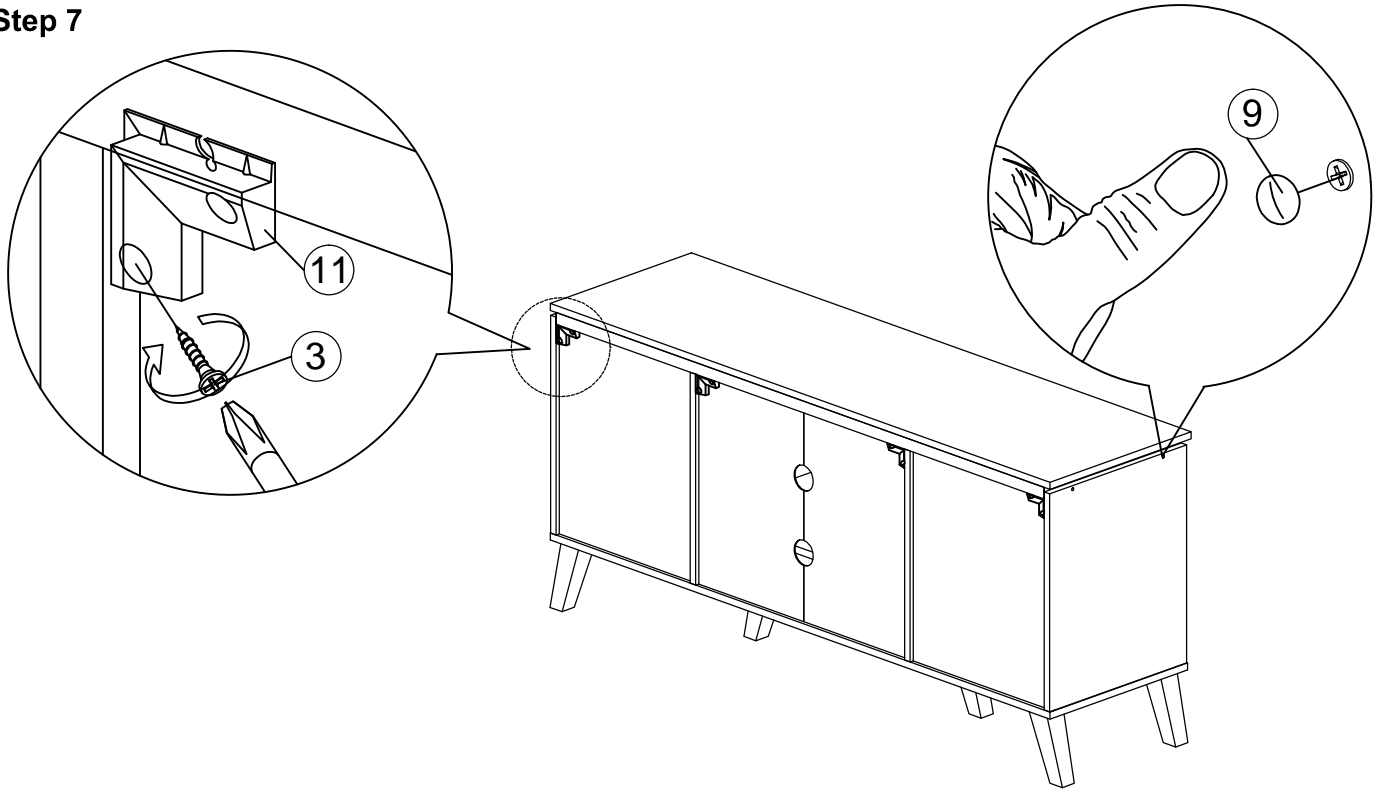


## Step 6

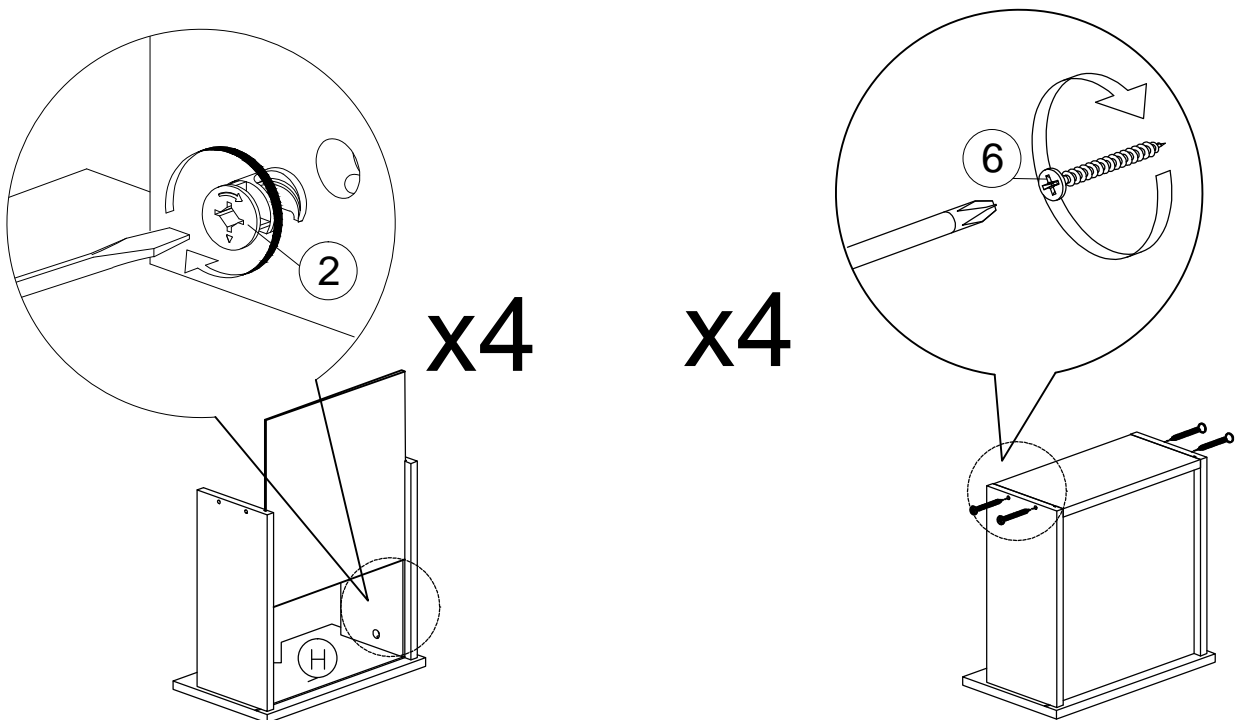


# Assembly Instruction

## Step 7

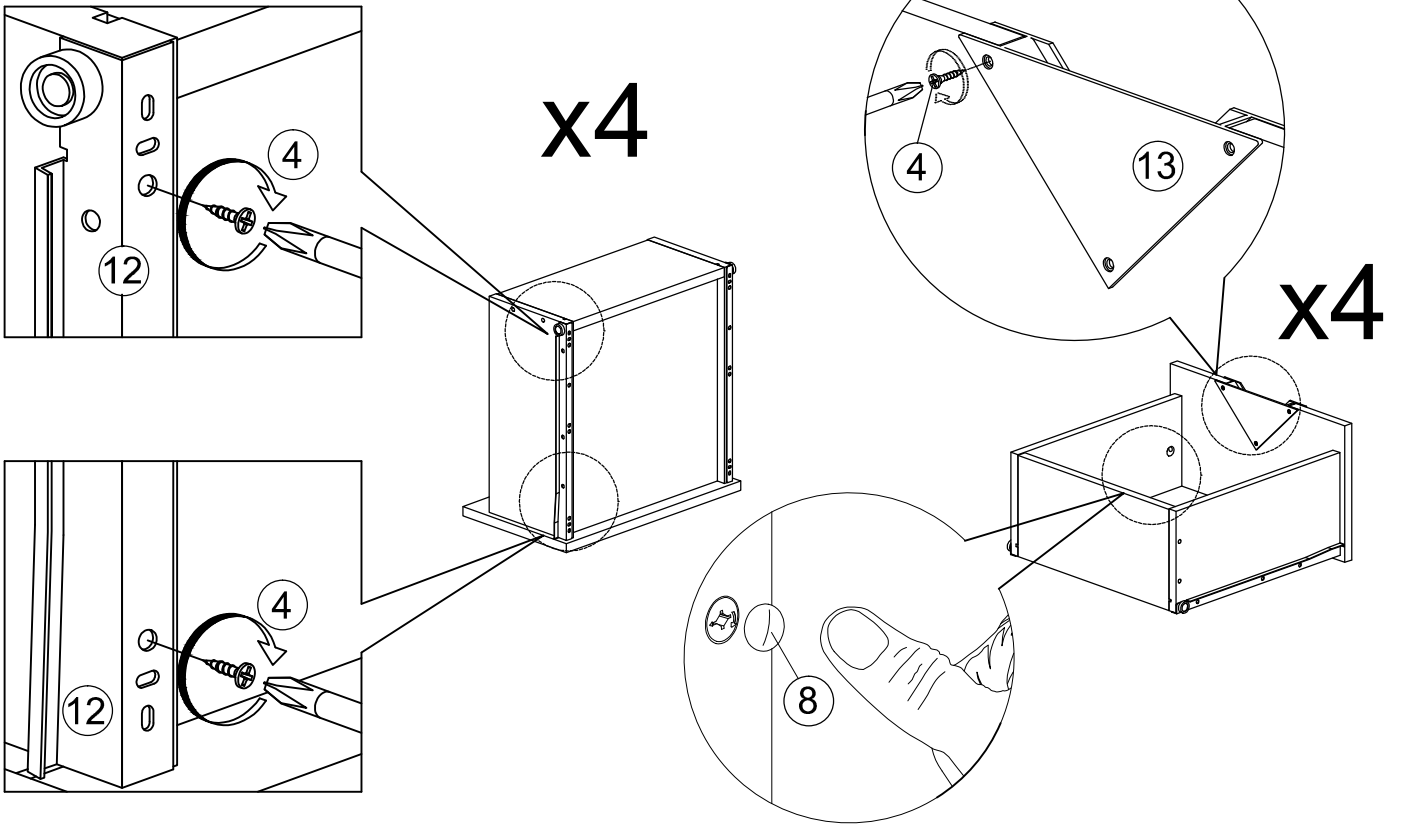


## Step 8



# Assembly Instruction

## Step 9



## Step 10

