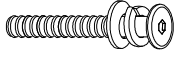
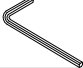


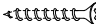
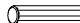


ASSEMBLY INSTRUCTIONS

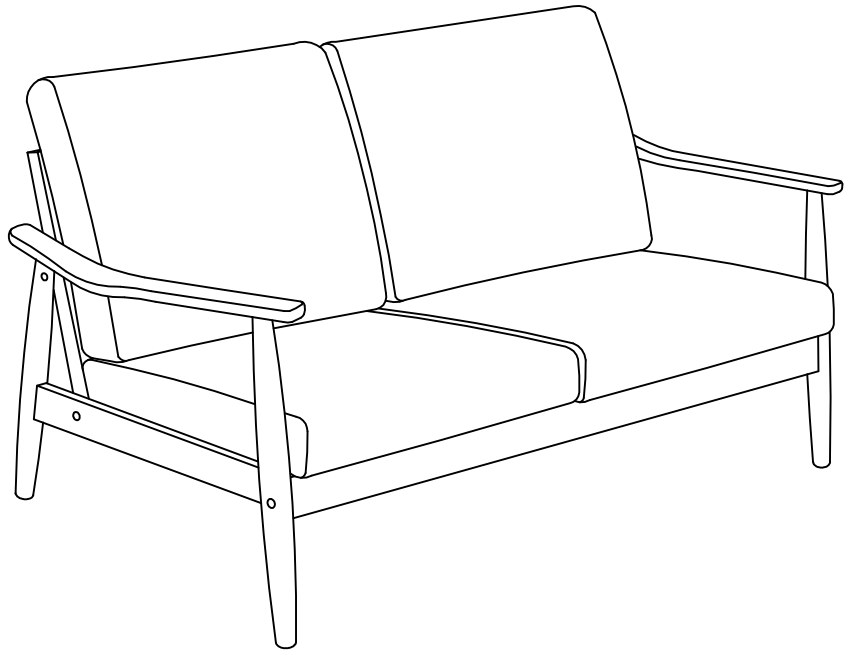
MODEL : VENZA SOFA - 2 SEATER

IMPORTANT NOTE :

- * PLACE ALL WOODEN PARTS ON A CLEAN AND SMOOTH SURFACE SUCH AS A RUG OR CARPET TO AVOID THE PARTS FROM BEING SCRATCHED.
- * BEFORE YOU BEGIN, KINDLY FOLLOW THE ASSEMBLY INSTRUCTIONS STEP BY STEP.

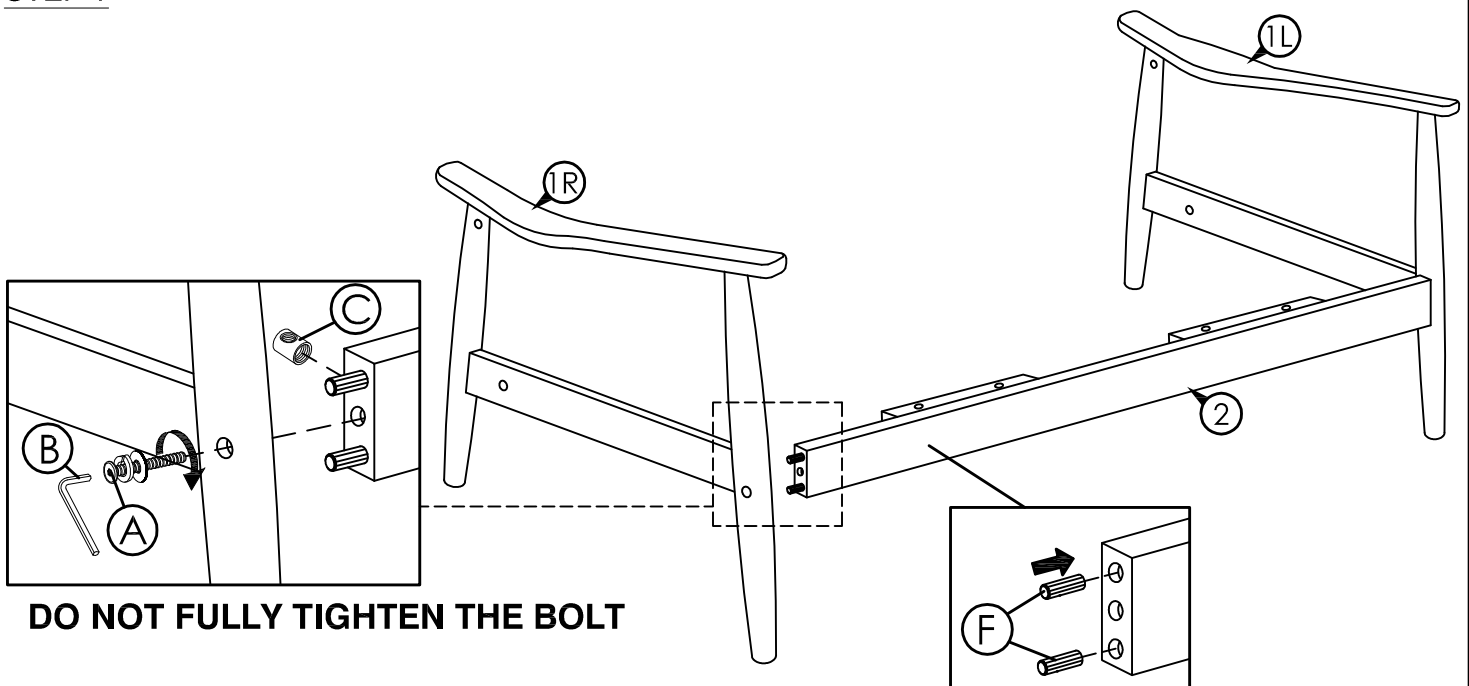
| HARDWARE LIST | | |
|---------------|--|------|
| A | JCBC M6 x 50mm + S/W M6 + F/W M6 x 13mm  | 6PCS |
| B | ALLEN KEY M4  | 1PC |
| C | BARREL NUT M6 x 13mm  | 4PCS |
| D | WOOD BUTTON Ø 14.5  | 6PCS |
| E | FH SCREW #8 X 32mm  | 8PCS |
| F | WOOD DOWEL M10 x 40mm  | 4PCS |

| PART LIST | | |
|-----------|----------------|------|
| 1 | SOFA LEG (L/R) | 2PCS |
| 2 | FRONT RAIL | 1PC |
| 3 | BACK FRAME | 1PC |
| 4 | SEAT FRAME | 1PC |
| 5 | SOFA BACK REST | 2PCS |
| 6 | SOFA SEAT REST | 2PCS |



COMPLETED SOFA ASSEMBLY.

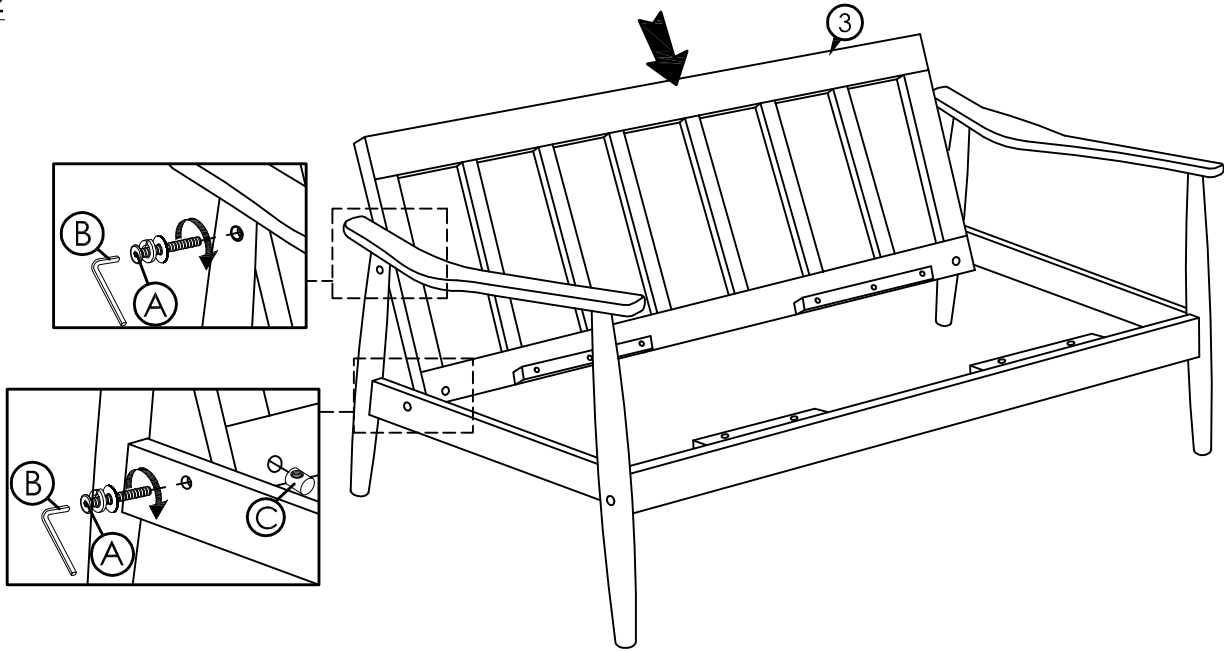
STEP 1



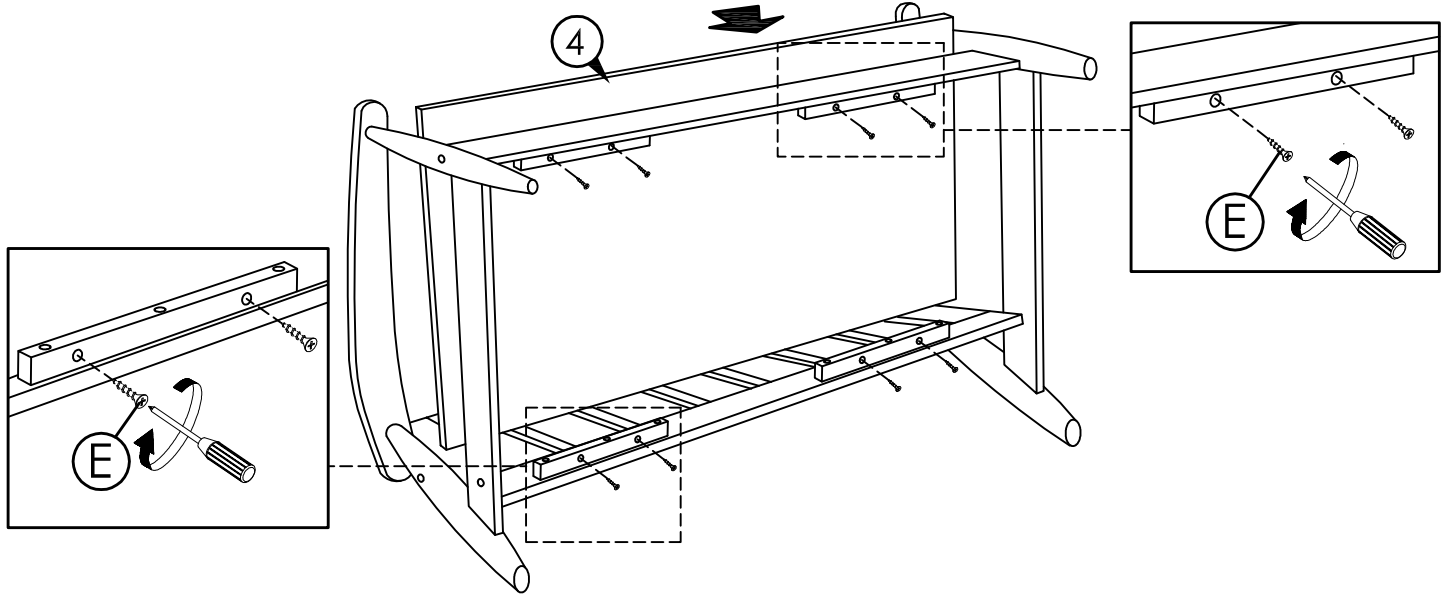
DO NOT FULLY TIGHTEN THE BOLT

ASSEMBLY INSTRUCTIONS

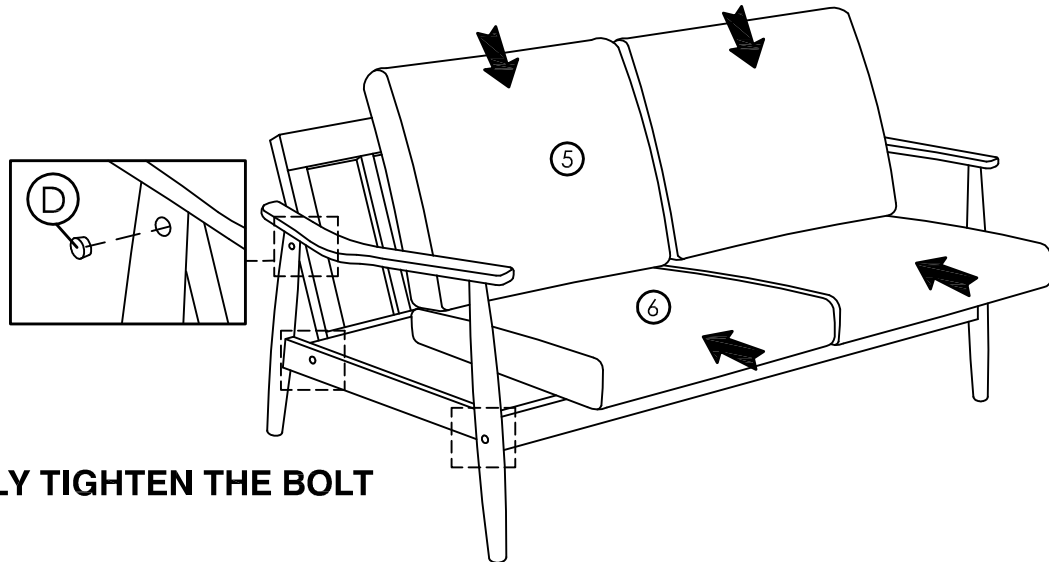
STEP 2



STEP 3



STEP 4



FULLY TIGHTEN THE BOLT