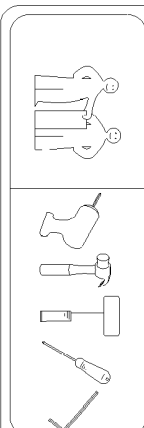
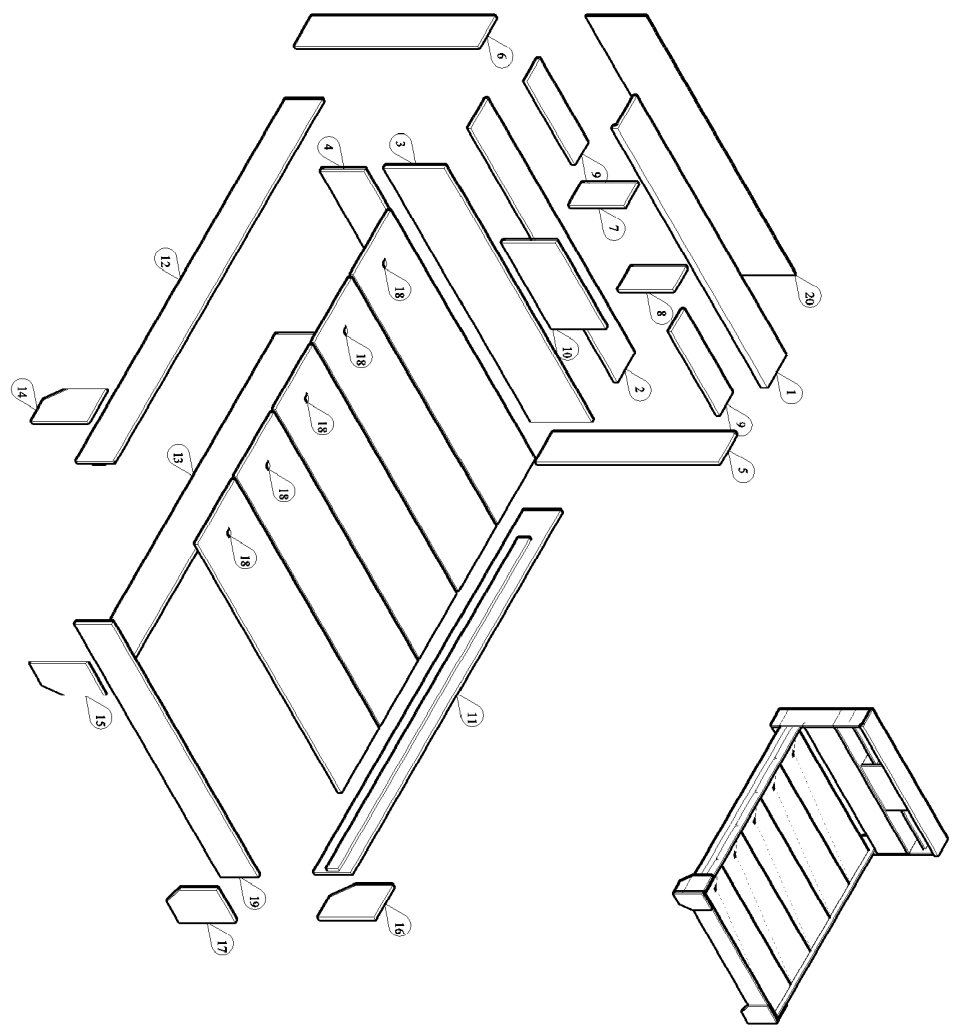


**MODEL : VD QB 001291-US**

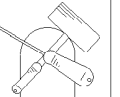
PANEL POSITION



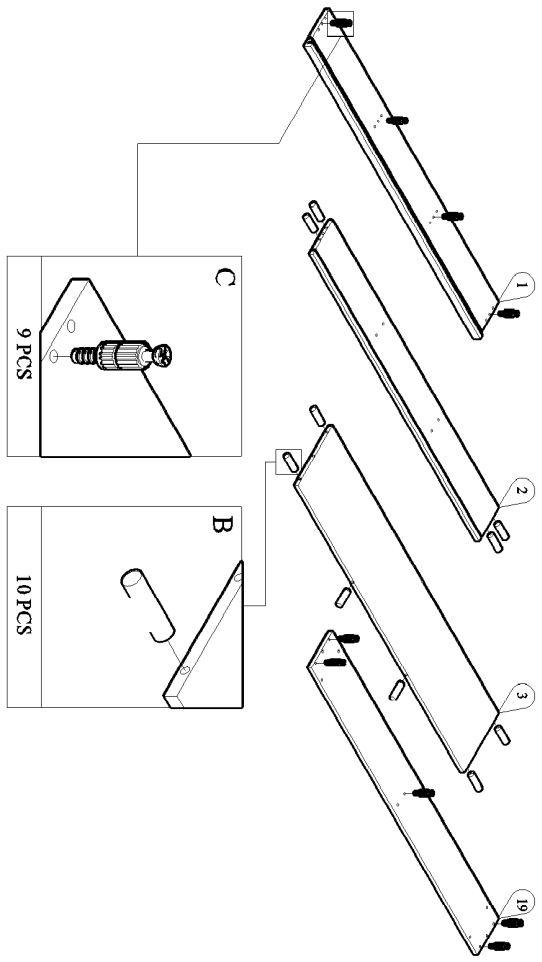
CHEMICAL	HANDLE WITH CARE	KEEP DRY	HARD SURFACE

	ACCESSORIES	QUANTITY
A	SCREW M7x50MM	14 PCS
B	WOOD DOWEL M8x30MM	23 PCS
C	MINIFIX M5x24MM	11 PCS
D	MINIFIX CASING	11 PCS
E	IRON SHELF SUPPORT	8 PCS
F	WHITE LEG PIN	17 PCS
G	"L" BRACKET SCREW M3.5x16MM	2 PCS 8 PCS
H	POWER PIN	20 PCS
I	ALUMINIUM "N" SHAPE RAIL	1 PC
J	SLIDING ROLLER SCREW M3x12MM	2 SETS 16 PCS
K	SCREW M6x25MM	8 PCS
L	SCREW M4x38MM	10 PCS
M	SCREW M4x28MM	6 PCS
N	ALLEN KEY	1 PC

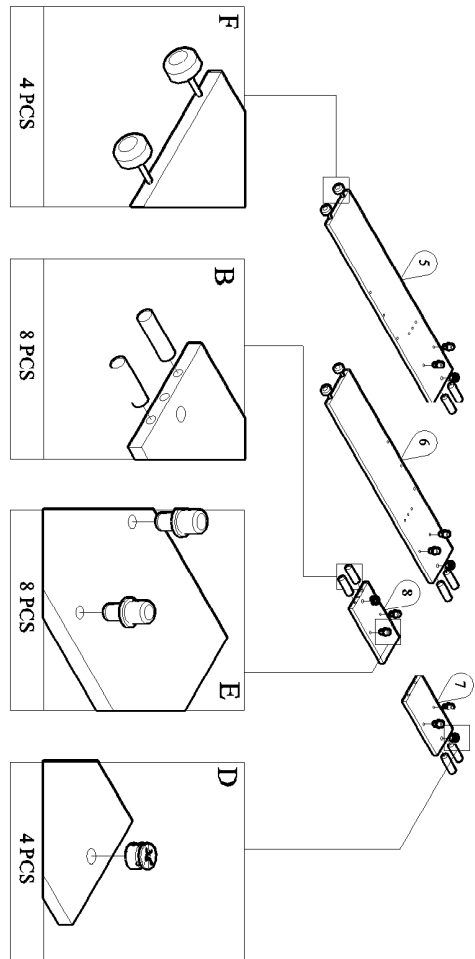
START ASSEMBLY



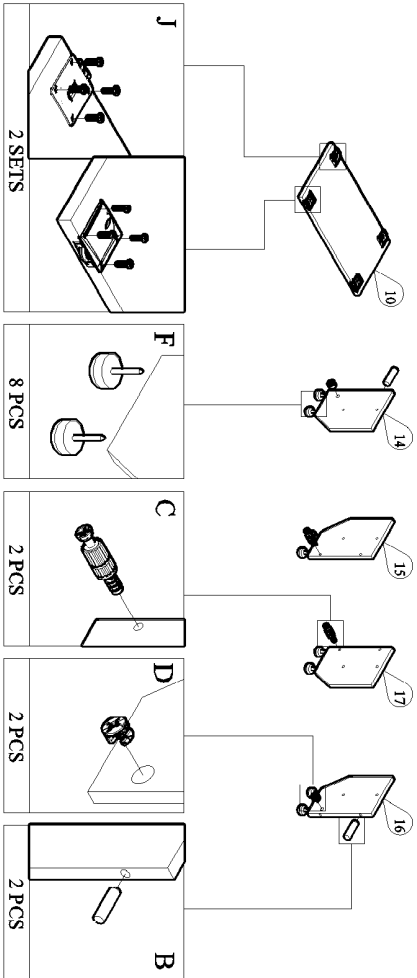
STEP 1



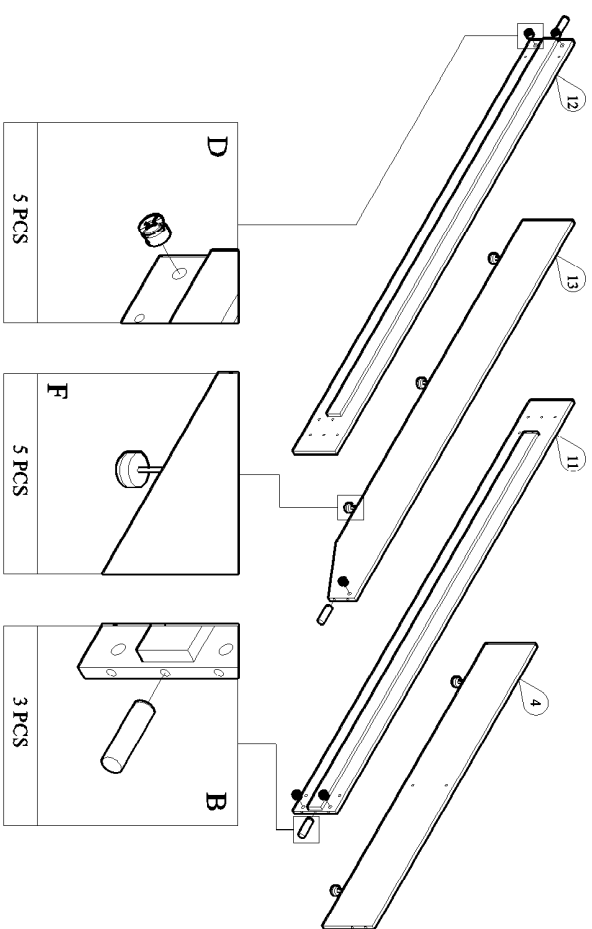
STEP 2



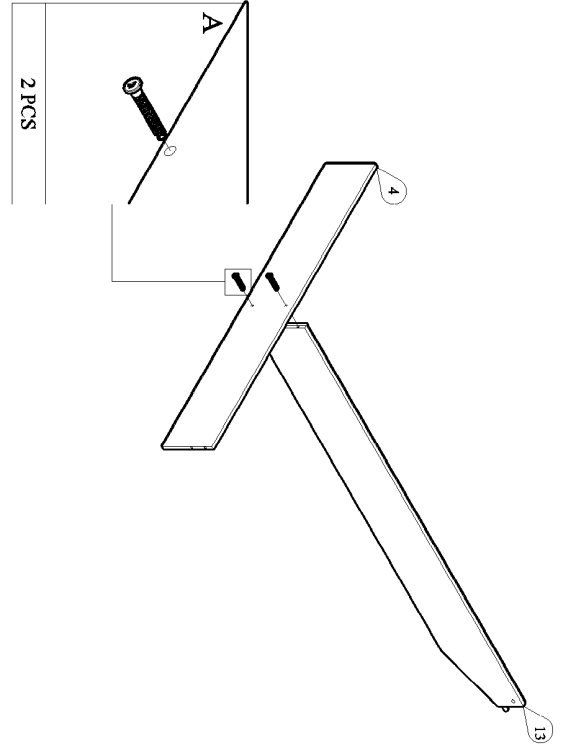
STEP 3



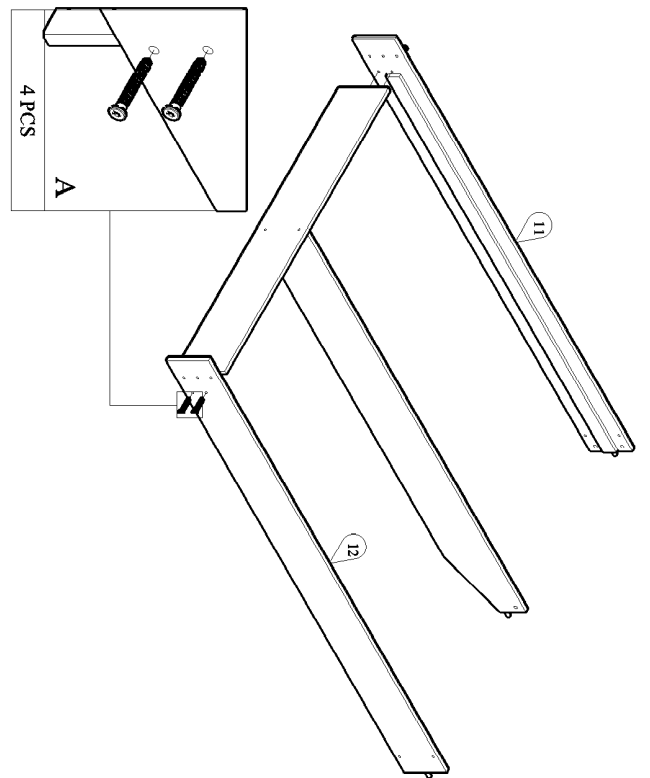
STEP 4



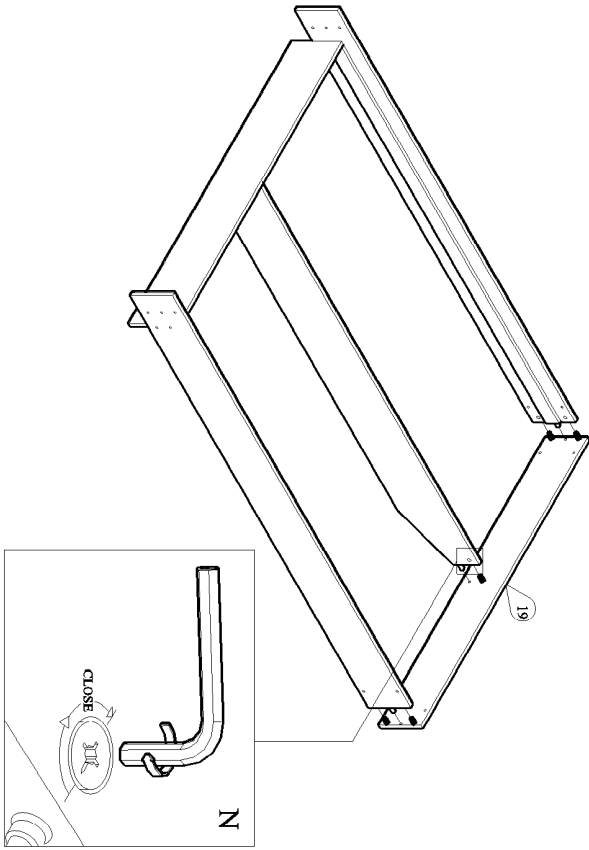
STEP 9



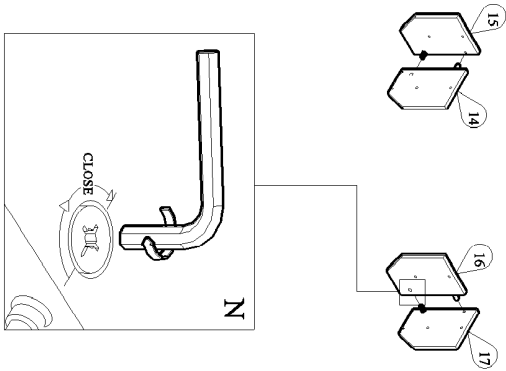
STEP 10



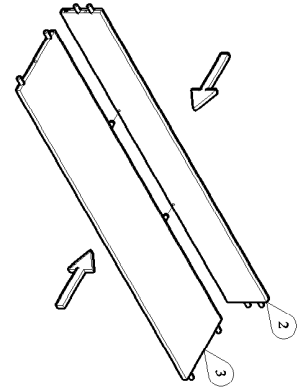
STEP 11



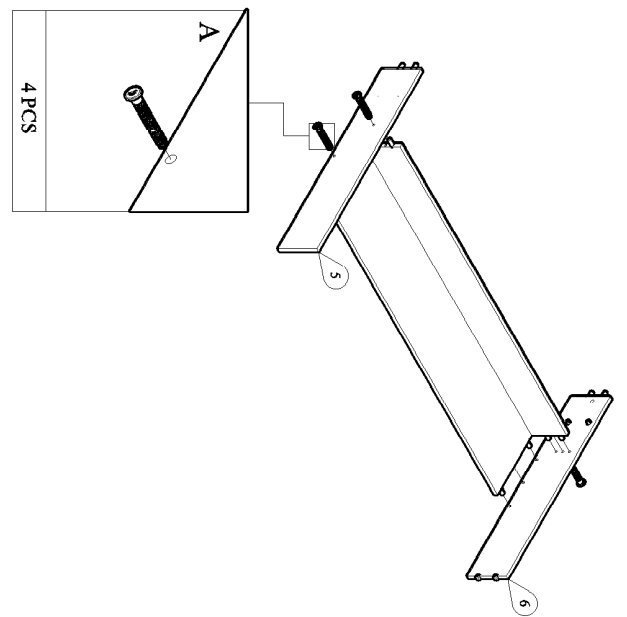
STEP 12



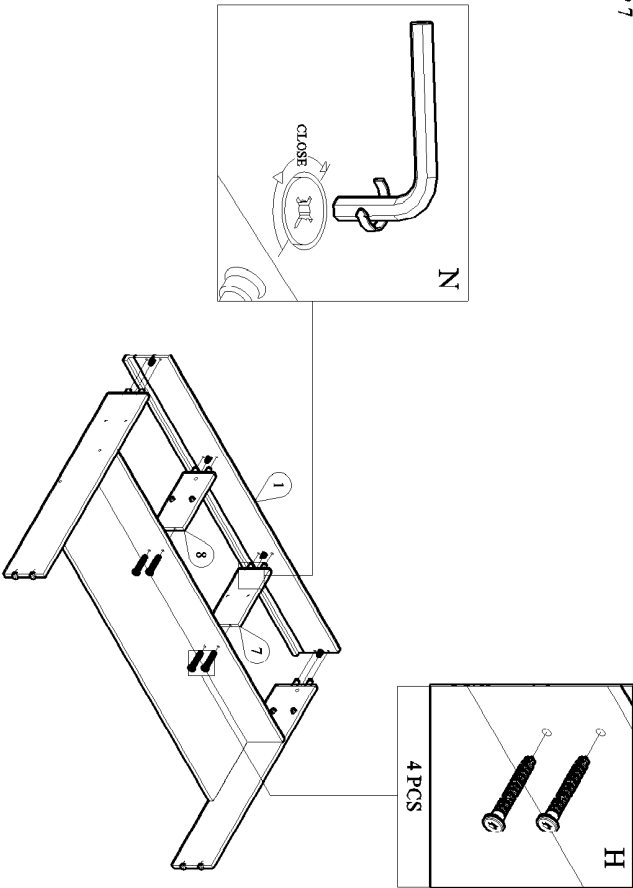
STEP 5



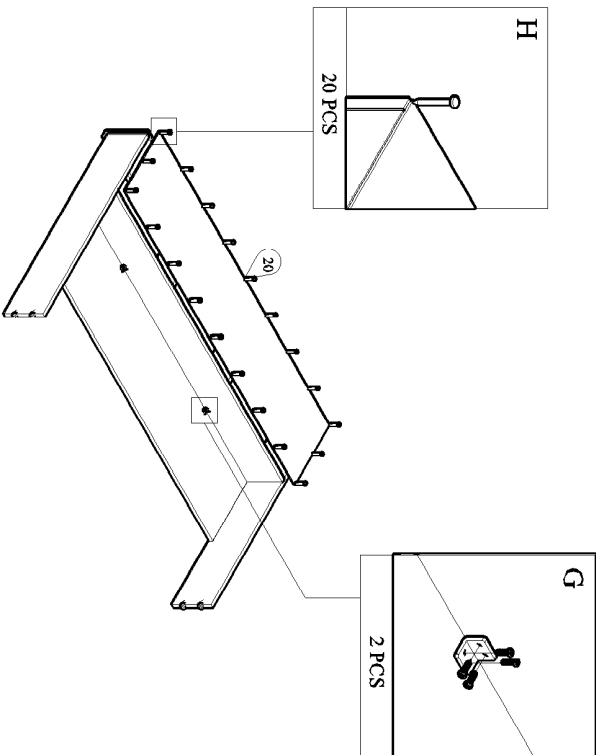
STEP 6



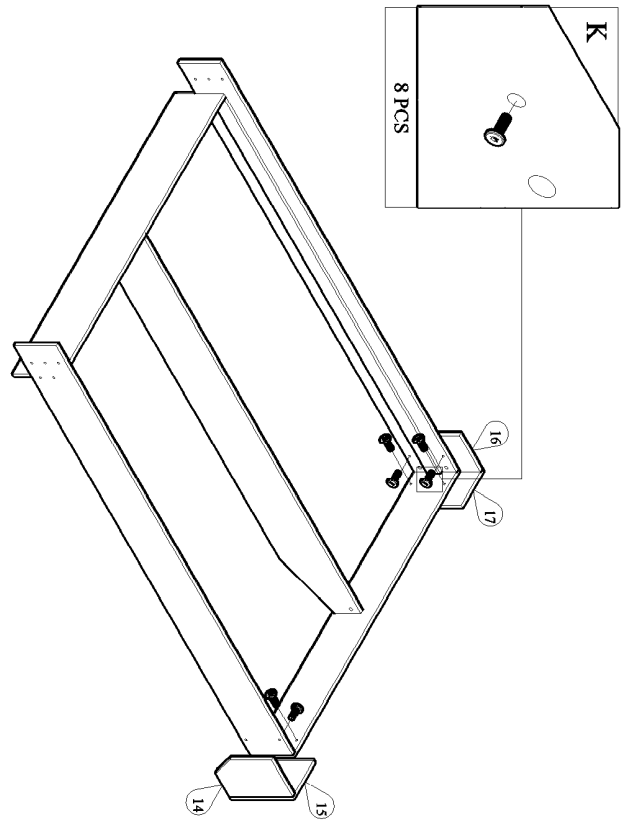
STEP 7



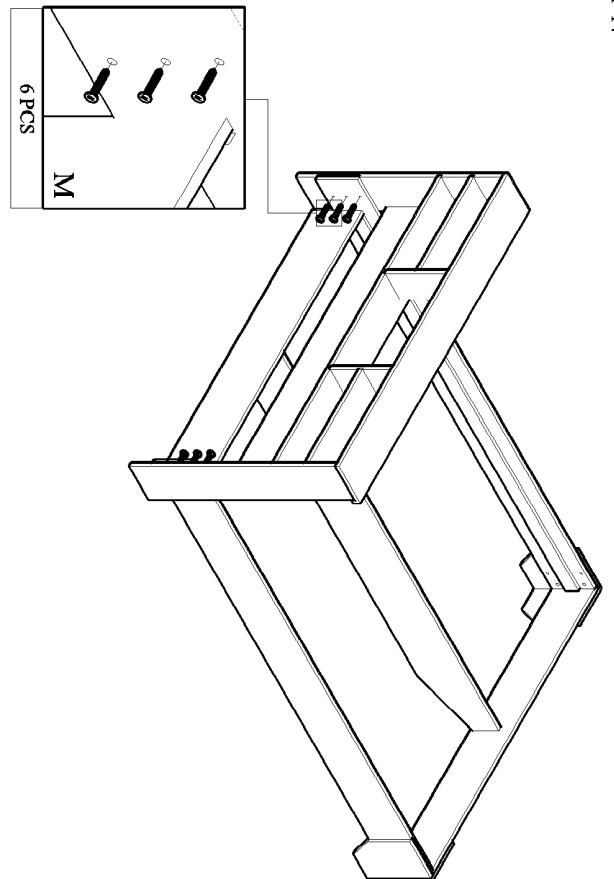
STEP 8



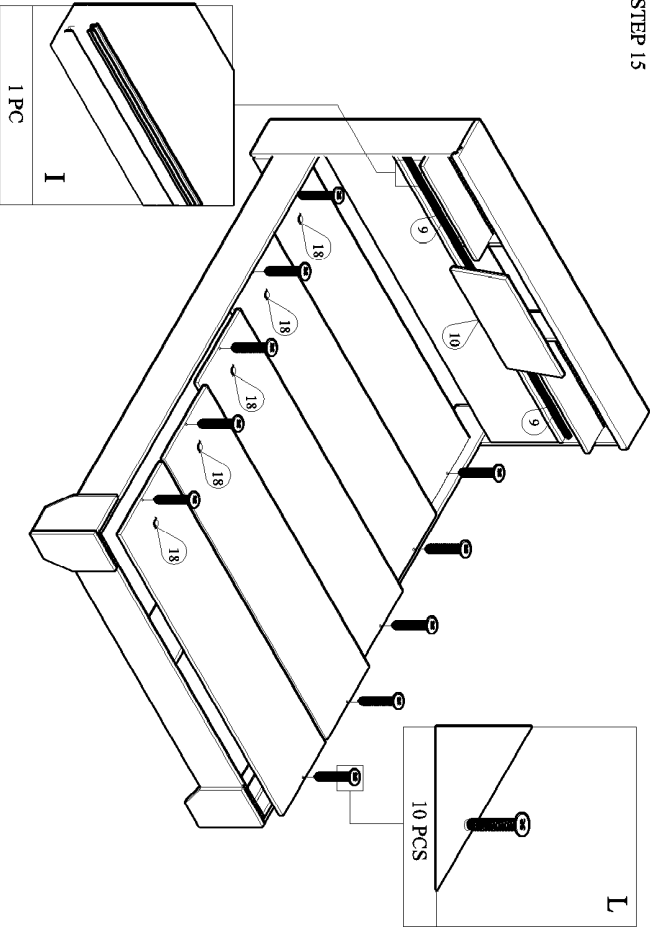
STEP 13



STEP 14



STEP 15



COMPLETED

