
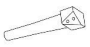

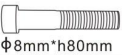
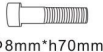




Assembly Instruction

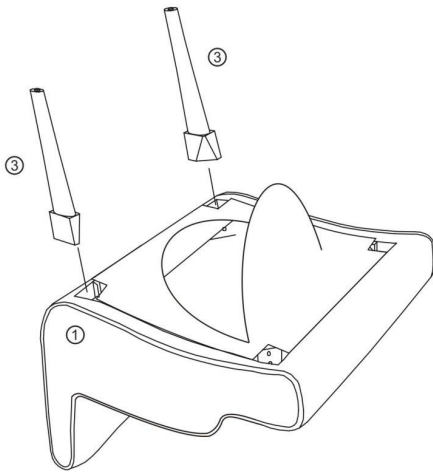
Instruction d'Assemblage

ITEM#U50333-20B/U5033N-20B/5033W-20B

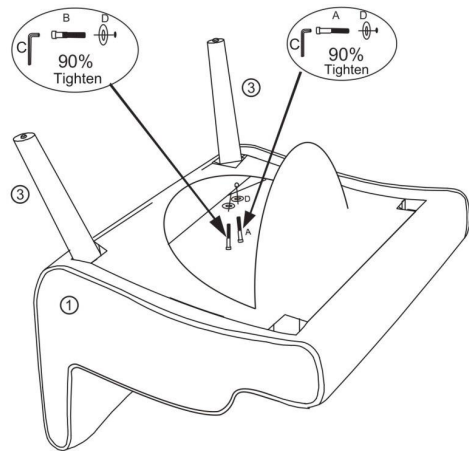
Hardware List

①		Chair	1PC
②		TWO LONGER FRONT LEGS MARK "F"	2PCS
③		TWO SHORTER BACK LEGS MARK "R"	2PCS
A	 φ8mm*h80mm	Bolts	4PCS
B	 φ8mm*h70mm	Bolts	4PCS
C		Allen Key	1PC
D		Washer	8 PCS

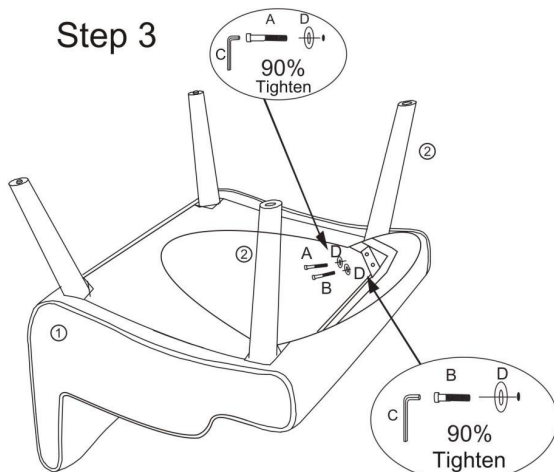
Step 1



Step 2



Step 3



Step 4

