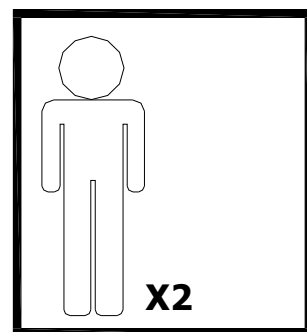
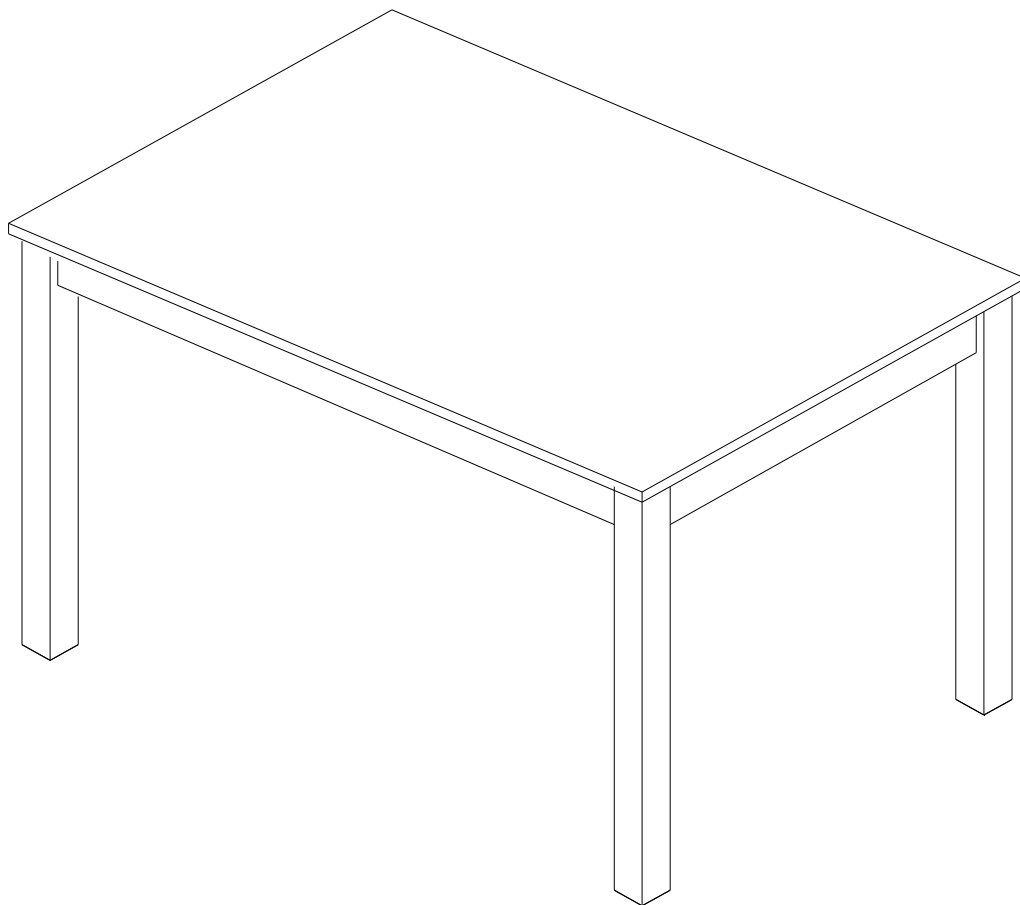
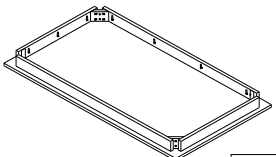
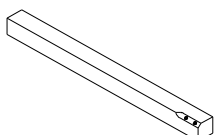
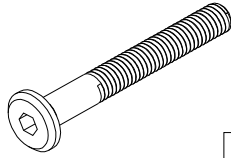
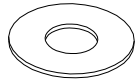
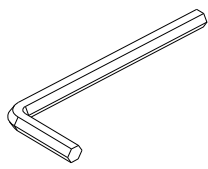
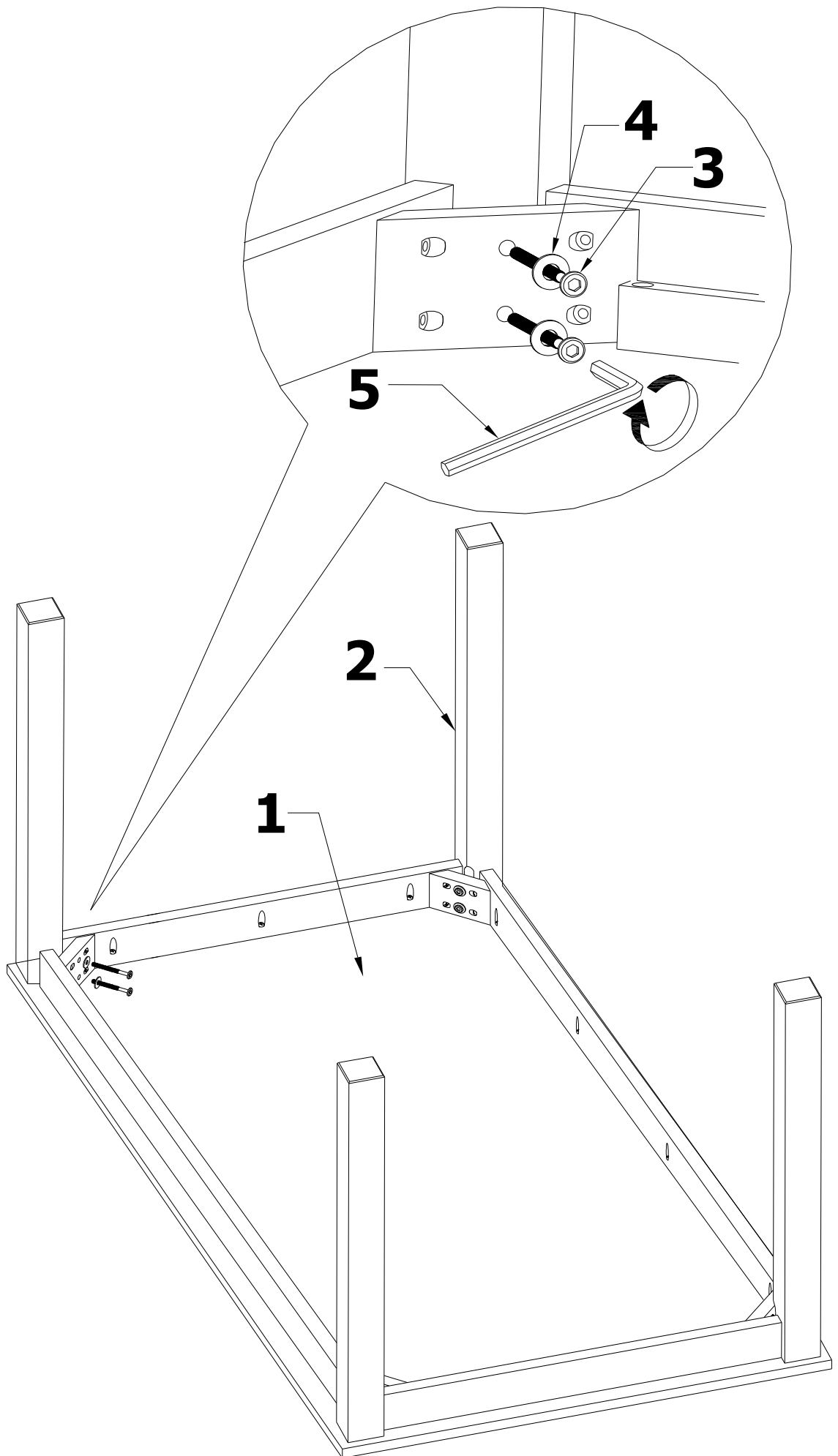


**TV-6785BBH, TV-6786BBH, TV-6787BBH, TV-6788BBH,
TV-6789BBH, TV-6950BBH, TV-6955BBH, TV-6792BBH,
TV-6952BBH, TV-6957BBH, TV-6954BBH**



1  1X	2  4X	3  8X	4  8X
5  1X			

1



AI 0326-00

Date	Revision	Model Num.	Change Contents	Revision Control Num. (AI Rev-xxxx)	Revised By	Enforcement	Remarks
09.05.2011	0	TV-678xBBH	OFFICIAL ISSUE	-	Irene Beh	FIRST LOT	
05.12.2011	1	TV-6788BBH, TV-6789BBH	REVISED ISSUE	-	Irene Beh	FIRST LOT	
08.02.2012	2	TV-695xBBH	REVISED ISSUE	-	Irene Beh	FIRST LOT	
31.10.2012	3	TV-6792BBH	Add New Model	-	Irene Beh	FIRST LOT	
12.03.2013	4	TV-6952BBH, TV-6957BBH	Add New Model	-	Irene Beh	FIRST LOT	
31.07.2013	5	TV-6954BBH	Add New Model	-	Irene Beh	FIRST LOT	

PIC Check :	Date:
Prepared by : Ng SW	Date: 31.07.2013
Approved by : Antonio Guan	Date: 31.07.2013