

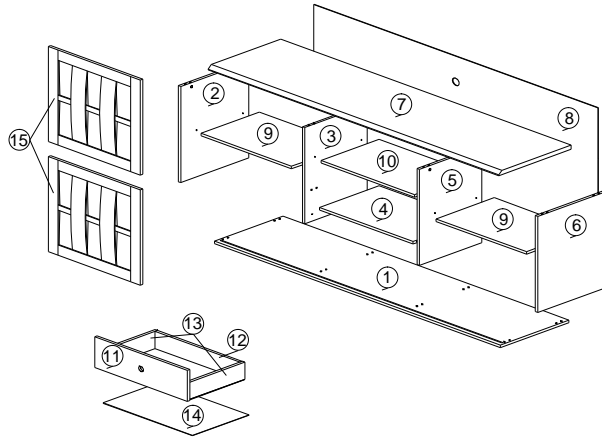
ASSEMBLY INSTRUCTION

MODEL : TV 831240

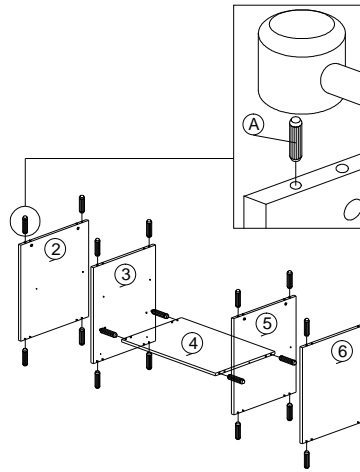
DESCRIPTION : TV CABINET

HARDWARE	A	B	C	D	E	F	G	H	I	J	K	L	
	WOOD DOWEL 8 X 25 1X20	CB SCREW M3.5X16MM 1X52	CB SCREW M4X38MM 1X8	CSK CAP WOOD M6X50MM 1X8	NAIL 6/8 1X40	ALLEN KEY 1X1	MINIFIX 5654+5546 12 SETS	MINIFIX CAP 1X12	METAL SHELF SUPPORT 1X12	HANDLE BK-118 -35MM (METAL) 1X1	K455 ROLLER 4 SETS	DRAWER SLIDE 14" 1 SET	38100 PVC BROWN LEG 1X6

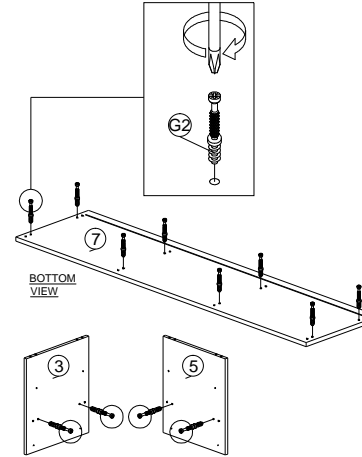
PART LIST



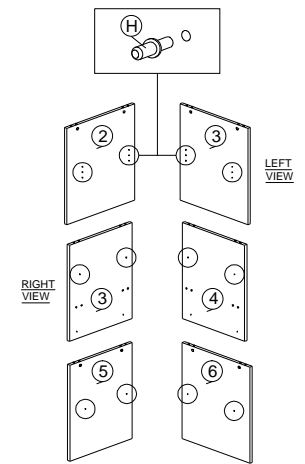
STEP 1



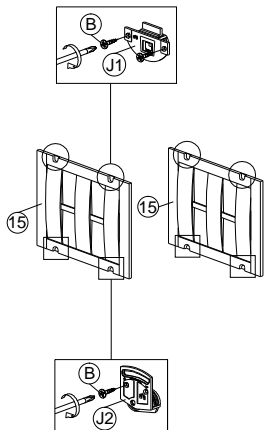
STEP 2



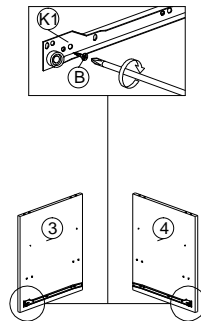
STEP 3



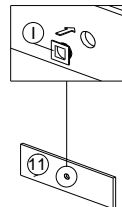
STEP 4



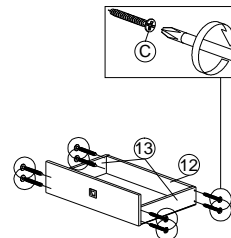
STEP 5



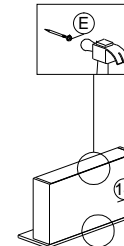
STEP 6



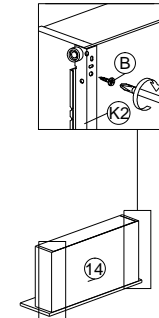
STEP 7



STEP 8



STEP 9

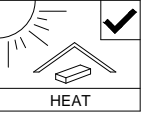




SOFT, DRY CLOTH



CHEMICAL



HEAT



KEEP DRY



HANDLE WITH CARE



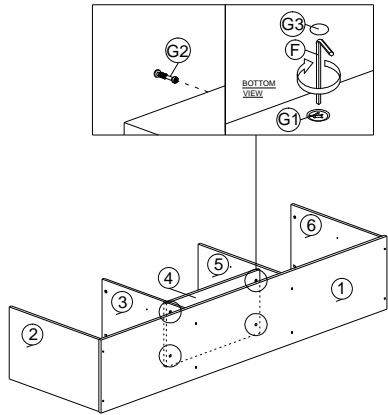
DO NOT USE KNIFE

ASSEMBLY INSTRUCTION

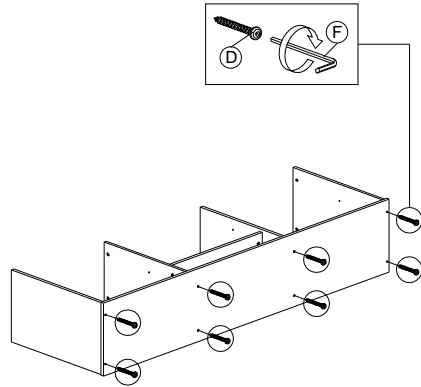
MODEL : TV 831240

DESCRIPTION : TV CABINET

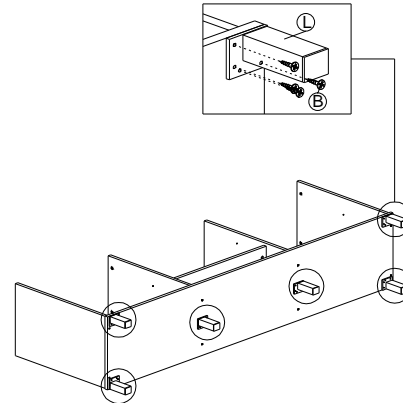
STEP 10



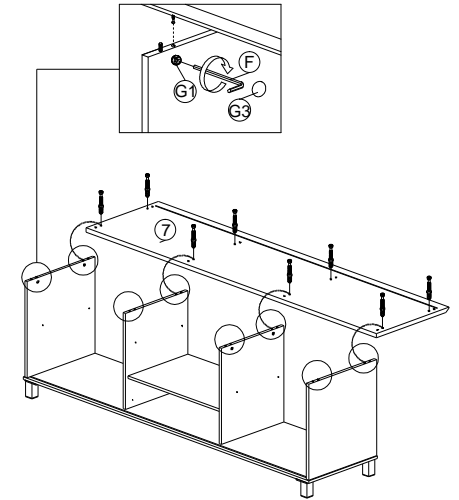
STEP 11



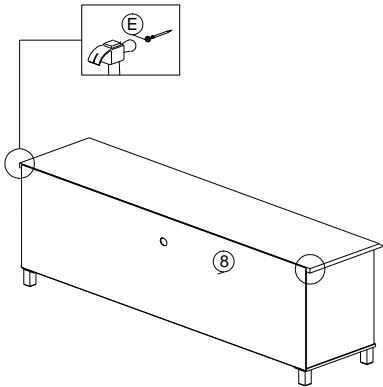
STEP 12



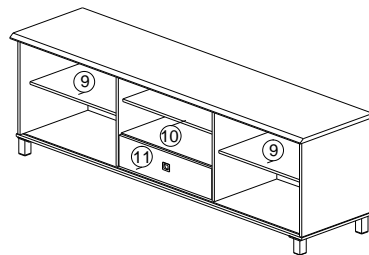
STEP 13



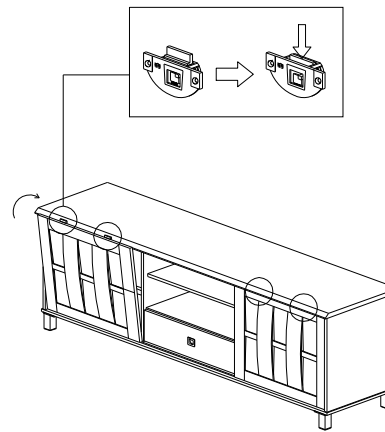
STEP 14



STEP 15



STEP 16



COMPLETED

