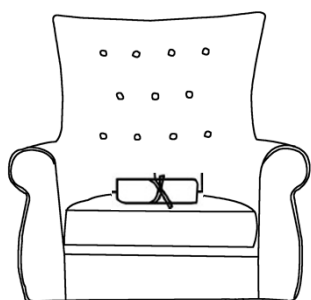
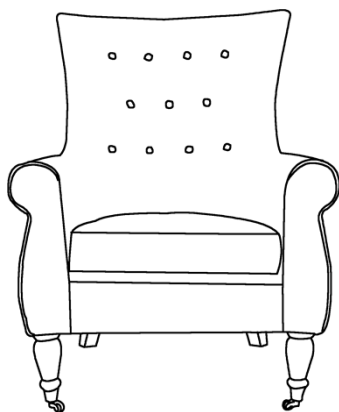


LEGS INSTALLATION INSTRUCTION

ITEM NO.:TSF-71014-CC



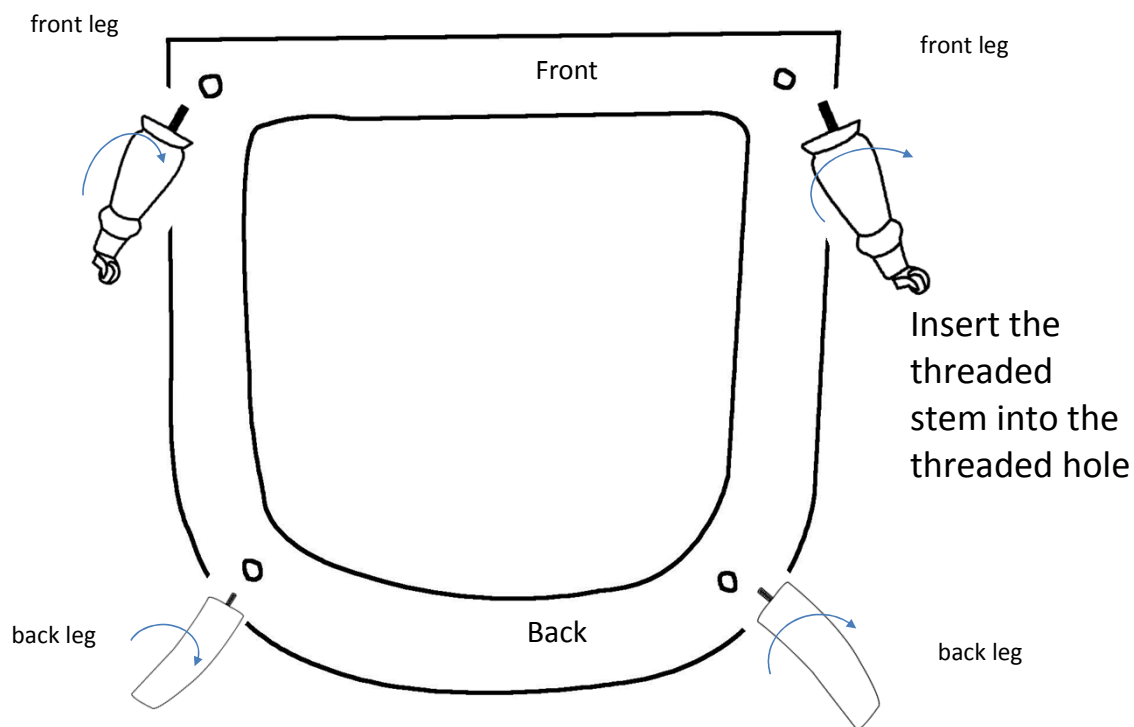
Leg position of the chair



front leg*2PCS



Back leg*2PCS



Insert the threaded stem into the threaded hole