

MODEL:TS 1135

DESCRIPTION : UPTON QUEEN BED

ASSEMBLY INSTRUCTION



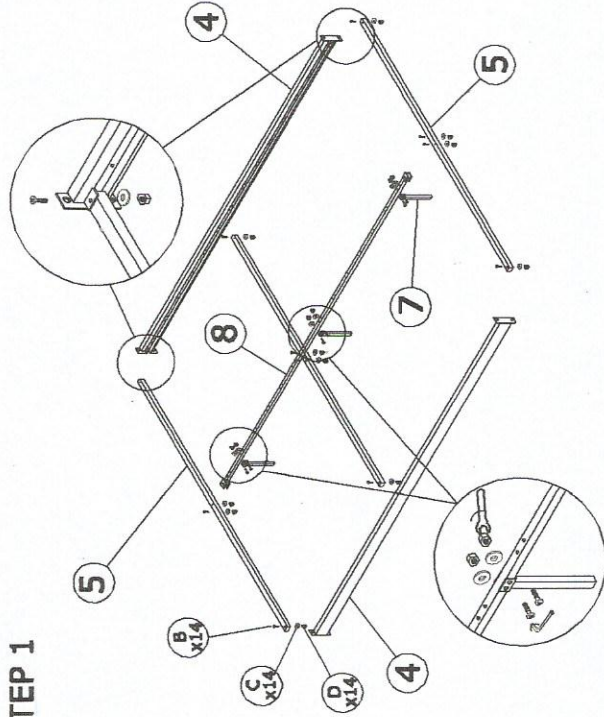
PARTS LIST

NO	DESCRIPTION	QTY
1	Headboard	1 pcs
2	Footboard	1 pcs
3	Middle Cap	13 pcs
4	Side Rail	2 pcs
5	Cross Bar	3 pcs
6	Bendwood slat	26 pcs
7	Middle Support Leg	3 pcs
8	Middle Support	1 pcs
9	End Cap	26 pcs

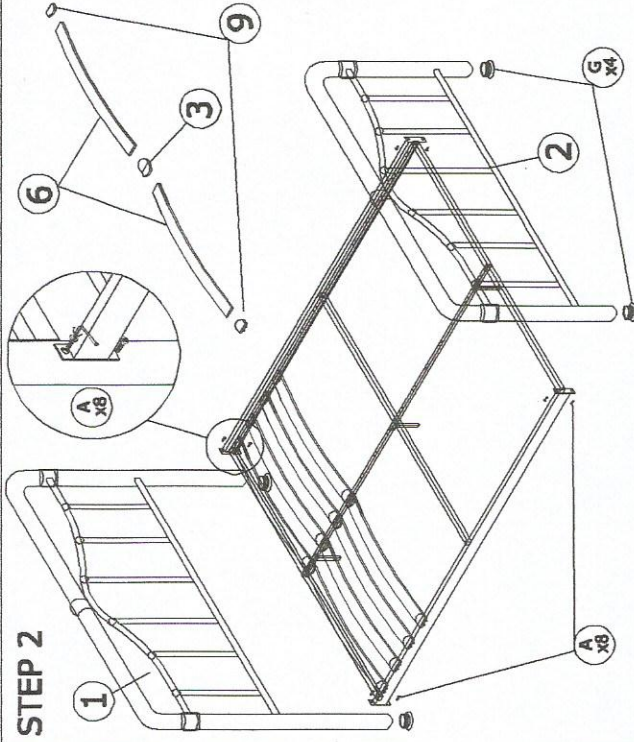
HARDWARE LIST

NO	DESCRIPTION	QTY
A	JCBC M6 x 20	8 pcs
B	JCBC M6 x 35	14 pcs
C	M6 WASHER	14 pcs
D	M6 HEX NUT	14 pcs
E	ALLEN KEY	1 pcs
F	WRENCH M10	1 pcs
G	1.5" ROUND CAP	4 pcs

STEP 1



STEP 2



FULLY SET UP

