



ASSEMBLY INSTRUCTION

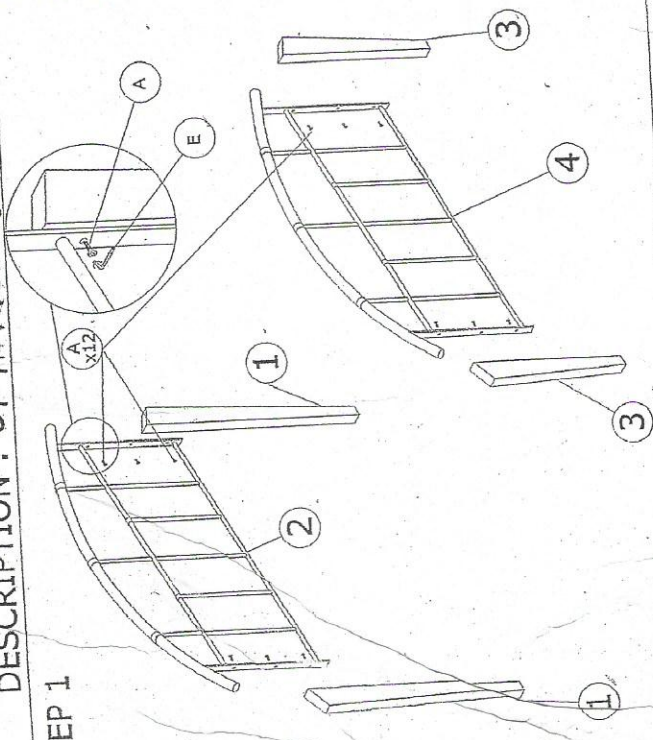
DESCRIPTION: OPTIMUS QUEEN BED

MODEL: TS 1092

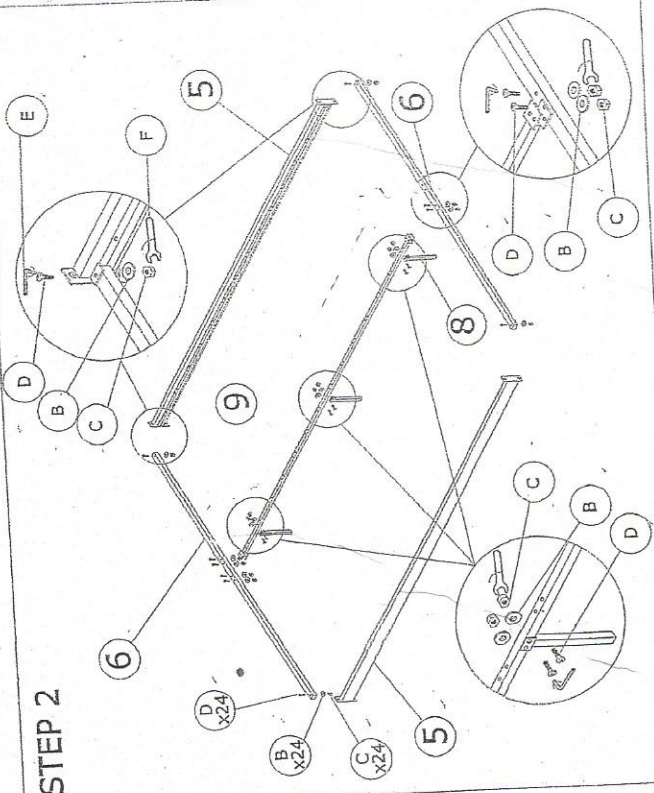
PARTS LIST

NO	DESCRIPTION	QTY
1	Headboard Post R/L	2 pcs
2	Headboard steel	1 pcs
3	Footboard Post R/L	2 pcs
4	Footboard Steel	1 pcs
5	Side Rail	2 pcs
6	End Bar	2 pcs
7	Bentwood slat	26 pcs
8	Middle Support Leg	pcs
9	Middle Support	1 pcs
10	Leg Cap	pcs
11	MIDDLE CAP	13 pcs

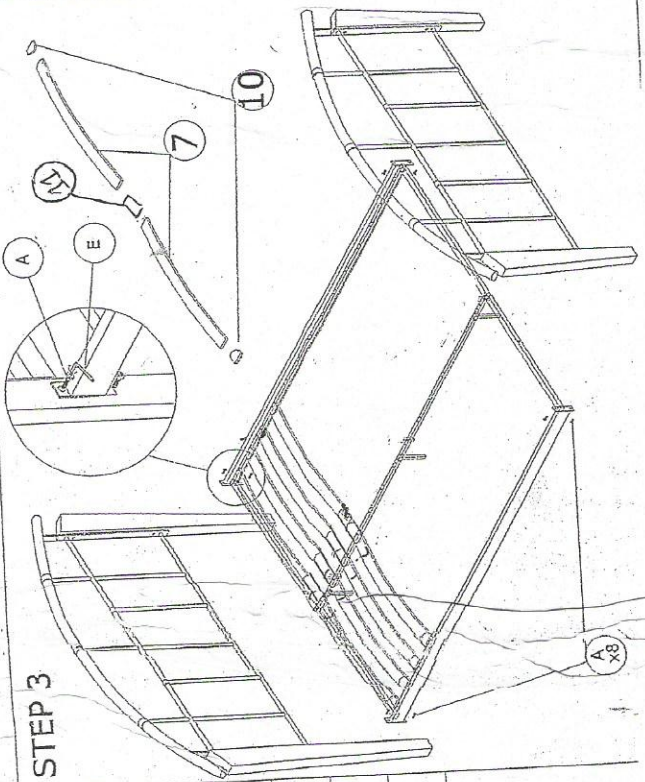
STEP 1



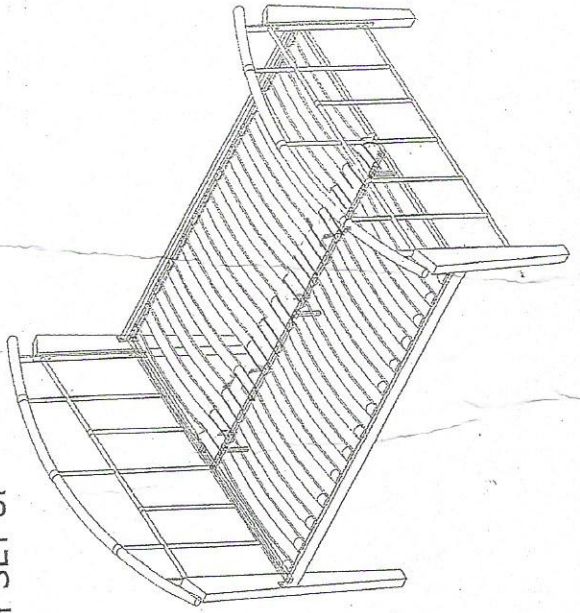
STEP 2



STEP 3



FULLY SET UP



HARDWARE LIST

NO	DESCRIPTION	QTY
A	JCBC M6 X 20	20 pcs
B	M6 WASHER	14 pcs
C	M6 HEX NUT	14 pcs
D	JCBC M6 X 35	14 pcs
E	ALLEN KEY	1 pcs
F	SPANAR M10	1 pcs