

MODEL: TS MARIA

ASSEMBLY INSTRUCTION

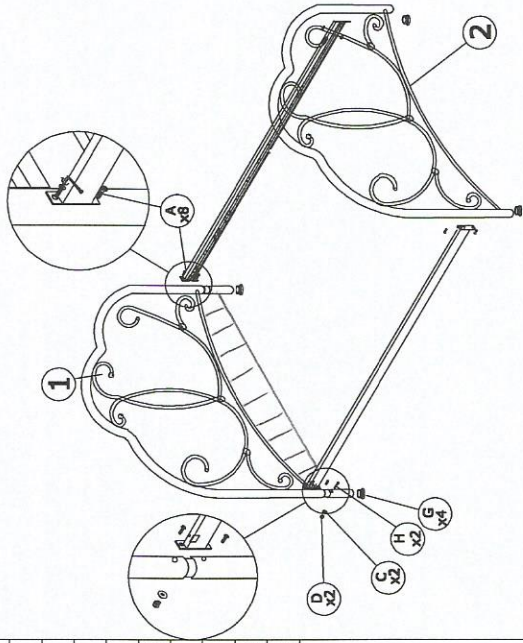
DESCRIPTION : FULL BED



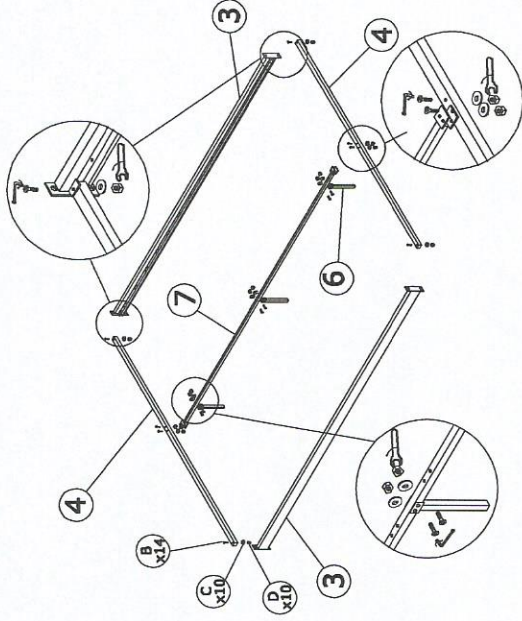
PARTS LIST

NO	DESCRIPTION	QTY
1	Headboard	1 pcs
2	Footboard	1 pcs
3	Side Rail	2 pcs
4	End Bar	2 pcs
5	Bendwood slat	22 pcs
6	Middle Support Leg	3 pcs
7	Middle Support	1 pcs
8	End Cap	22 pcs
9	Middle Cap	11 pcs

STEP 1



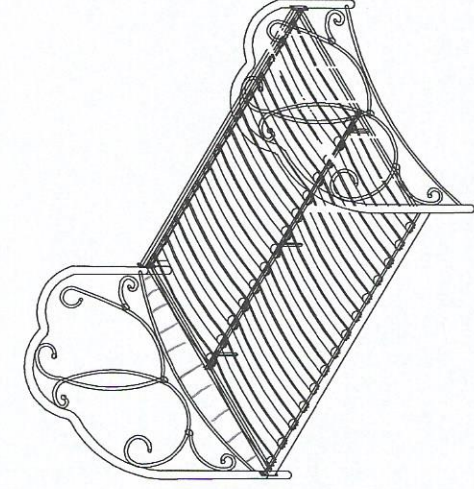
STEP 2



HARDWARE LIST

NO	DESCRIPTION	QTY
A	JCBC M6 x 20	6 pcs
B	JCBC M6 x 35	14 pcs
C	M6 WASHER	12 pcs
D	M6 HEX NUT	12 pcs
E	ALLEN KEY	1 pcs
F	SPANAR M10	1 pcs
G	38mm ROUND CAP	4 pcs
H	JCBC M6 x 50	2 pcs

FULLY SET UP



STEP 3

