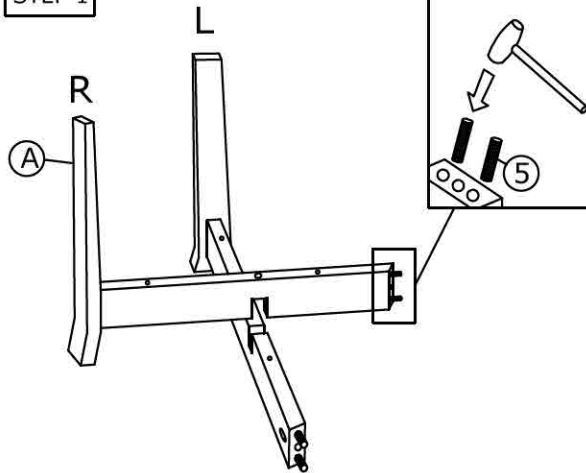


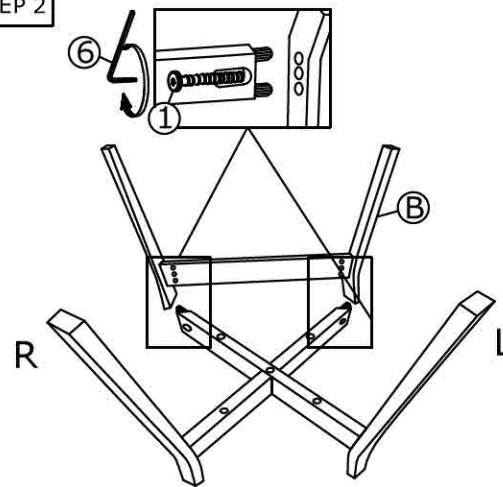
ASSEMBLY INSTRUCTION

DINING CHAIR

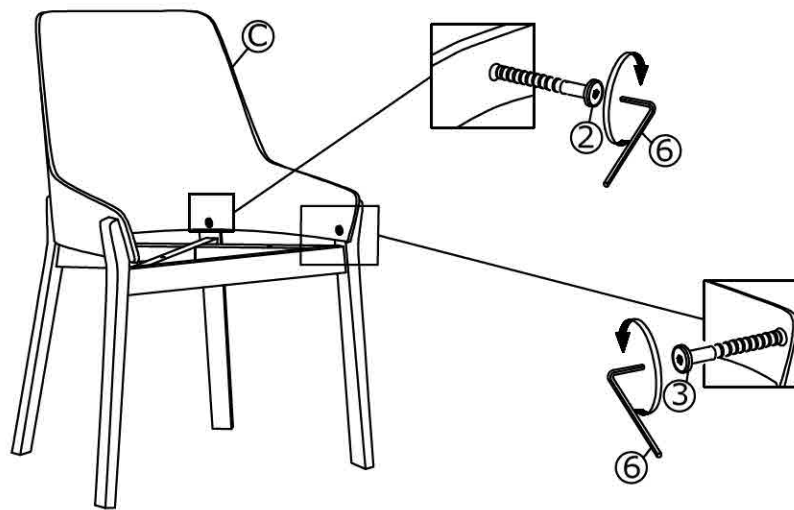
STEP 1



STEP 2



STEP 3



Read instructions carefully. Remove all wrapping material, staples and straps from the carton. See hardware and furniture part list for guidance. Be sure you have all parts before you start assembling. Place all wooden furniture part a clean and flat soft surface, such as carpet or rug to prevent from being scratched.

CAUTION :
KEEP ALL HARDWARE PART OUT OF REACH OF CHILDREN.

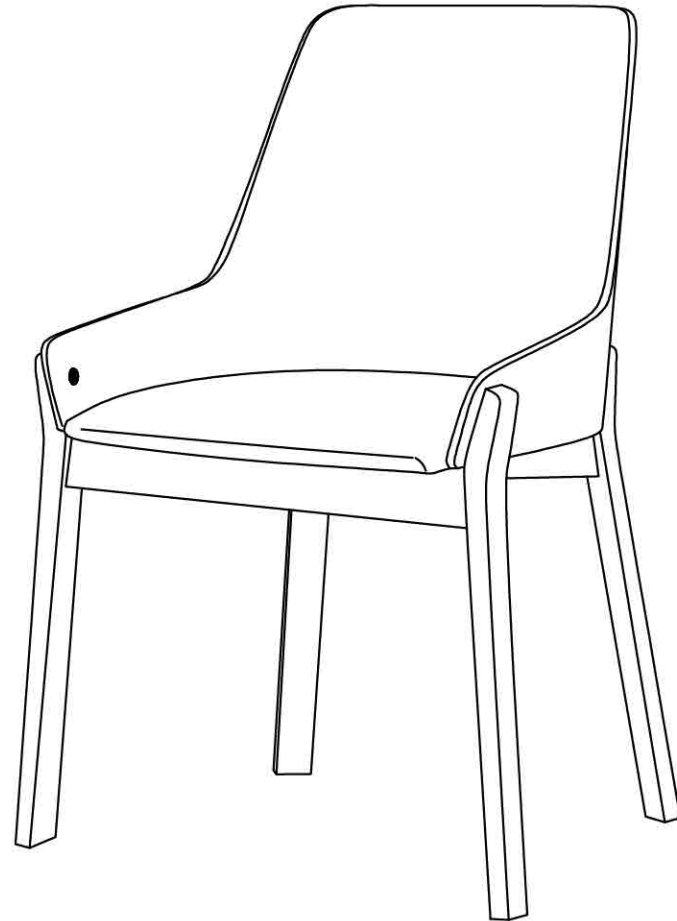
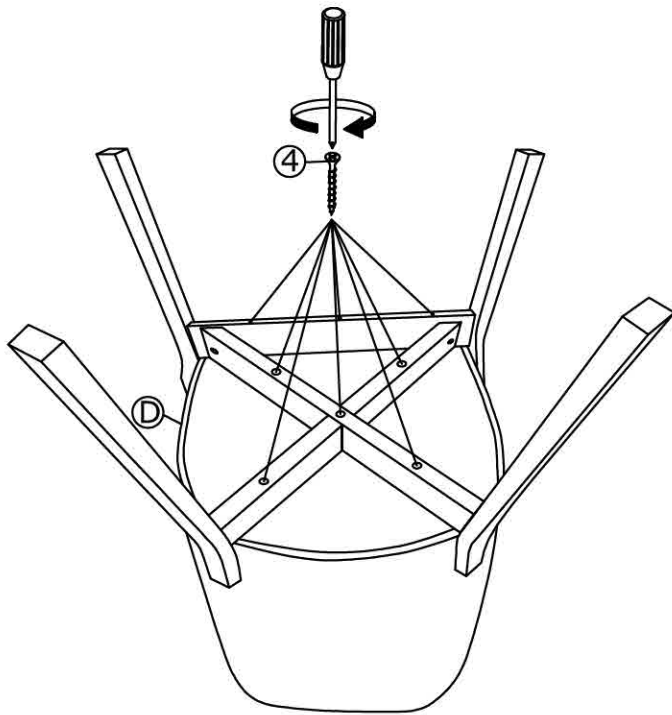
HARDWARE LIST		
ITEM	DESCRIPTION	QTY
1	JCBB SCREW M6 X 30MM (BLACK)	2 PCS
2	JCBC SCREW M6 X 30MM (BLACK)	2 PCS
3	JCBB SCREW M6 X 23MM (BLACK)	2 PCS
4	CSK CB SCREW M5 X 32MM	8 PCS
5	WOOD DOWEL M10 X 30MM	4 PCS
6	ALLEN KEY M4 (BALL SHAPE)	1 PC

PART LIST		
ITEM	DESCRIPTION	QTY
A	'L' LEG	2 PCS
B	FRONT LEG	1 PC
C	BACK REST	1 PC
D	CHAIR SEAT	1 PC

ASSEMBLY INSTRUCTION

DINING CHAIR

STEP 4



COMPLETED CHAIR ASSEMBLY