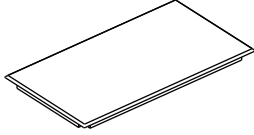
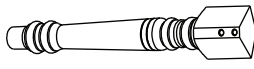



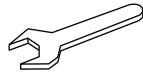


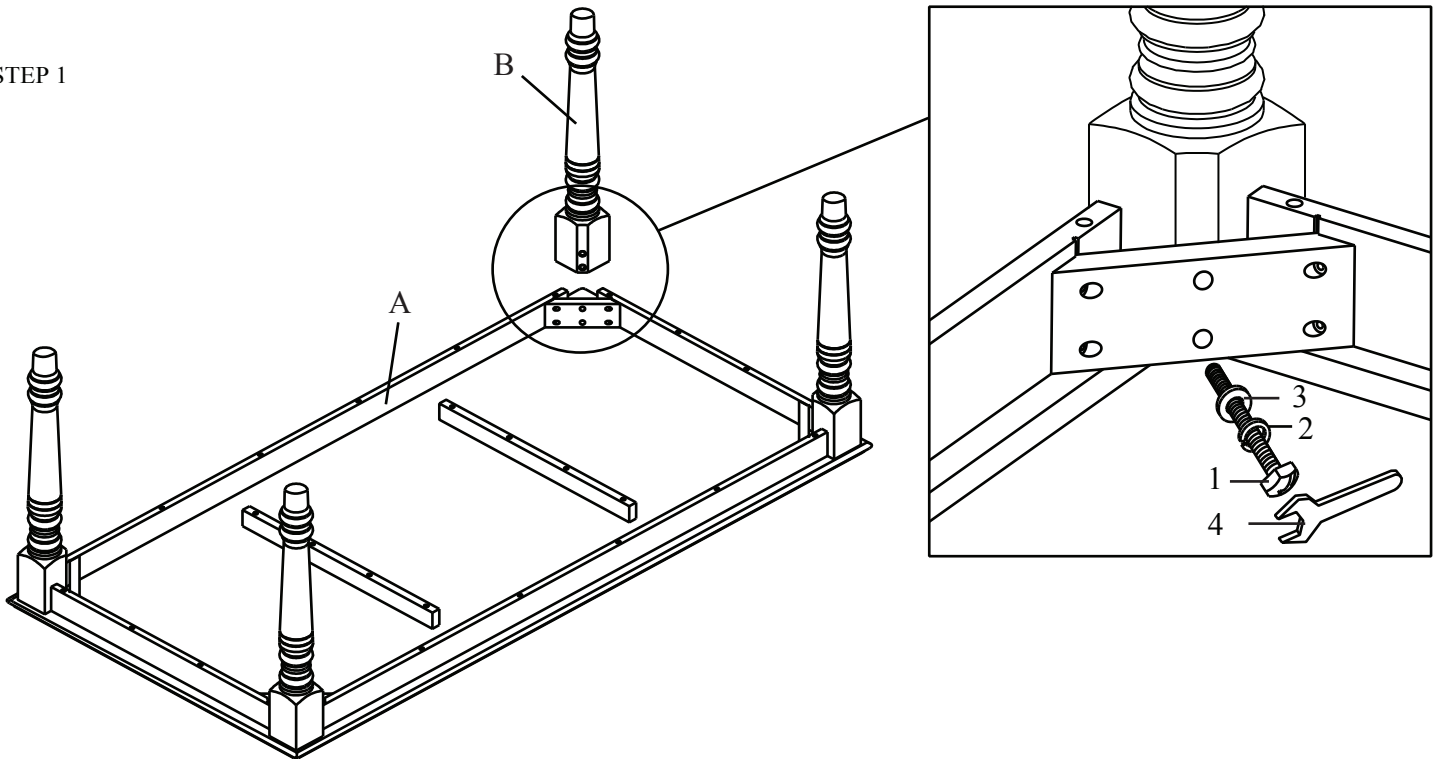
# Assembly Instruction

## SOLID FIXED TOP DINING LEG TABLE

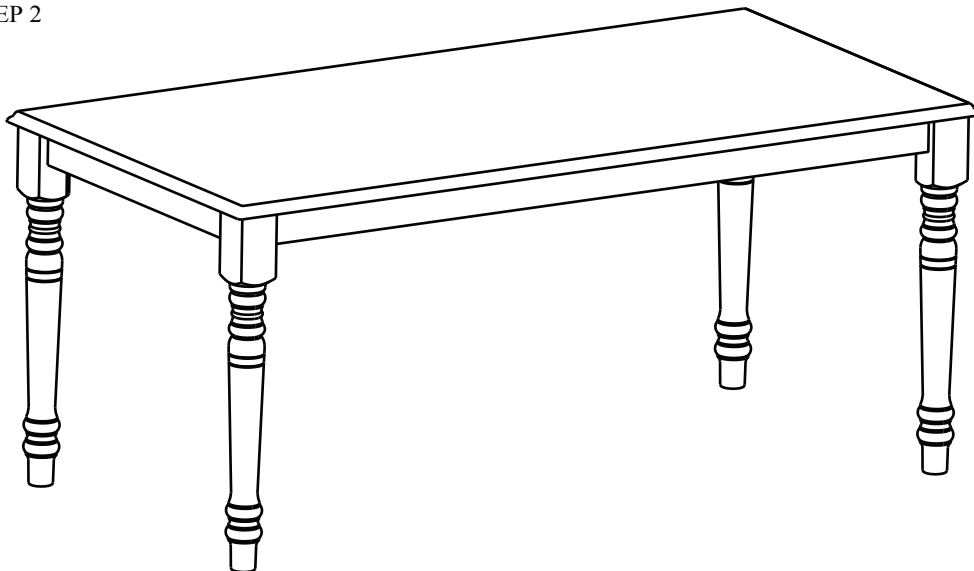
NO	PART LIST		Q'TY
A		Table Top	1
B		Leg	4

NO	HARDWARE LIST		Q'TY
1		Hex Bolt	8 pcs
2		Lock Washer	8 pcs
3		Flat Washer	8 pcs
4		Wrench	1 pc

STEP 1



STEP 2



**Complete view**