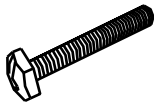


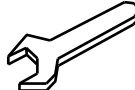


Assembly Instruction

BUTTERFLY EXTENSION DINING LEG TABLE

HARDWARE PART :

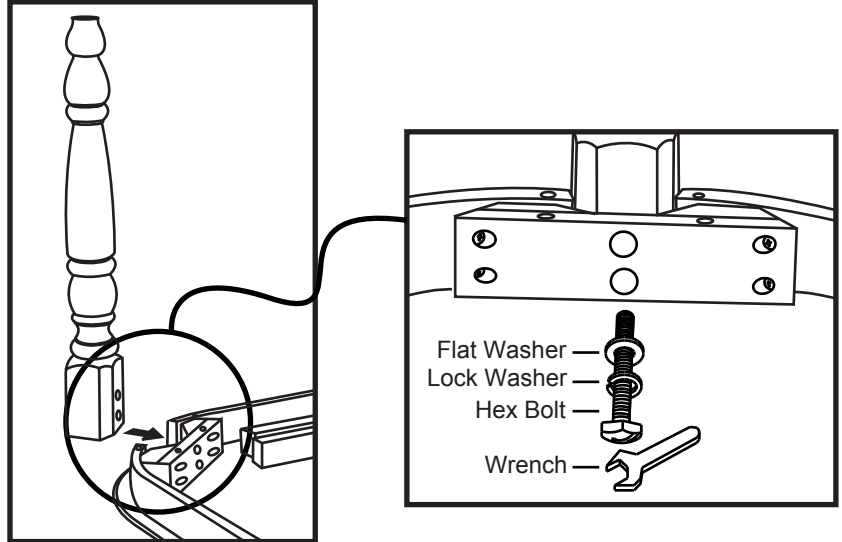
			
Hex Bolt 8 pcs	Flat Washer 8 pcs	Lock Washer 8 pcs	Wrench 1 pce

NOTE : UNIT SHOULD BE ASSEMBLED BY 2 OR MORE PEOPLE.

ASSEMBLY

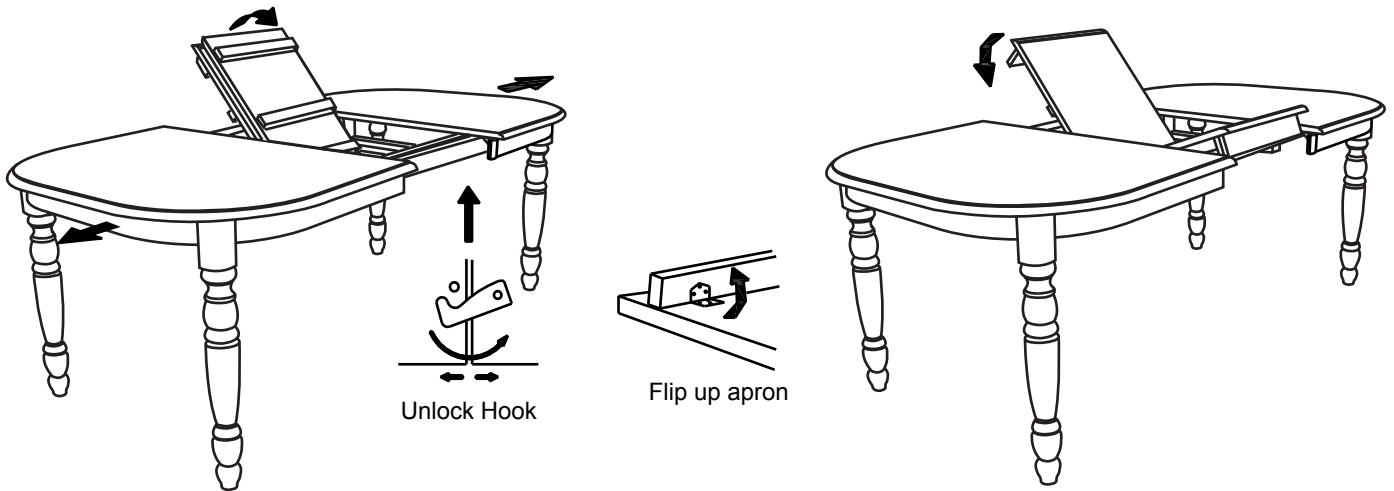
STEP 1

Turn the Table Top upside down on a protective surface such as carpet or other soft material. Place the leg to the corner of the apron, and tighten the Flat Washer, Lock Washer and Hex Bolt using the Wrench provided. Repeat for each leg. Turn the table to upright position.



STEP 2

Unlock the hook underneath the table and pull the table top wide open equally from both ends. Lift both leaves from the compartment and unfold table leaf and place the leaf on the top surface carefully.



STEP 3

Push table top from both ends to close gap and lock the hooks underneath the table.

