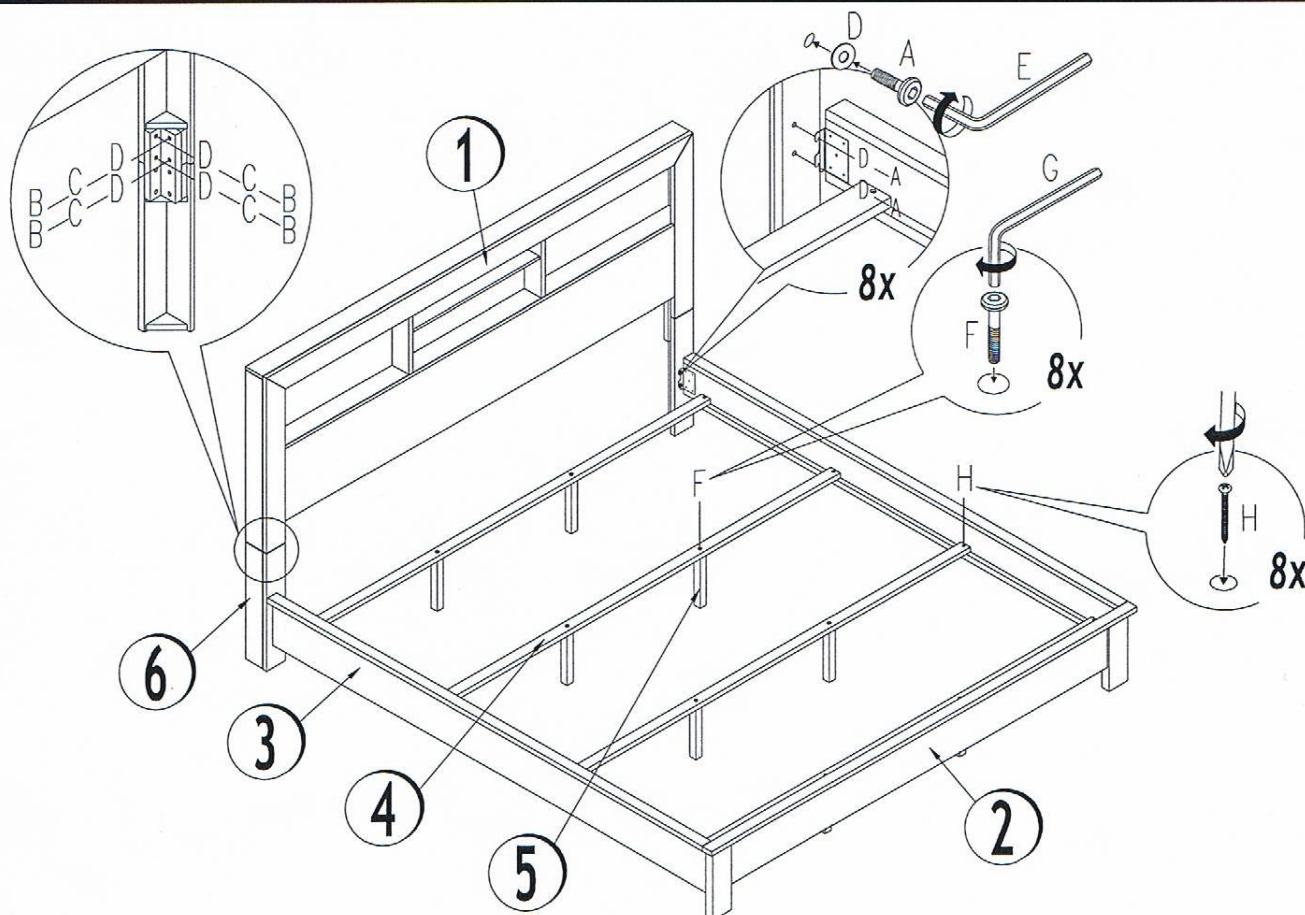


ASSEMBLY INSTRUCTIONS

DESCRIPTION : KING HB / FB
KING SIDE RAIL

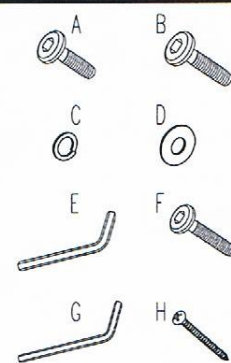


PARTS LIST

NO	DESCRIPTION	QTY
1	HEADBOARD	1 PC.
2	FOOTBOARD	1 PC.
3	SIDE RAIL	2 PCS.
4	SLAT	4 PCS.
5	VERTICAL LEG	8 PCS.
6	HEADBOARD LEG (L / R)	2 PCS.

HARDWARE LIST

NO	DESCRIPTION	QTY
A	JCBB (M8 x 20)	8 PCS.
B	JCBB (M8 x 35)	8 PCS.
C	SPRING WASHER (M8)	8 PCS.
D	FLAT WASHER (M8)	16PCS.
E	ALLEN KEY (M5)	1 PC.
F	JCBC (M6 x 35)	8 PCS.
G	ALLEN KEY (M4)	1 PC.
H	PANHEAD SCREW M4 x 32MM	8 PCS.



TOOL REQUIRED (NOT PROVIDED)



IMPORTANT NOTE :

- * Place all wooden parts on a clean and smooth surface such as a rug or carpet to avoid the parts from being scratched.
- * Check to be sure that you have all parts and hardware.
- * Remove all wrapping materials, including staples & packing straps before you start to assemble.
- * Do not tighten all screws/bolts until all completely assembled.
- * Keep all hardware parts out of reach of children.