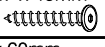
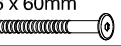
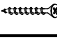





# ASSEMBLY INSTRUCTIONS

## MODEL : SUGAR DINING CHAIR

- IMPORTANT NOTE :**
- \* PLACE ALL WOODEN PARTS ON A CLEAN AND SMOOTH SURFACE SUCH AS A RUG OR CARPET TO AVOID THE PARTS FROM BEING SCRATCHED.
  - \* BEFORE YOU BEGIN, KINDLY FOLLOW THE ASSEMBLY INSTRUCTIONS STEP BY STEP.
  - \* DO NOT TIGHTEN ALL SCREWS UNTIL THE CHAIR IS FULLY SET-UP.

HARDWARE LIST			PART LIST		
A	JCBC W SCREW M7 x 40mm 	1PC	1	LEG (UP)	1PC
B	JCBC SCREW M6 x 60mm 	4PCS	2	LEG (DOWN)	1PC
C	FH SCREW # 8 x 25mm 	8PCS	3	CUSHION CHAIR	1PC
D	SPRING WASHER M6 	4PCS	4	CORNER BLOCK	2PCS
E	FLAT WASHER M6 	4PCS			
F	ALLEN KEY M4 	1PC			

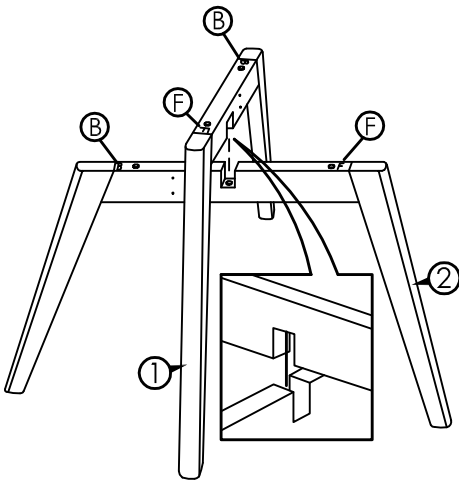
### CAUTIONS :

(1) DO NOT FULLY-TIGHTEN THE NUT OR NUT BOLTS INITIALLY UNTIL ALL NUTS OR BOLT IS READY ASSEMBLED.

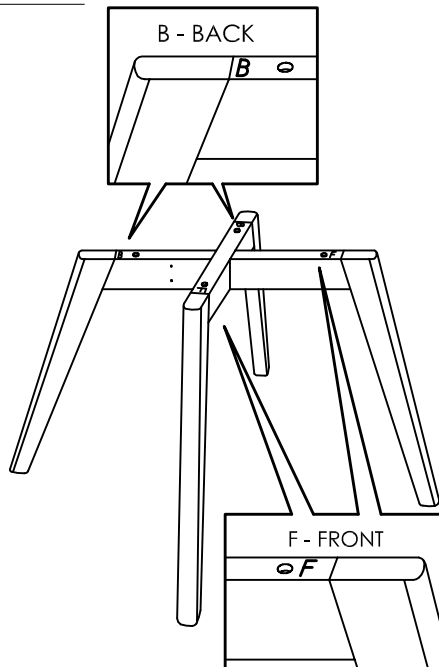
(TO AVOID CAUSING DAMAGES TO THE THREAD, DO NOT OVER-TIGHTEN THE NUTS OR BOLTS.)

(2) KEEP ALL HARDWARE PART OUT OF REACH OF CHILDREN.

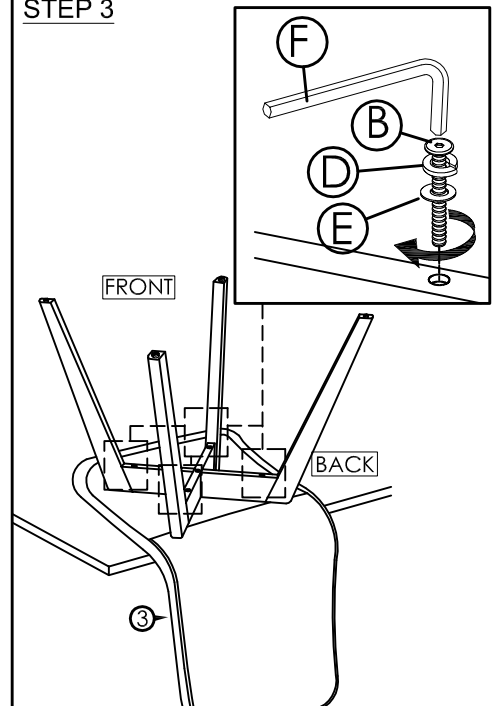
### STEP 1



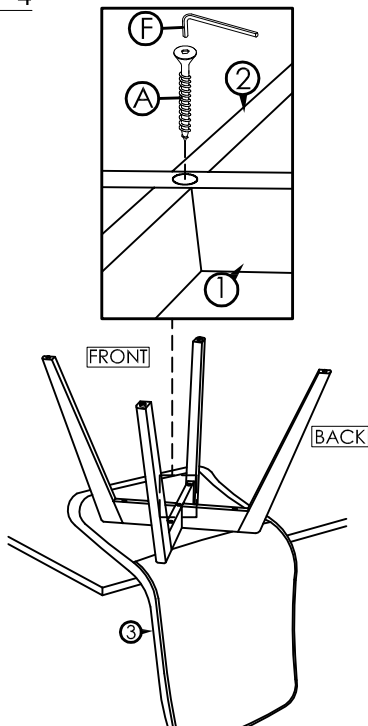
### STEP 2



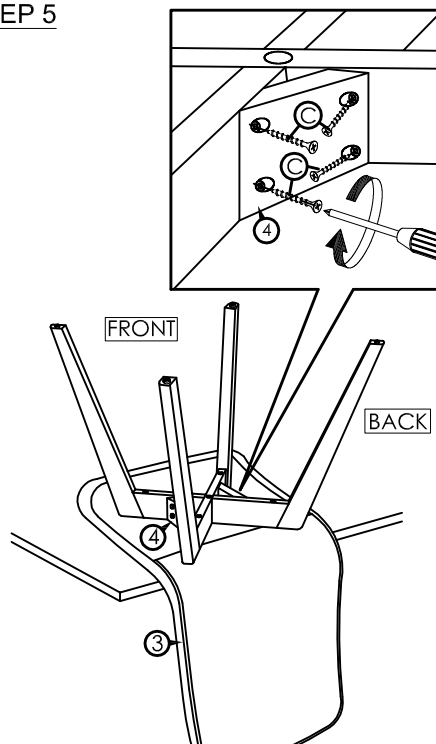
### STEP 3



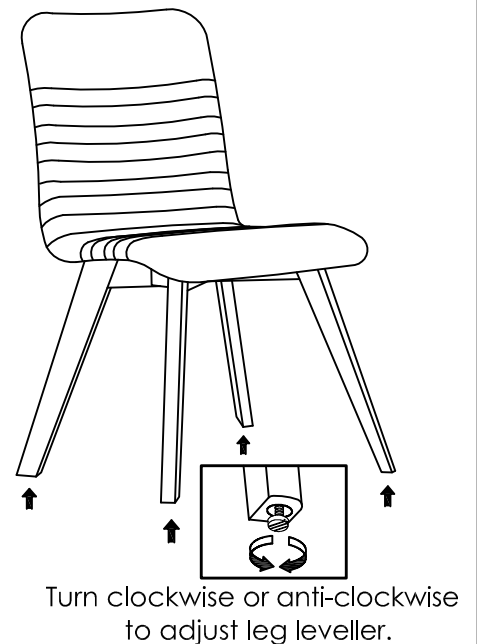
### STEP 4



### STEP 5



### STEP 6



COMPLETED CHAIR ASSEMBLY.