

ASSEMBLY TIPS

1. Remove hardware from box and sort by size.
2. Please check to see that hardware and parts are present prior start of assembly.
3. Please follow attached instructions in the same sequence & numbered to assure fast and easy assembly.

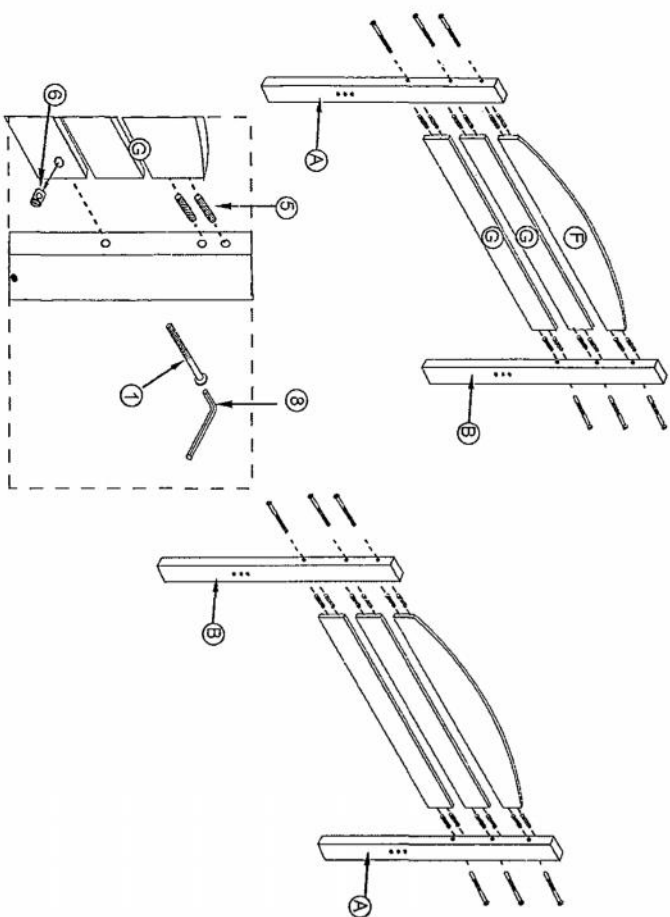
WARNING !

1. Don't attempt to repair or modify part that are broken or defective. Please contact the store immediately.
2. This Product is for home use only and not intended for commercial establishments.

HARDWARE LIST	
1	JCBC M6 x 100 mm 46 pos
2	JCBC M6 x 50 mm 6 pos
3	JCBC M6 x 30 mm 13 pos
4	WOODEN SCREW M4 X 25 52 pos
5	WOOD DOWEL 8 x 35 mm 68 pos
6	BARREL NUT M6 x 13 mm 52 pos
7	WOOD DOWEL 16x 65 mm 4 pos
8	ALLEN KEY M4 1 pos

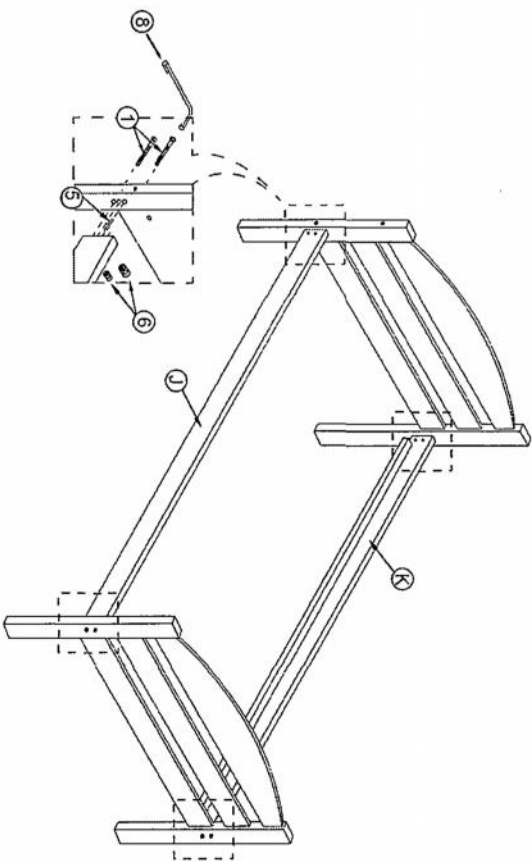
COMPONENT LIST	
A	LOWER LEG - LEFT FRONT & RIGHT REAR 2 pos
B	LOWER LEG - LEFT FRONT & RIGHT FRONT 2 pos
C	LOWER LEG - LEFT FRONT & RIGHT FRONT 1 pos
D	UPPER LEG - RIGHT REAR 1 pos
E	UPPER LEG - LEFT FRONT 4 pos
F	PANEL 8 pos
G	PANEL 1 pos
H	SIDE RAIL (UPPER - REAR) 1 pos
I	SIDE RAIL (LOWER - FRONT) 1 pos
J	SIDE RAIL (LOWER - REAR) 1 pos
K	GUARD RAIL UPPER & LOWER (REAR) 1 pos
L	GUARD RAIL UPPER & LOWER (FRONT) 2 pos
M	GUARD RAIL SUPPORT (FRONT & REAR) 3 pos
N	GUARD RAIL SUPPORT (FRONT & REAR) 2 pos
O	SLAT 2 pos
P	LADDER SHORT RAIL 1 pos
Q	LADDER LONG RAIL 1 pos
R	LADDER STRETCHER 2 pos

STEP 1



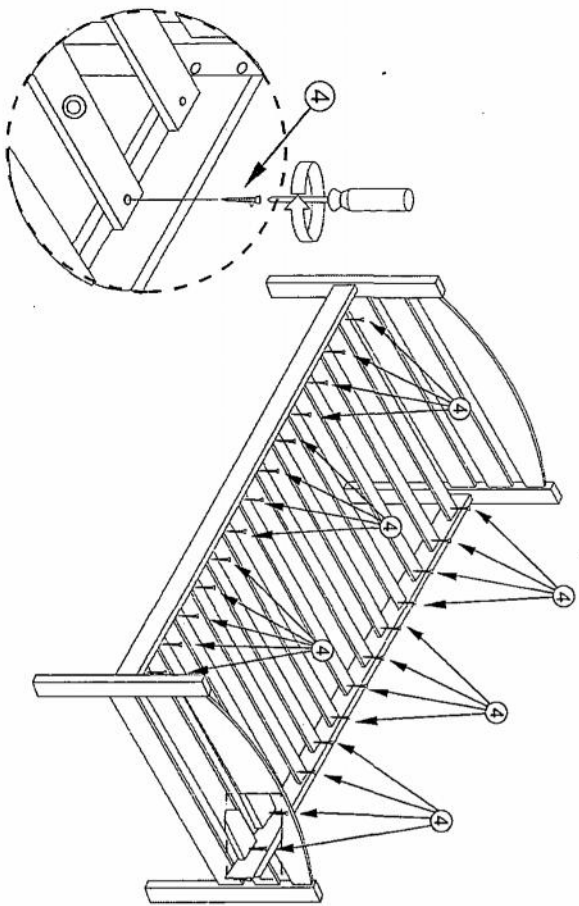
LOWER BED

STEP 2



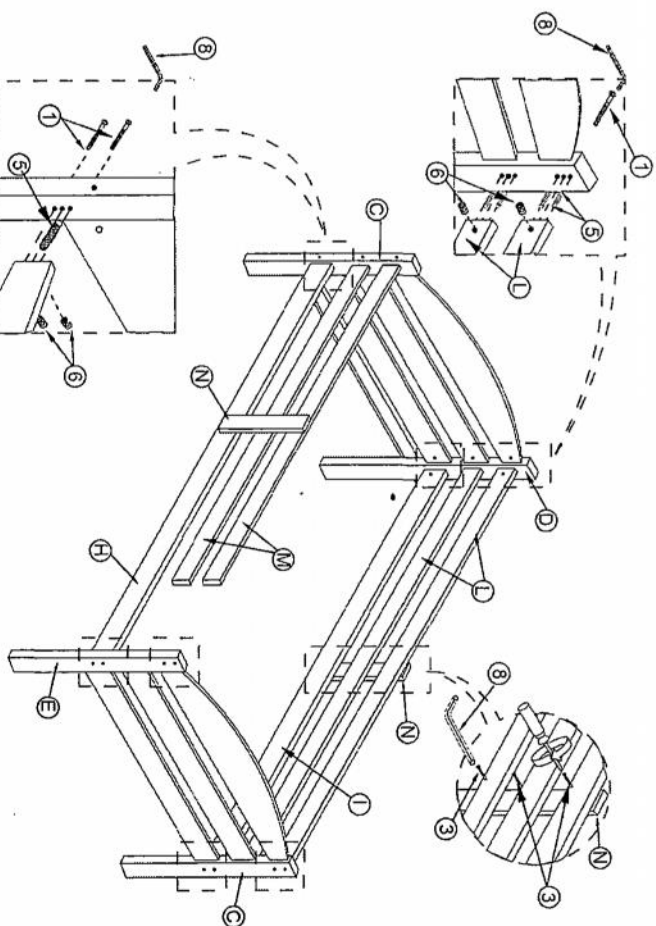
LOWER BED

STEP 3



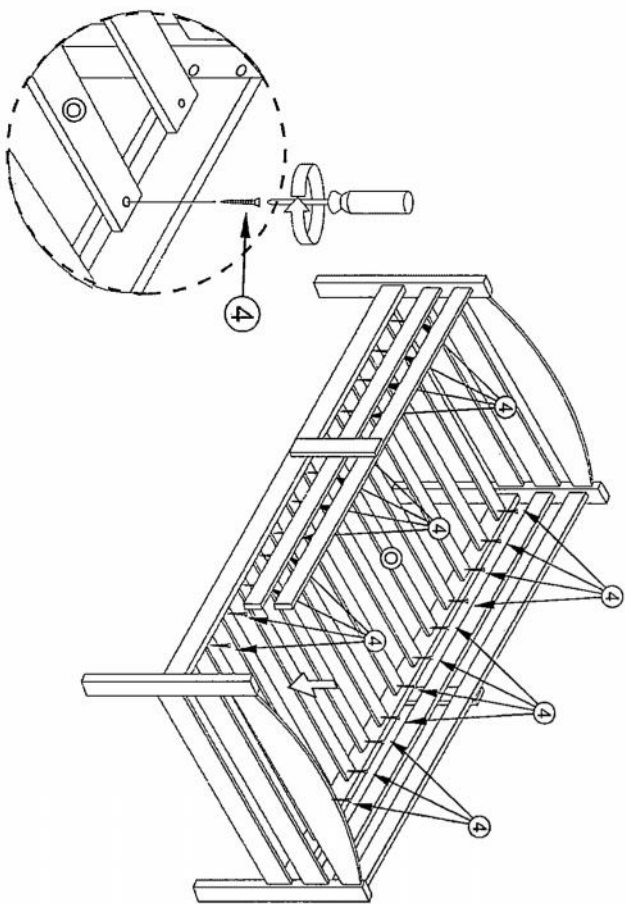
LOWER BED

STEP 4



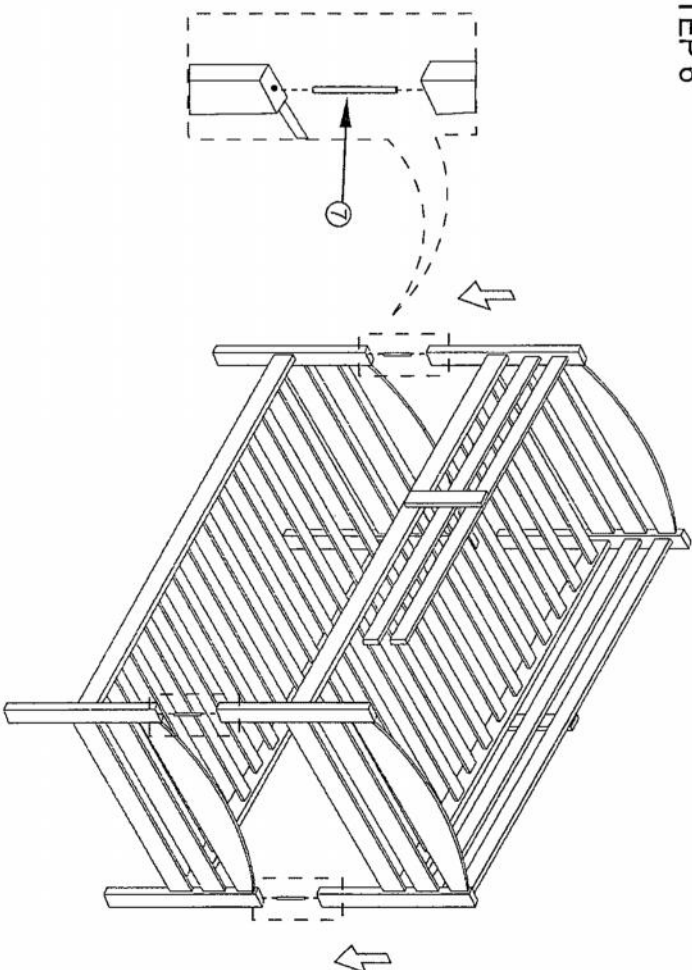
UPPER BED

STEP 5

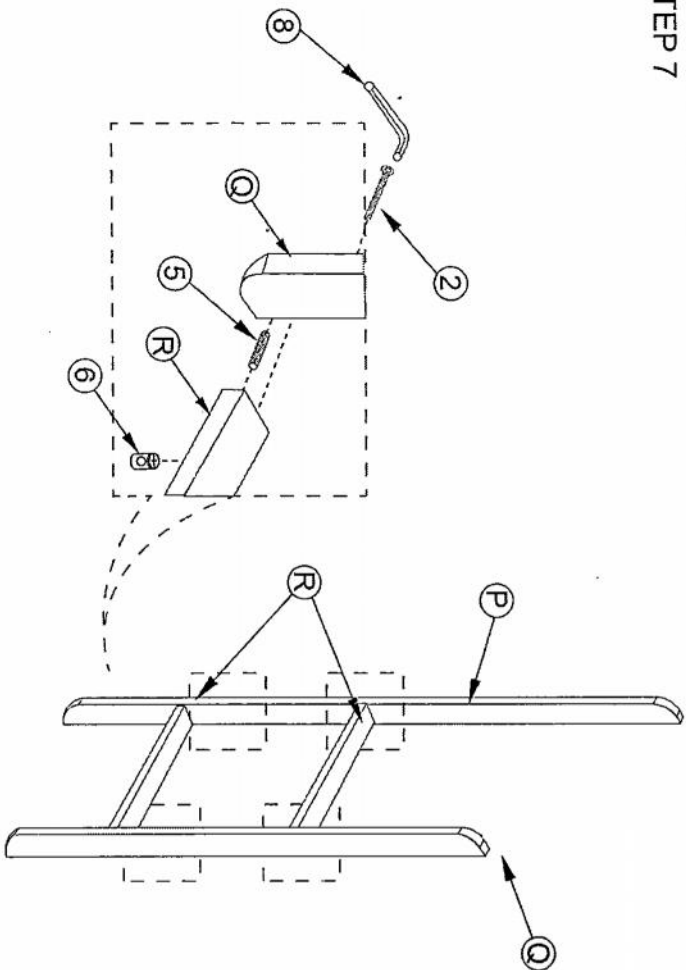


UPPER BED

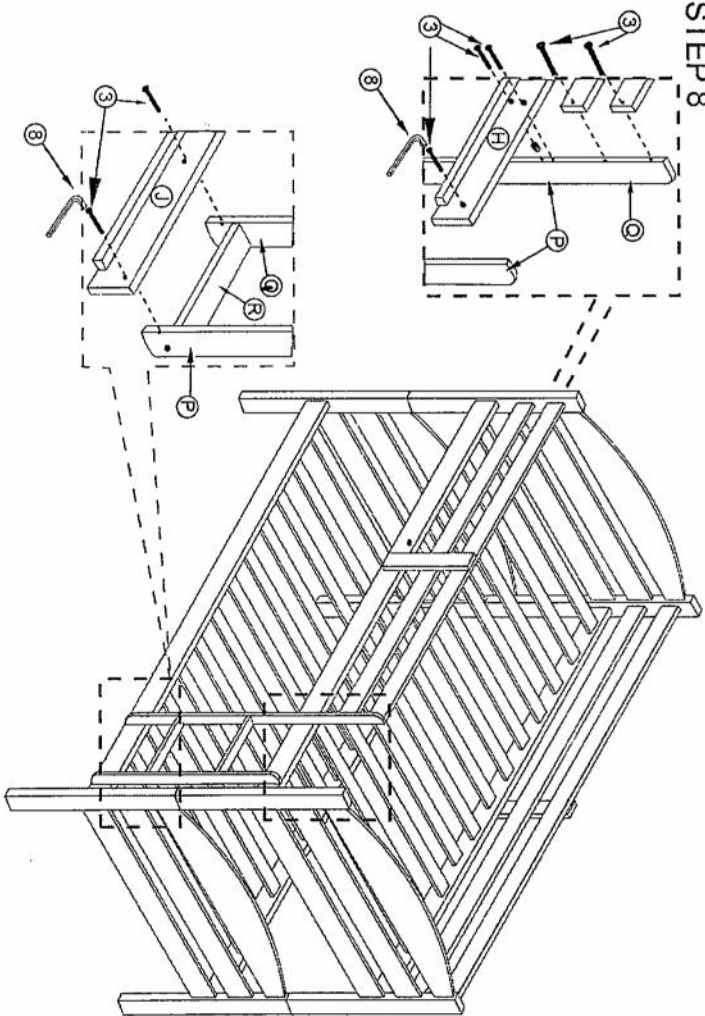
STEP 6



STEP 7



STEP 8



COMPLETE ASSEMBLY

