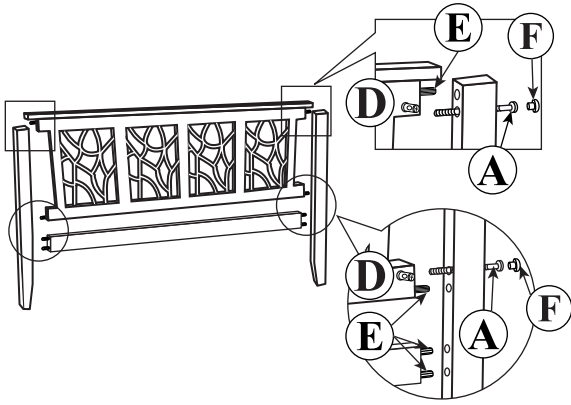


SW 8019 - F / Q / K

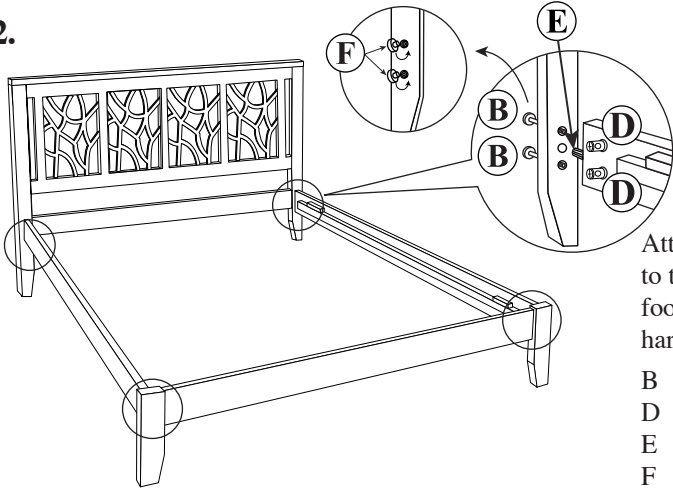
1.



Attach the headboard post (P1) to the headboard (P2). You will need to use hardware :

- A = 4pcs
- D = 4pcs
- E = 8pcs
- F = 4pcs

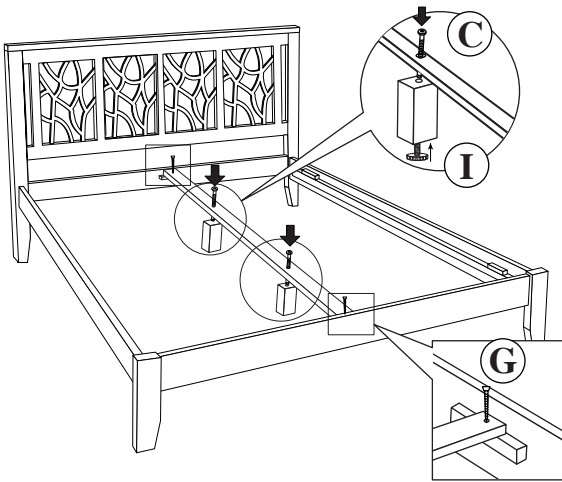
2.



Attach the side rail (P3) to the headboard (P2) and footboard (P4) using hardware :

- B = 8pcs
- D = 8pcs
- E = 4pcs
- F = 8pcs

3.



Fix the adjuster (I) to the support leg (P6) using hardware :

- I = 2pcs

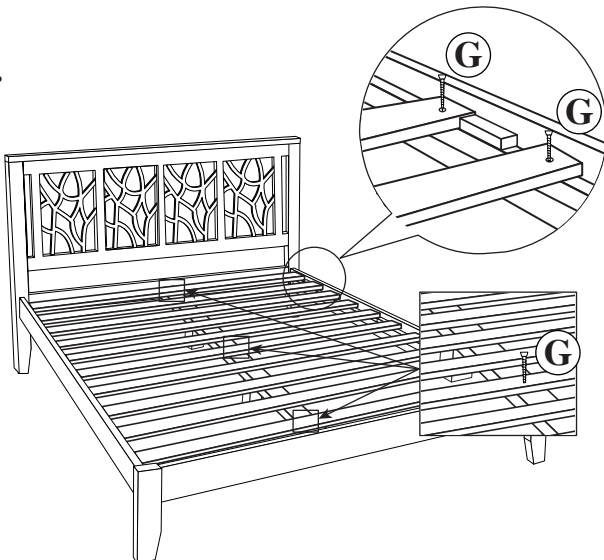
Attach the support legs (P6) to the centre rail (P5) using hardware :

- C = 2pcs

Attach the centre rail (P5) to the headboard (P2) and footboard (P4) using hardware :

- G = 2pcs

4.



Lay the slats (P7) between the side rail (P3) using hardware :

- G = 28pcs (F)
- or
- G = 30pcs (Q/K)






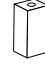

Attach the slats (P7) to the centre rail (P5) using hardware :

- G = 3pcs







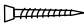


WARNING!!

- Remove hardware from box and sort by size.
- Please check to see that hardware and parts are present prior start of assembly.
- Please follow attached instruction in the same sequence numbered to ensure fast and easy assembly.
- Do not use this bed if any part is broken, torn or missing.
- The assembly of this product requires two people.
- Do not use any power tools as this may damage the frame and will invalidate any claim.

PART LIST

P1		Headboard Post = 2pcs
P2		Headboard = 1pcs
P3		Side Rail = 2pcs
P4		Footboard = 1pcs
P5		Centre Rail = 1pcs
P6		Support leg = 2pcs
P7		Bed Slats (F) = 14pcs Bed Slats (Q/K) = 15pcs

HARDWARE LIST

A		M6 x 100mm JCBC	4pcs
B		M6 x 70mm JCBC	8pcs
C		M6 x 50mm JCBC	2pcs
D		BARREL NUT	12pcs
E		Ø8 x 35mm WOOD DOWEL	12pcs
F		WOODEN PLUG	12pcs
G		M4 X 25mm SCREW (F) M4 X 25mm SCREW (Q/K)	33pcs 35pcs
H		ALLEN KEY M4	1pcs
I		ADJUSTER	2pcs

