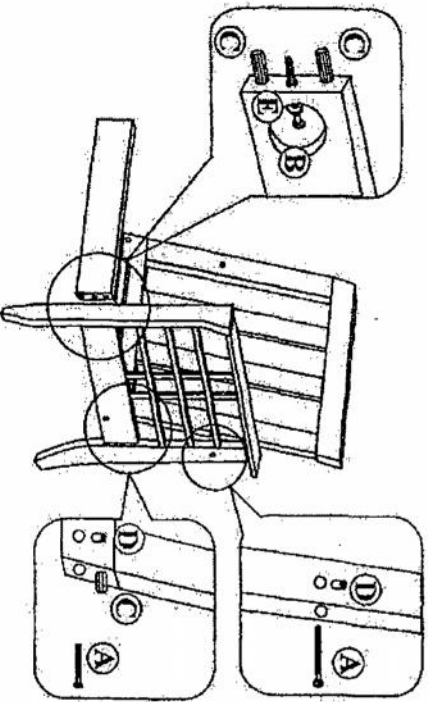


# ASSEMBLY INSTRUCTION

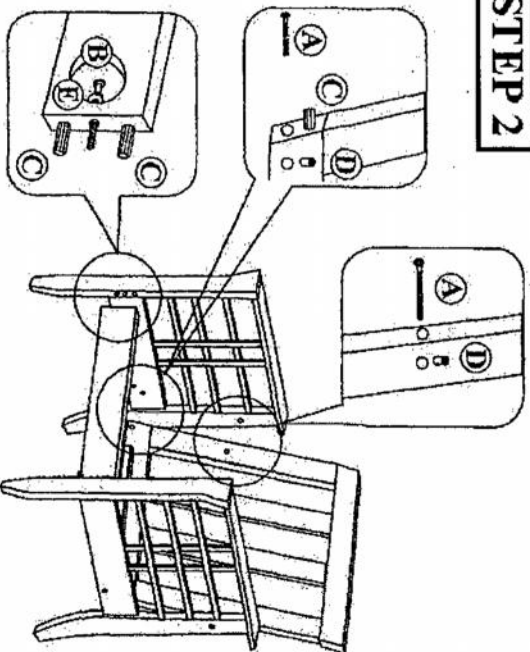
## MODEL : SW 5218

When doing assembly, kindly follow this Assembly Instruction step by step. Also, please do NOT tighten-up screws until the chair is set up BALANCE!

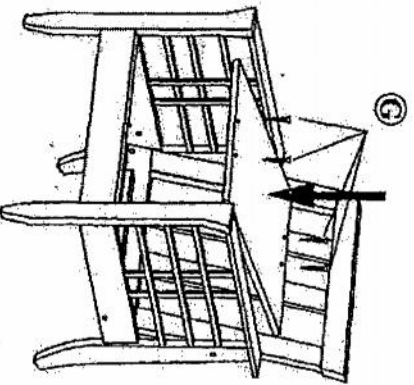
### STEP 1



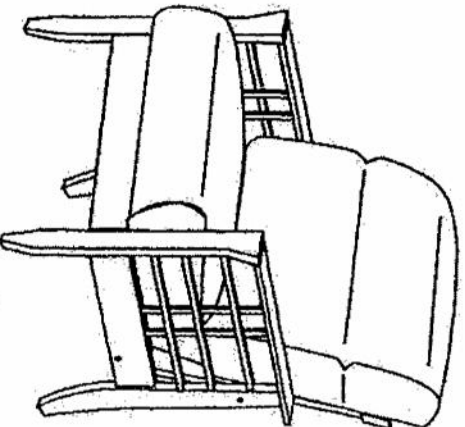
### STEP 2



### STEP 3



### FULLY SET UP



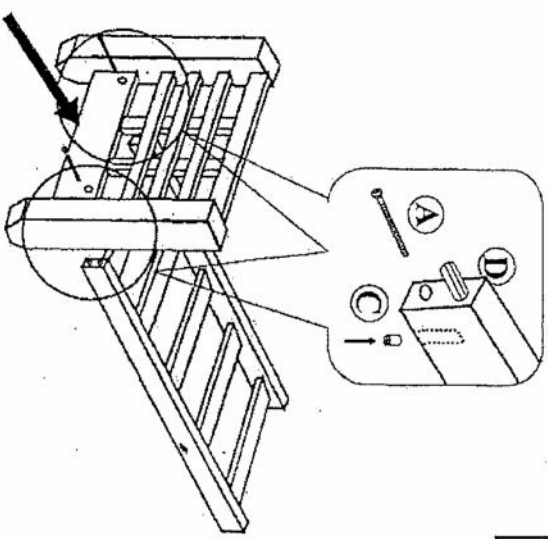
#### HARDWARE LIST

NO	DESCRIPTION	QTY
A	M6 x 60MM JCB	4 PCS
B	M6 x 50MM JCB	2 PCS
C	8 x 35MM WOOD DOWEL	6 PCS
D	BARREL NUT	4 PCS
E	U WASHER	2 PCS
F	ALLEN KEY	1 PCS
G	M4 x 25MM SCREW	1 SEATER 2 SEATER 3 SEATER 4 PCS

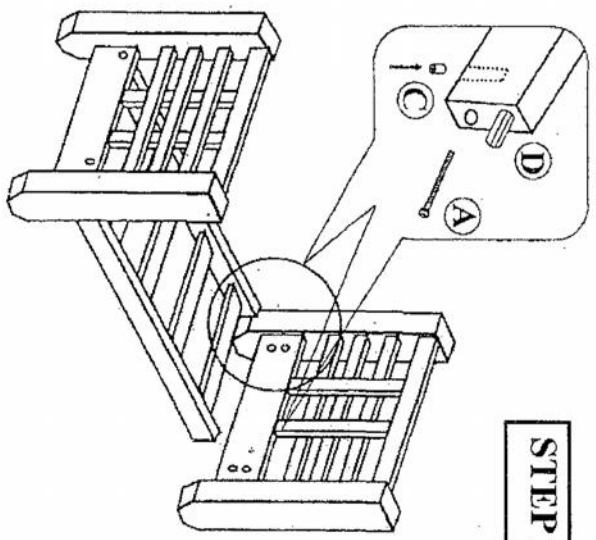
# ASSEMBLY INSTRUCTION

# MODEL : SW 5218 TABLE

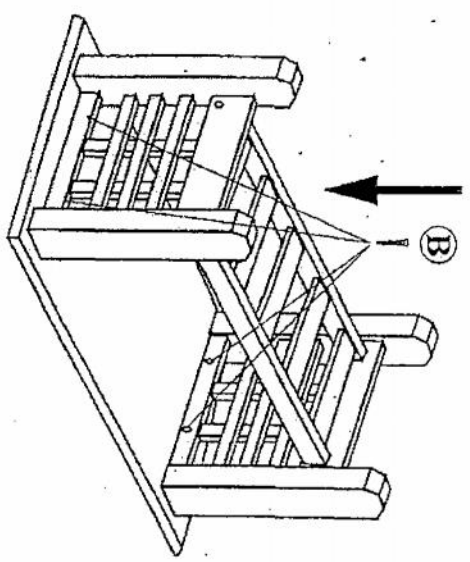
When doing assembly, kindly follow this Assembly Instruction step by step. Also, please do NOT tighten-up screws until the table is set up BALANCE!



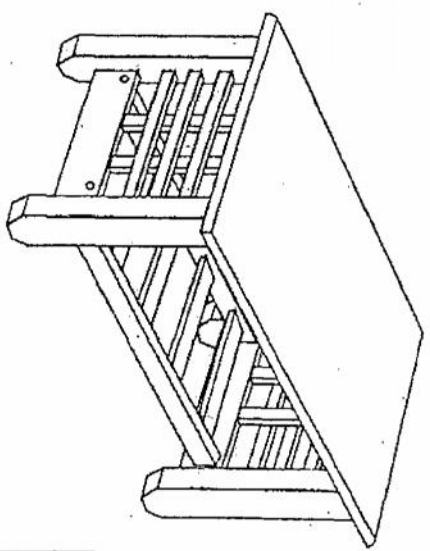
**STEP 1**



**STEP 2**



**STEP 3**



**FULLY SET UP**

## HARDWARE LIST

NO	DESCRIPTION	QTY
A	M6 x 50MM JCBC	4 PCS
B	M4 x 25MM SCREW	4 PCS
C	BARREL NUT	4 PCS
D	8 x 35MM WOOD DOWEL	4 PCS
E	ALLEN KEY	1 PCS