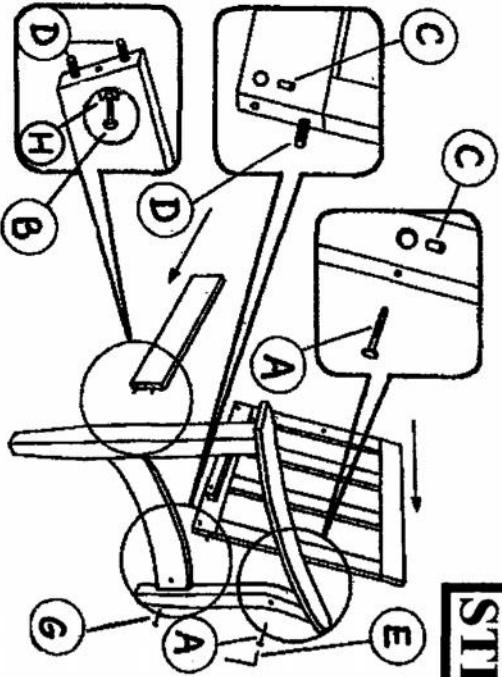


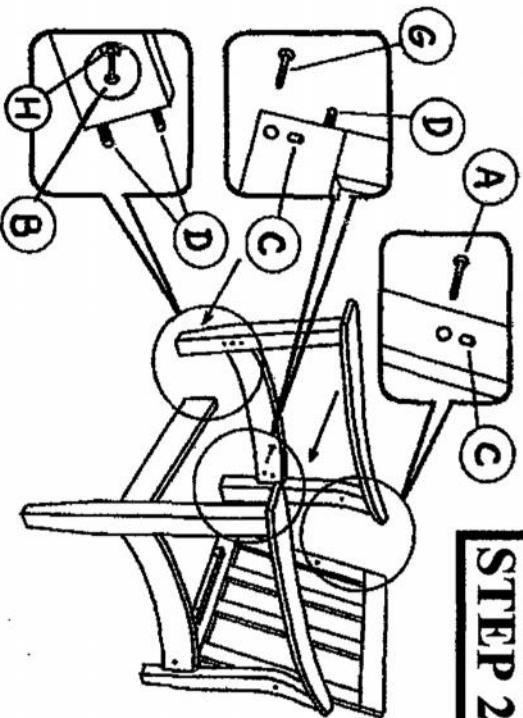
ASSEMBLY INSTRUCTION

MODEL : SW 3656

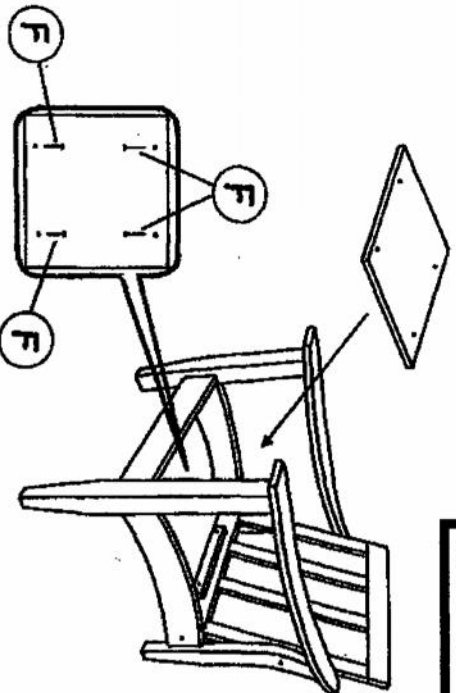
When doing assembly, kindly follow this Assembly Instruction step by step. Also, please do NOT tighten-up screws until the chair is set up BALANCE!



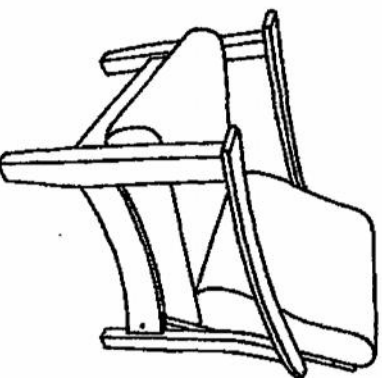
STEP 1



STEP 2



STEP 3








FULLY SET UP

NO	HARDWARE LIST	DESCRIPTION	QTY
A	M6 x 70MM JCBC		2 PCS
B	M6 x 50MM JCBC		2 PCS
C	BARREL NUT		4 PCS
D	8 x 35MM WOOD DOWEL		6 PCS
E	ALLEN KEY		1 PCS
F	M4 x 25MM SCREW		12 PCS
G	M6 x 60MM JCBC		2 PCS
H	M6 x 25 U WASHER		2 PCS

ASSEMBLY INSTRUCTION

MODEL : SW 3656 TABLE

When doing assembly, kindly follow this Assembly Instruction step by step. Also, please do NOT tighten-up screws until the table is set up BALANCE!

NO	HARDWARE LIST DESCRIPTION	QTY
A	M6 x 50MM JCBC 	4 Pcs
B	BARREL NUT 	4 Pcs
C	8 x 35MM WOOD DOWEL 	4 Pcs
D	ALLEN KEY 	1 Pc
E	M4 x 25MM SCREW 	4 Pcs

