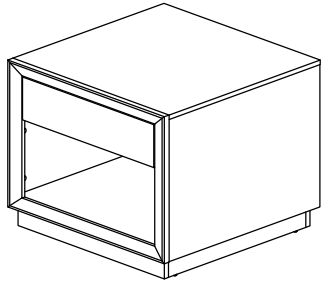


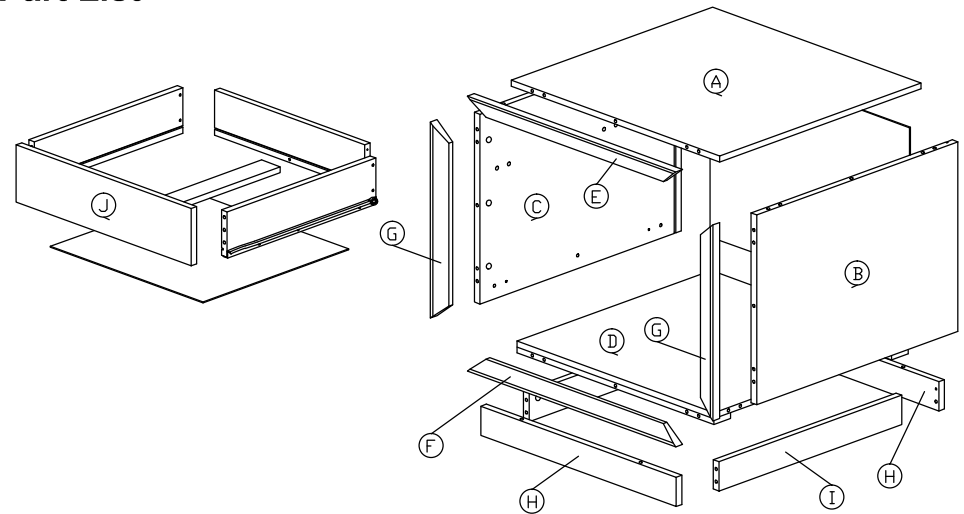
Assembly Instruction

Model : ST - 008

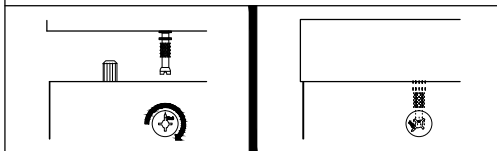


Hardware List			
No.	SHAPE	DESCRIPTION	Qty.
1		8x25mm Wood Dowel	32Pcs
2		M3.5x16mm Screw	22Pcs
3		M4x38mm Screw	5Pcs
4		15MM Titus Mini Fix	27Sets
5		15mm Minifix Cap	6Pcs
6		Drawer Slide 16" (400mm)	1Set
7		PVC Drawer Pin	4Pcs
8		Nail Leg	4Pcs
9		Z Bracket	2Pcs
10		L Bracket	4Pcs
11		Nail	4Pcs

Part List

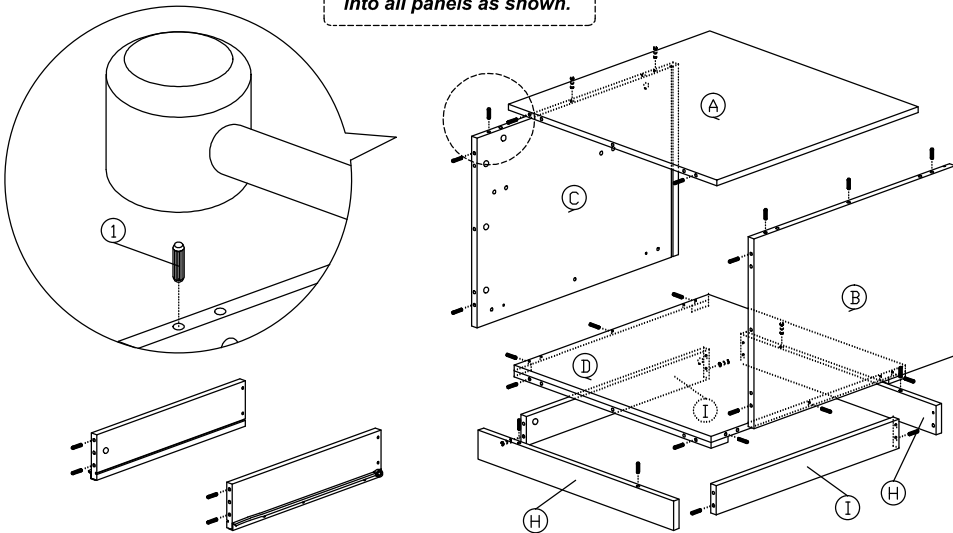


Dowel / Cam - Lock Installation



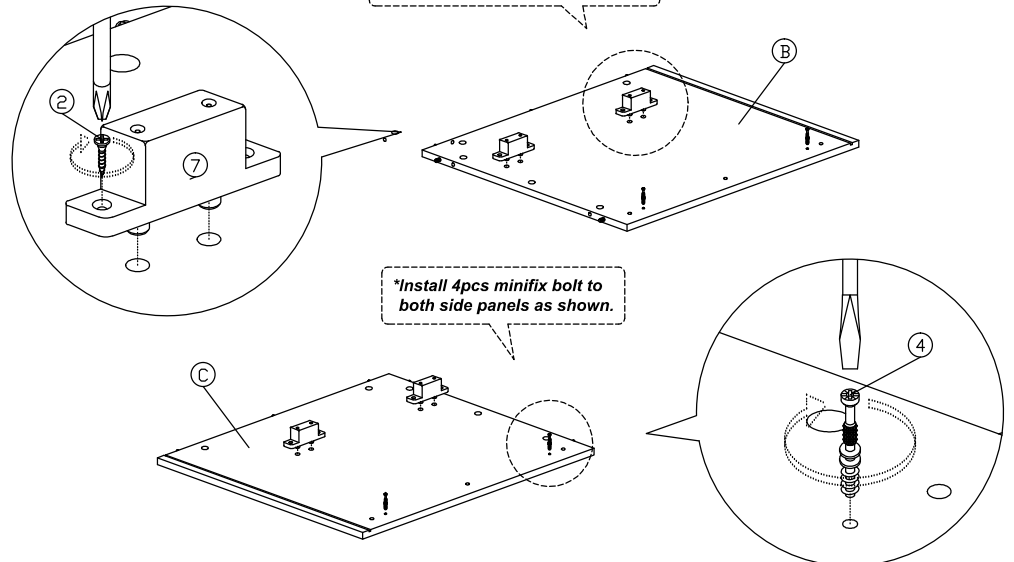
Step 1

*Install 32pcs Wood Dowel into all panels as shown.



Step 2

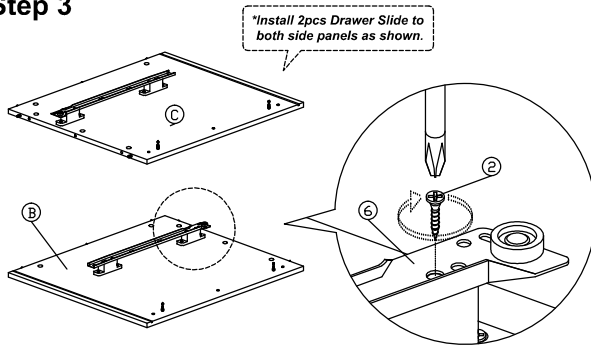
*Install 4pcs Drawer Pin to both side panels with screw as shown.



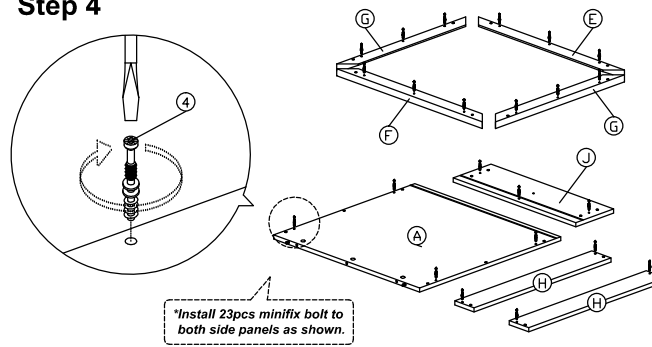
*Install 4pcs minifix bolt to both side panels as shown.

Assembly Instruction

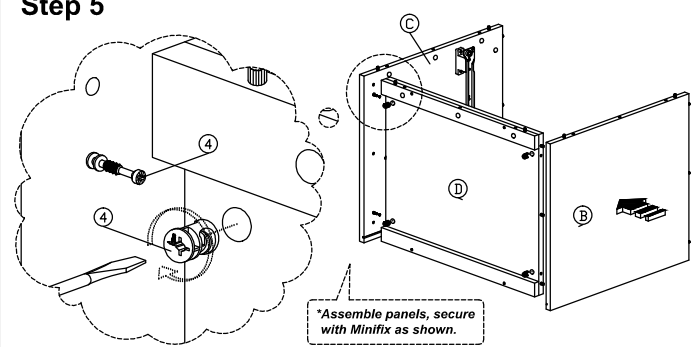
Step 3



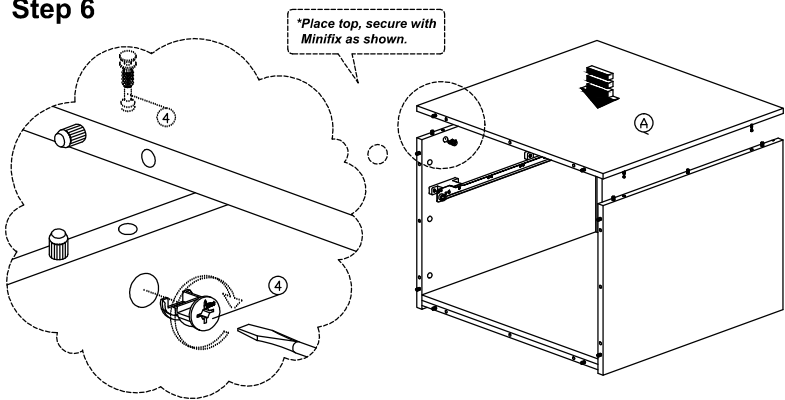
Step 4



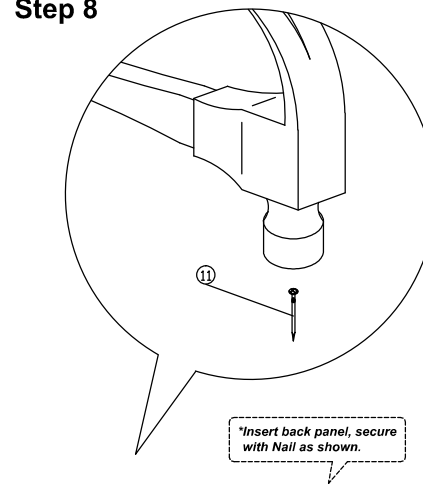
Step 5



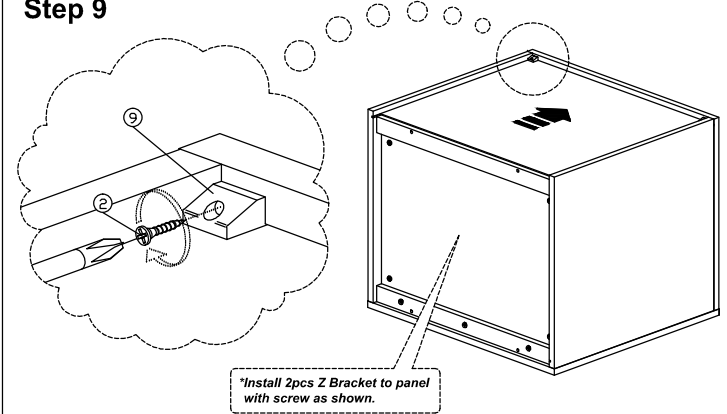
Step 6



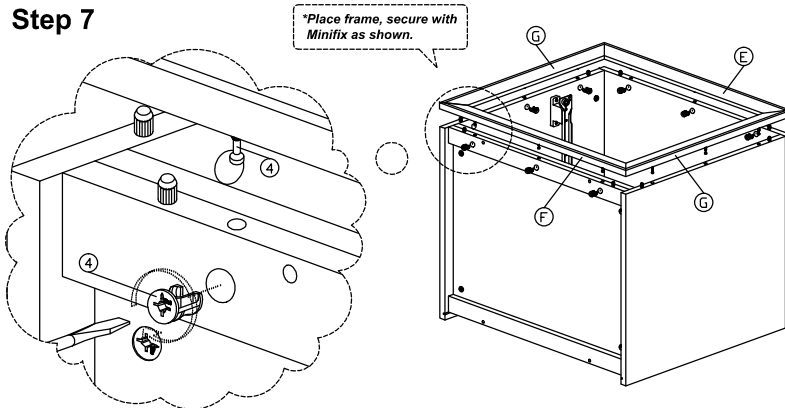
Step 8



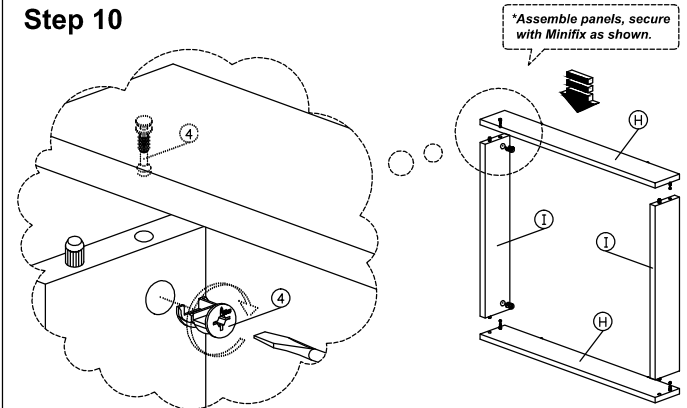
Step 9



Step 7

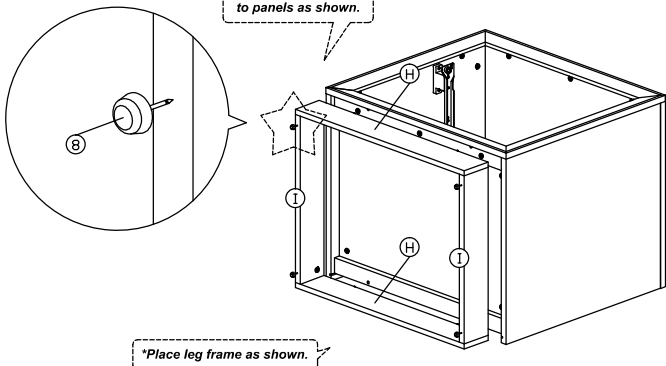


Step 10

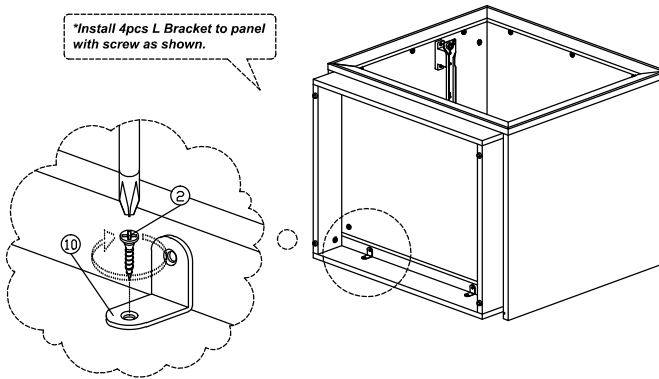


Assembly Instruction

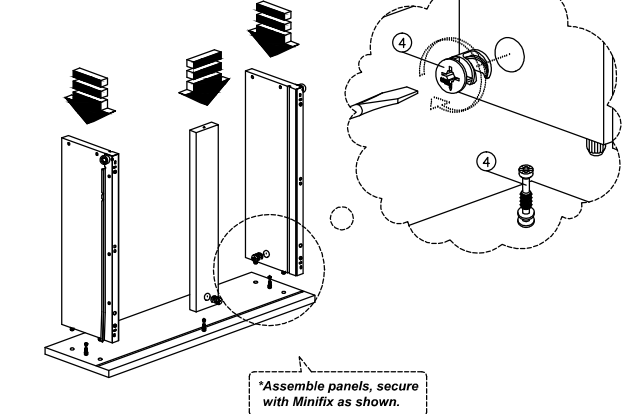
Step 11



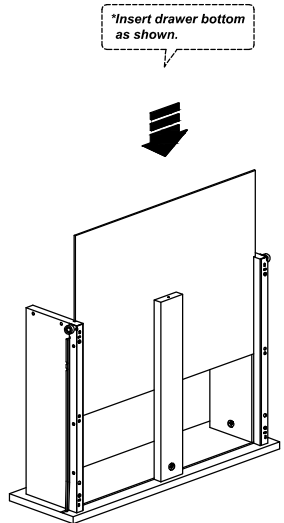
Step 12



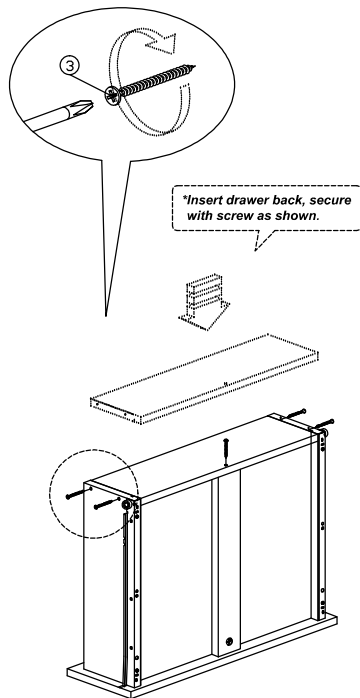
Step 13



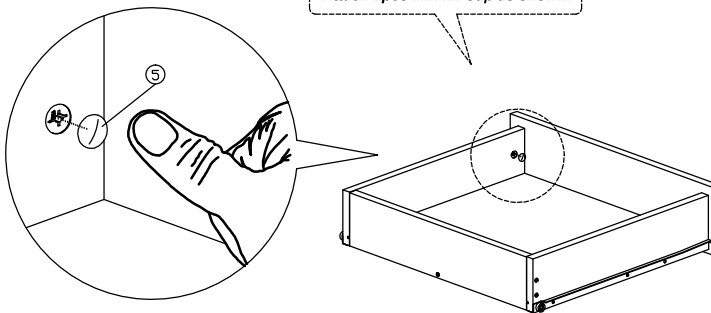
Step 14



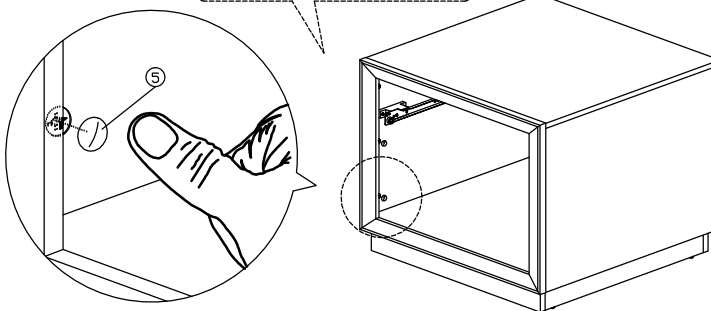
Step 15



Step 16



Step 17



Step 18

