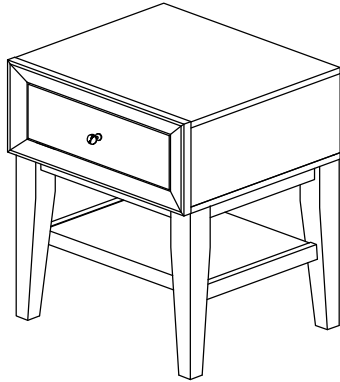


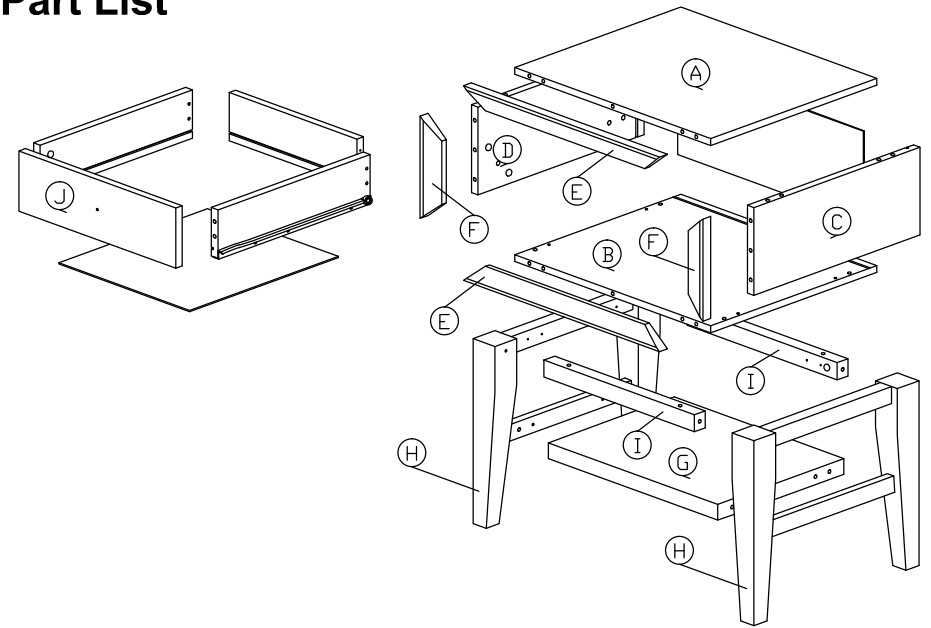
Assembly Instruction

Model : ST - 007

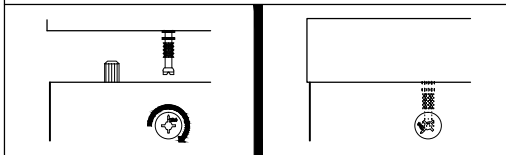


Hardware List			
No.	SHAPE	DESCRIPTION	Qty.
1		8x25mm Wood Dowel	28Pcs
2		M3.5x16mm Screw	38Pcs
3		M4x38mm Screw	4Pcs
4		15MM Titus Mini Fix	24Sets
5		15mm Minifix Cap	2Pcs
6		Drawer Slide 14" (350mm)	1Set
7		PVC Drawer Pin	4Pcs
8		Handle (2293) M4x20mm Handle Screw	1Set
9		Nail Leg	4Pcs
10		Z Bracket	2Pcs
11		L Bracket	4Pcs
12		Corner Bracket	4Pcs

Part List

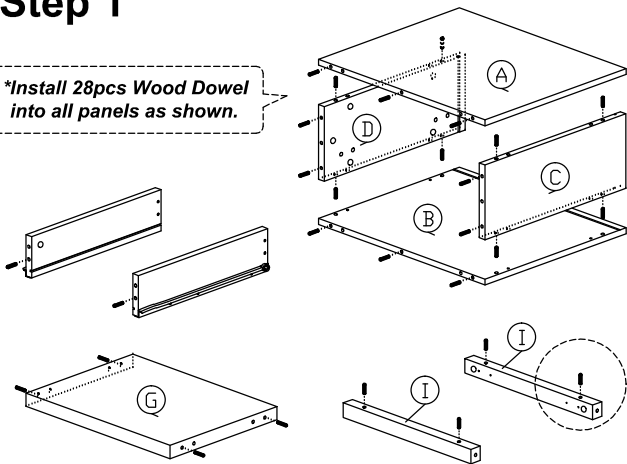


Dowel / Cam - Lock Installation



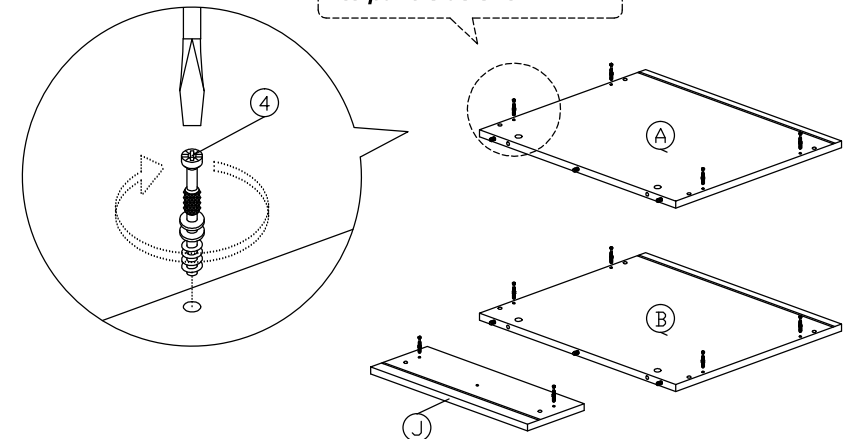
Step 1

*Install 28pcs Wood Dowel into all panels as shown.



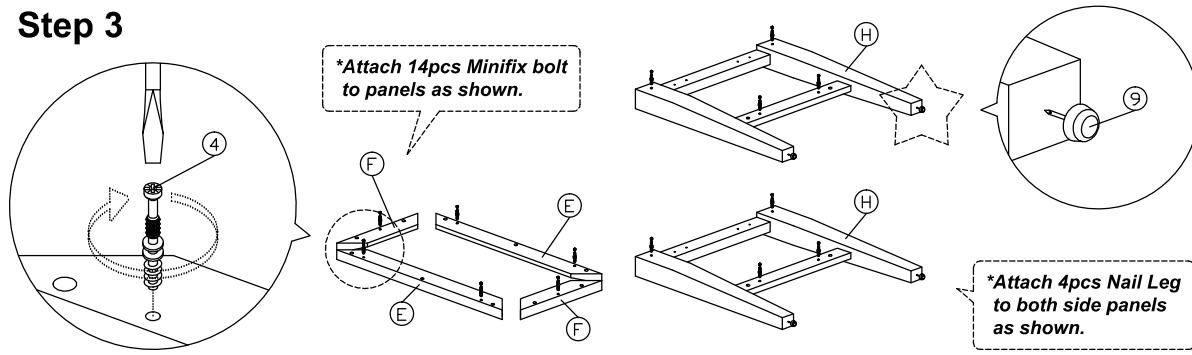
Step 2

*Attach 10pcs Minifix bolt to panels as shown.

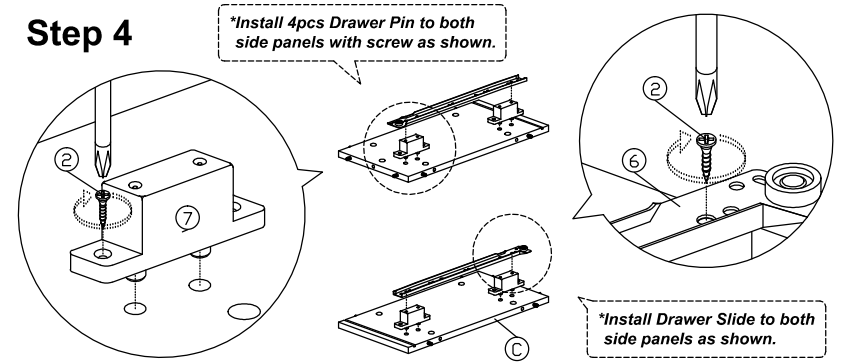


Assembly Instruction

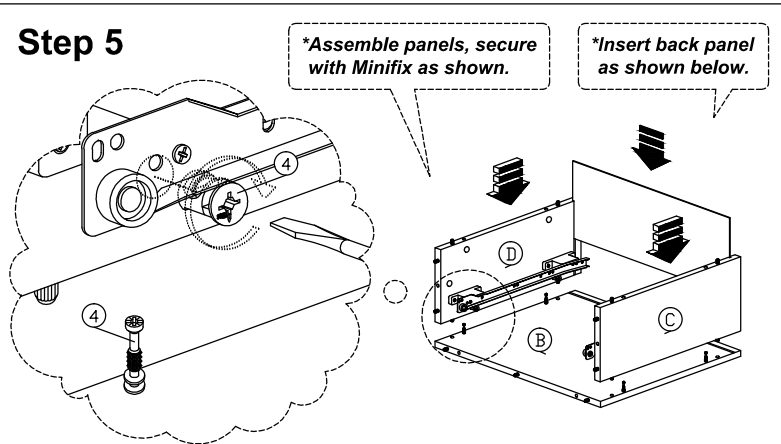
Step 3



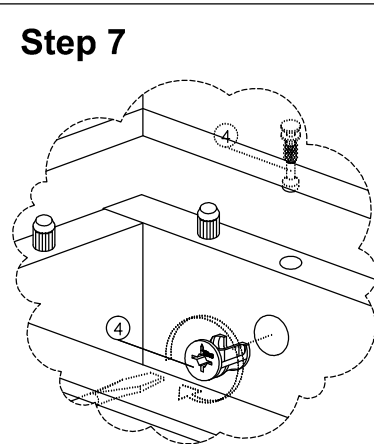
Step 4



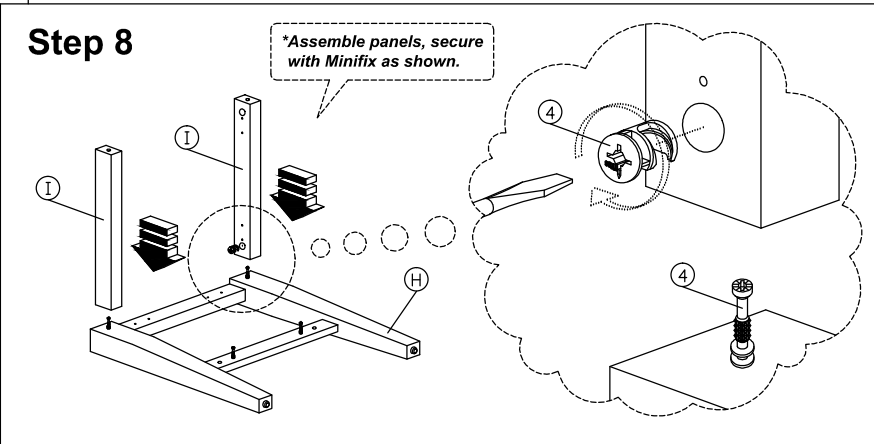
Step 5



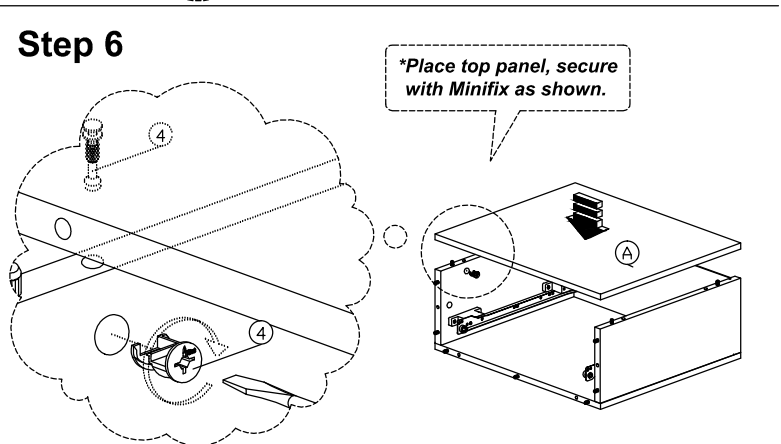
Step 7



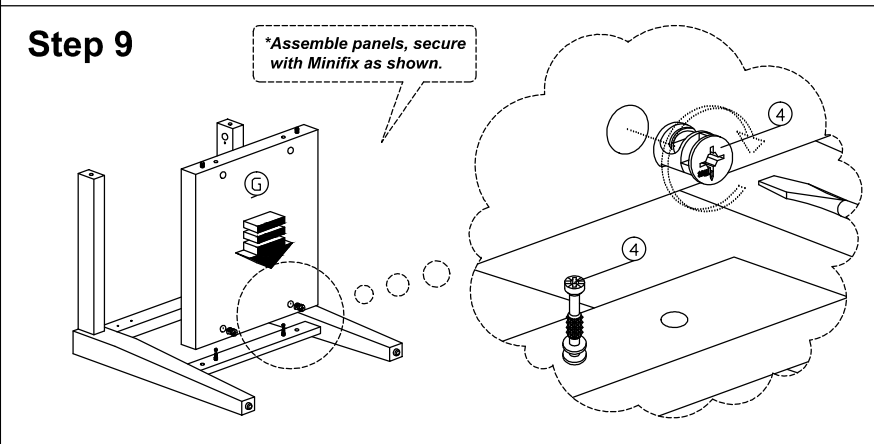
Step 8



Step 6

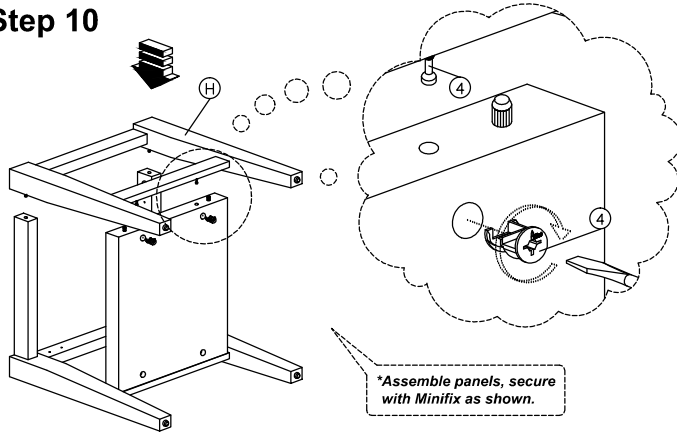


Step 9

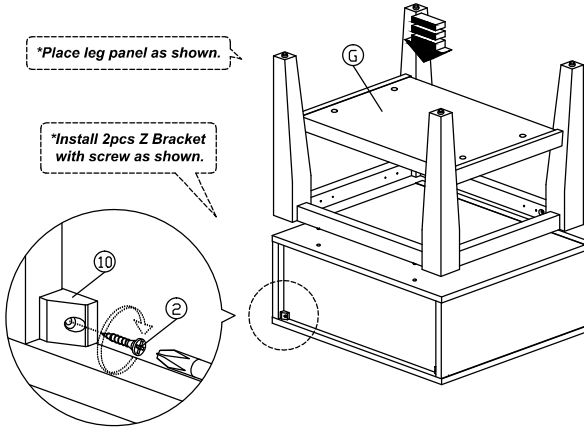


Assembly Instruction

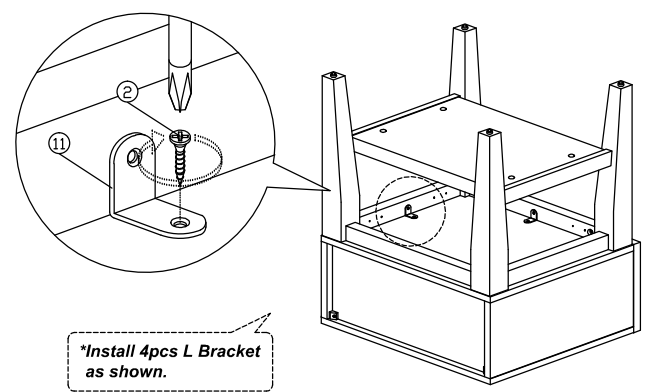
Step 10



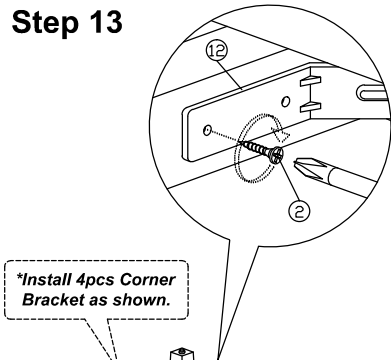
Step 11



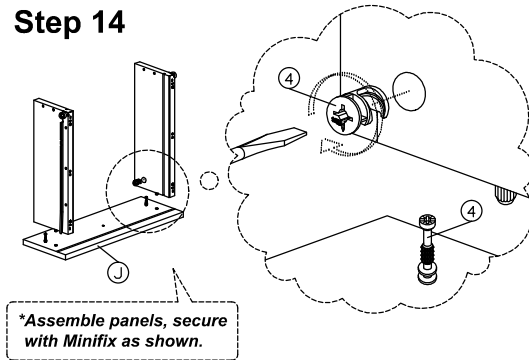
Step 12



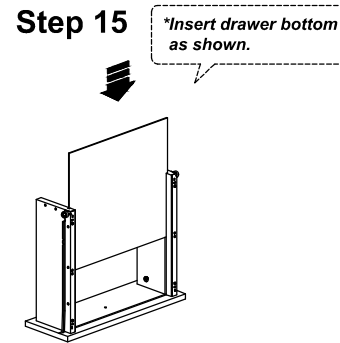
Step 13



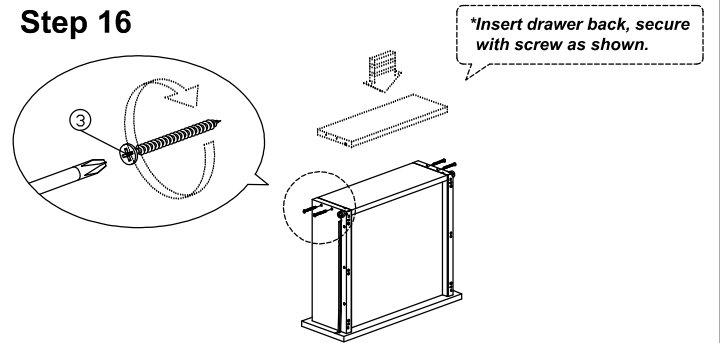
Step 14



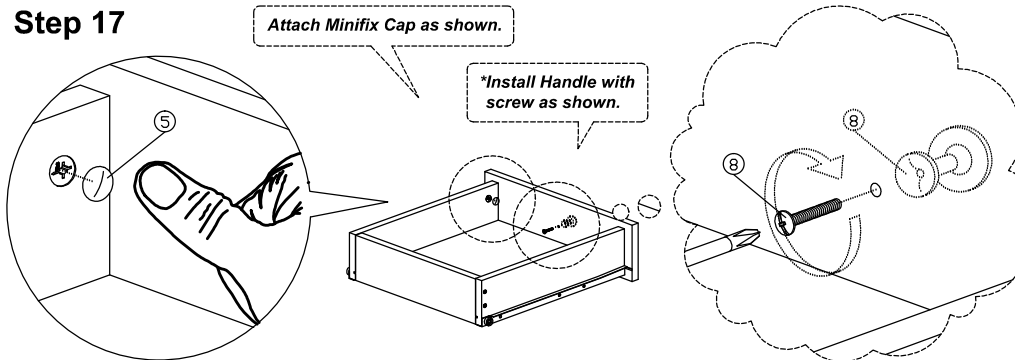
Step 15



Step 16



Step 17



Step 18

