

MODEL NAME:

ST 2847-00

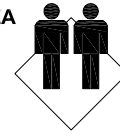
1.0hr

APPROXIMATE ASSEMBLY TIME

1 PERSON OF ASSEMBLY

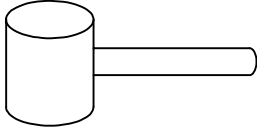


FLOOR AREA
1.0M X 1.0M

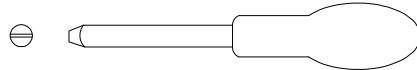


REQUIRED ASSEMBLY SPACE

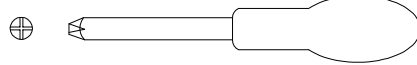
REQUIRED ASSEMBLY TOOLS



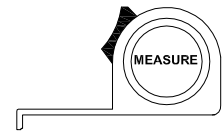
SOFT RUBBER HAMMER



SLOTTED SCREWDRIVER

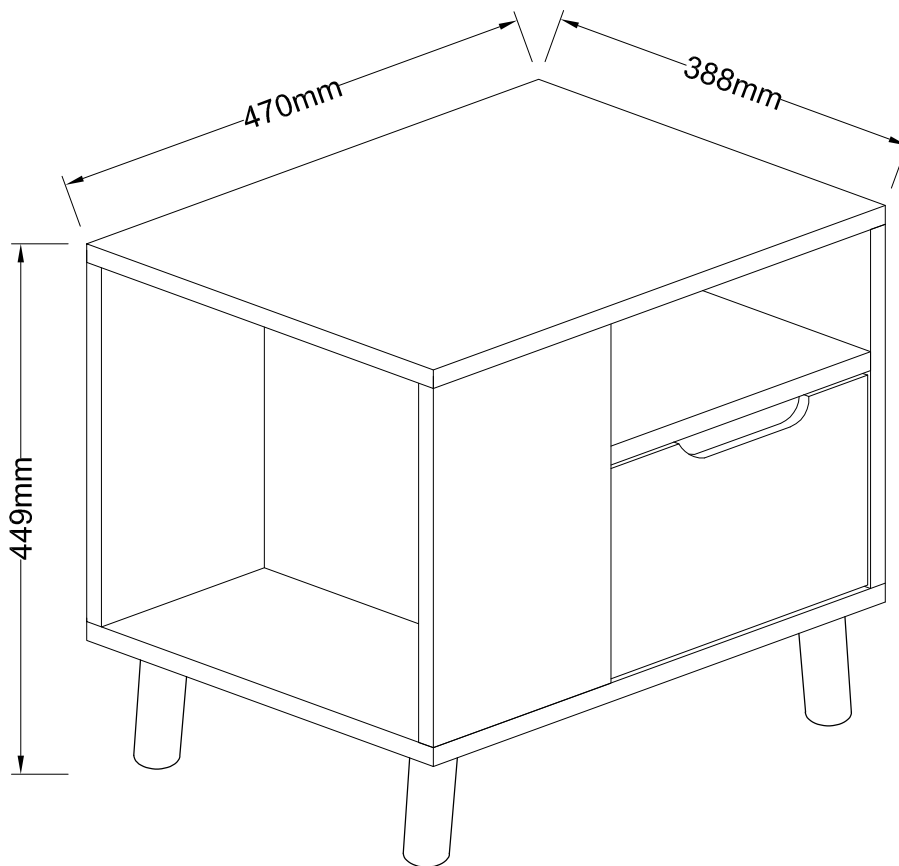


POZI SCREWDRIVER



MEASURING TAPE

ASSEMBLED DIMENSIONS



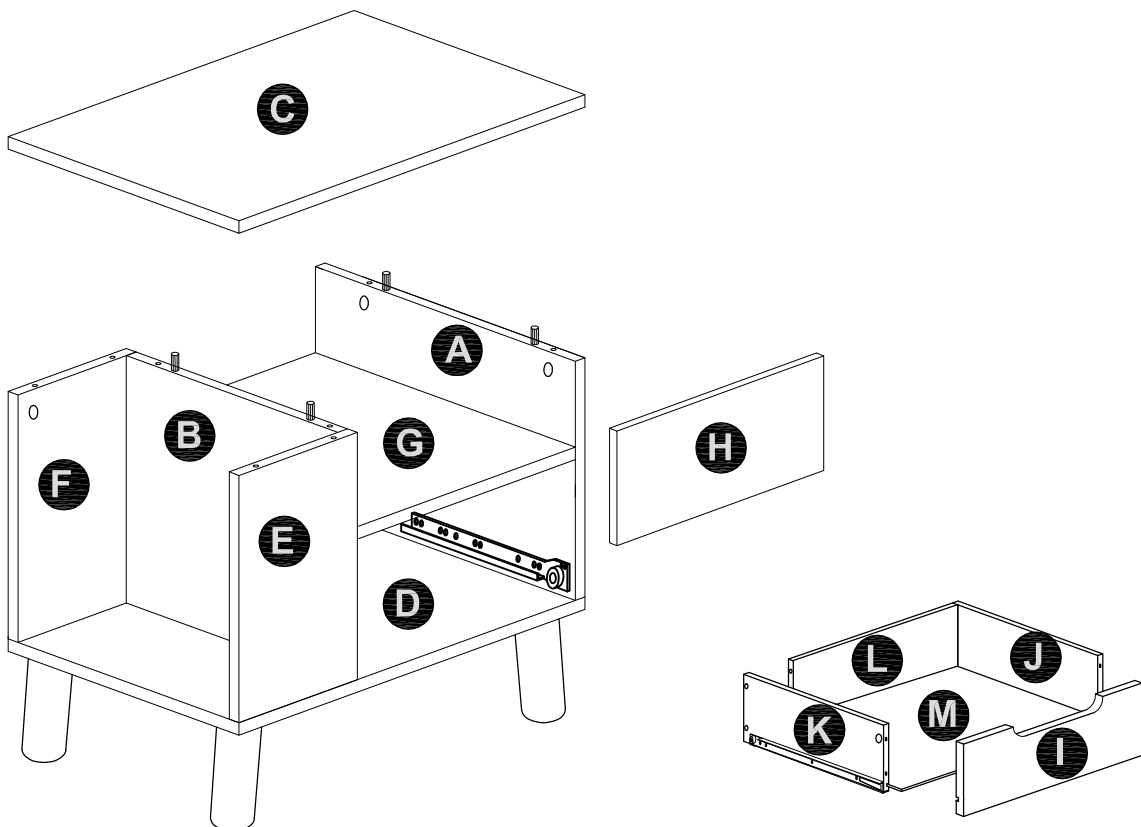
NOTE : THE MAXIMUM WEIGHT THIS PRODUCT CAN HOLD UP TO 25 KGS.

MODEL NAME:

ST 2847-00

NO.	PART LIST	QTY	NO.	PART LIST	QTY
(A)	RIGHT SIDE PANEL	1	(I)	DRAWER FRONT	1
(B)	LEFT SIDE PANEL	1	(J)	DRAWER RIGHT SIDE PANEL	1
(C)	TOP PANEL	1	(K)	DRAWER LEFT SIDE PANEL	1
(D)	BOTTOM PANEL	1	(L)	DRAWER BACK PANEL	1
(E)	SIDE PANEL(RIGHT)	1	(M)	DRAWER BASE	1
(F)	SIDE PANEL(LEFT)	1			
(G)	FIXED PANEL	1			
(H)	BACK SUPPORT	1			

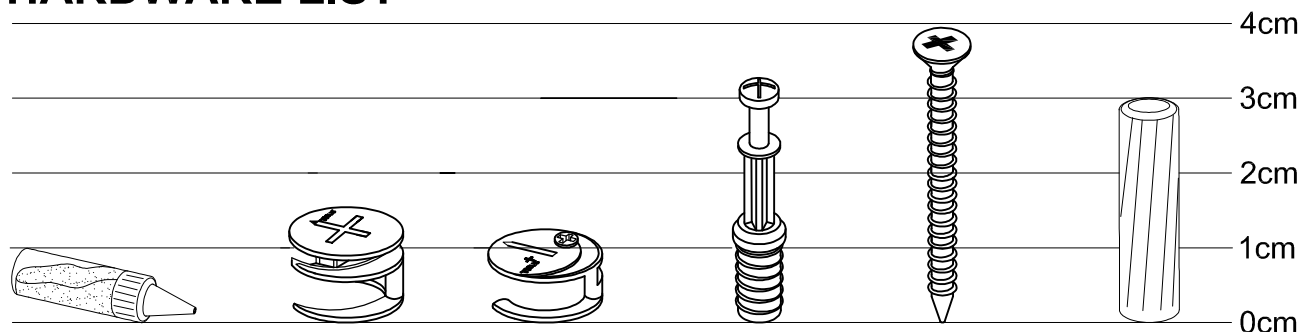
PARTS LIST



MODEL NAME:

ST 2847-00

HARDWARE LIST



1X
1
GLUE 10CC

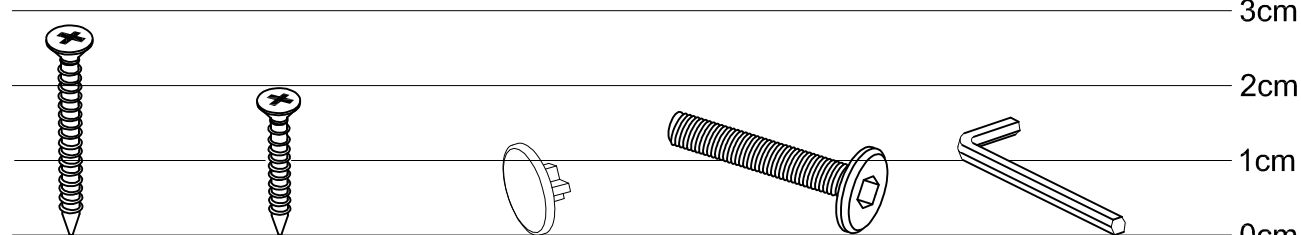
10X
Dia.15mm
2
LARGE
CAMLOCK

2X
Dia.15mm
3
DRAWER
CAMLOCK

12X
M6.5
4
QUICKFIT

8X
M8 x 38mm
5
FLAT HEAD
SCREW

20X
Dia.6 x 30mm
6
WOOD
DOWEL



4X
M3.5 x 25mm
7
FLAT HEAD
SCREW

6X
M4 x 30mm
8
FLAT HEAD
SCREW

6X
Dia 17mm
9
UNIVERSAL CAP
(OPTIONAL)

4X
M8 x 70mm
10
ALLEN HEAD
BOLT

1X
M5
11
ALLEN KEY

4X
5/16
12
SPRING
WASHER

4X
22 x 5/16
13
FLAT
WASHER

4X
14
Ø45- 160mm
LEG

1X
15
WOODEN FRAME

MODEL NAME:

ST 2847-00

Top Tips before you start!

1. Please check that all parts are present before you start the assembly of your furniture.
2. For ease and speed of assembly, we recommend that before you commence each step of the assembly, that you identify all the parts required for that step.
3. For larger items, please ensure that you have sufficient space and people (as indicated on page 1) to assemble your product safely
4. We recommend that, where possible, all items are assembled near to the area in which they will be placed in use, to avoid moving the product unnecessarily once assembled.
5. For the protection of your furniture, particularly items of high gloss finish, we recommend that the product is placed on a protected surface during assembly to prevent any damage.
6. Caution - Electric / Battery operated screw driver NOT RECOMMENDED.
7. During assembly please take care not to over-tighten any fittings, as this may damage the product.
8. Always place the product on a flat, steady and stable surface.
9. Do not sit or stand on the product.
Do not use the product as a stepladder.
10. This product is intended for indoor, household use only as it is non industrial product.
11. This product is constructed from re-inforced hollow board. Excessive pressure cause irreparable damage. Please do not kneel on any part of this product during assembly.

Care and Maintenance of your Furniture

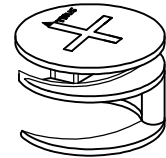
- Please periodically check all fittings and re-tighten as necessary.
- To clean your item, please use a damp cloth and wipe clean.
- Never allow any kind of liquid to remain on your furniture.
- Please do not place hot items (e.g. hot drinks) directly on to the wood surface.
- Please do not drag and pull your furniture.

MODEL NAME:

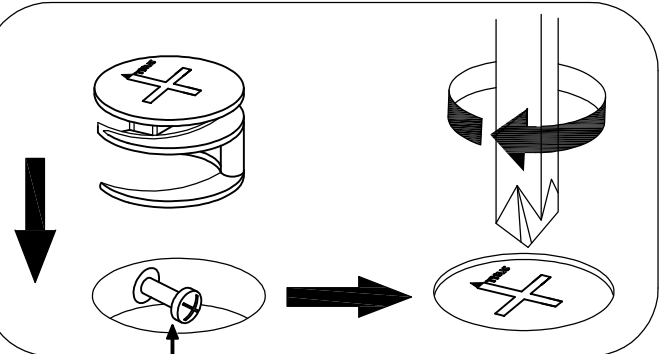
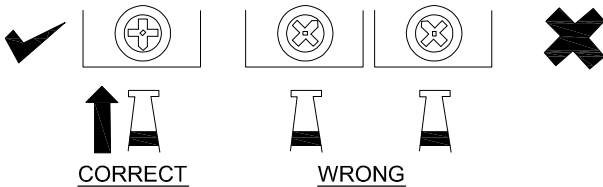
ST 2847-00

SPECIAL TIPS FOR FITTING CAM-LOCKS AND QUICKFIT

LARGE CAM-LOCK

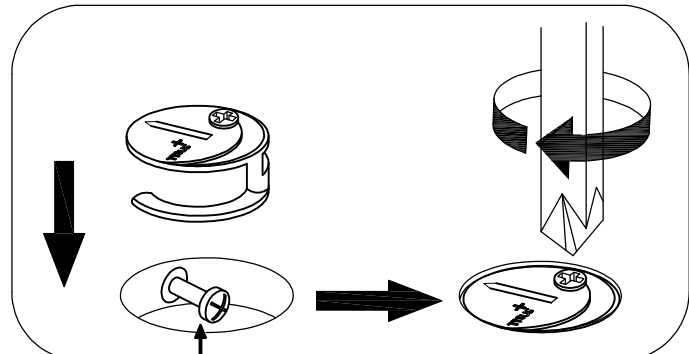


WHEN FITTING CAMLOCK
ENSURE STARTING POSITION IS CORRECT
BEFORE YOU INSERT CONNECTING QUICKFIT
TURN CLOCKWISE UNTIL SECURE



Quickfit head needs to be in centre

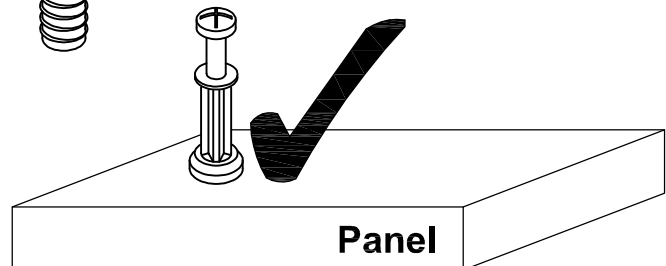
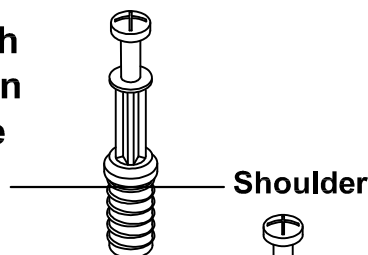
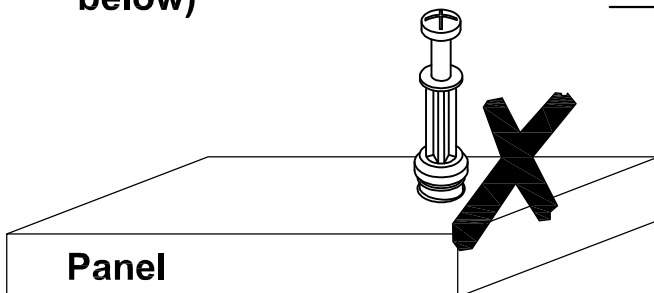
DRAWER CAM-LOCK



Quickfit head needs to be in centre

QUICKFIT

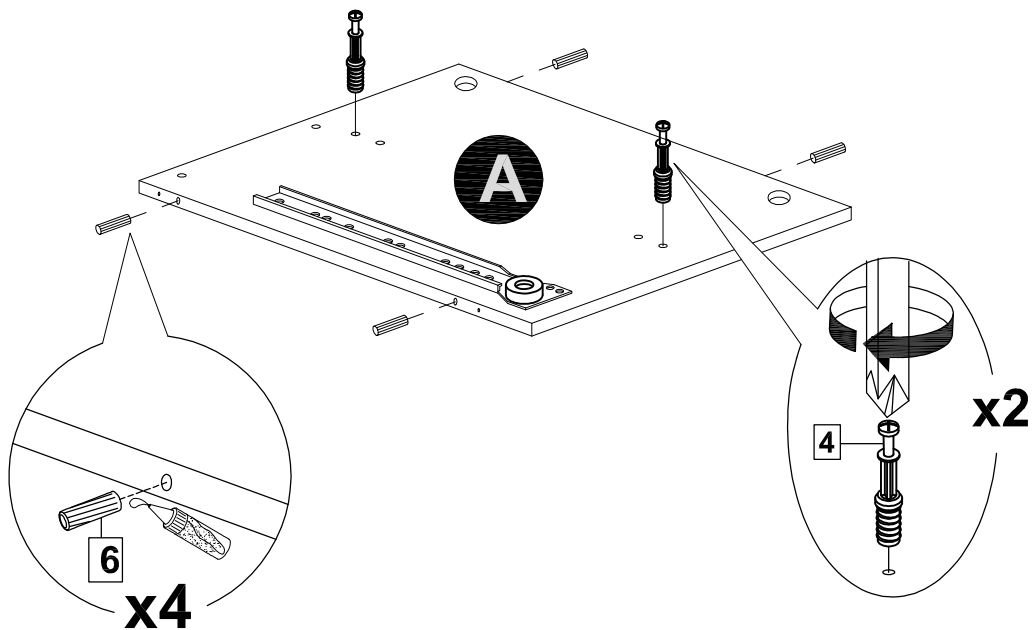
Tighten until shoulder is flush with panel. Do not overtighten or undertighten (see example below)



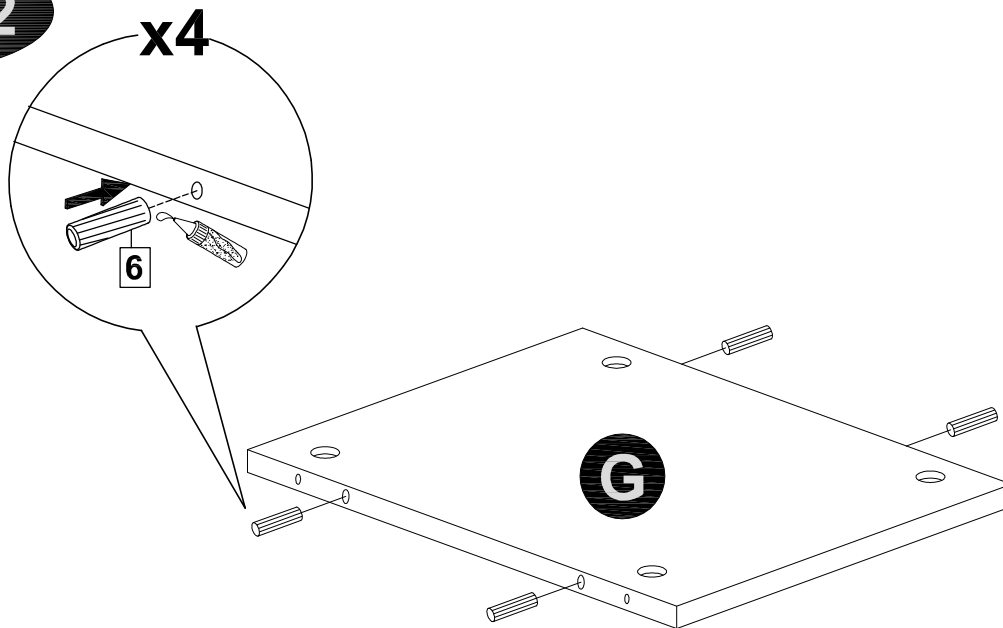
MODEL NAME:

ST 2847-00

STEP 1



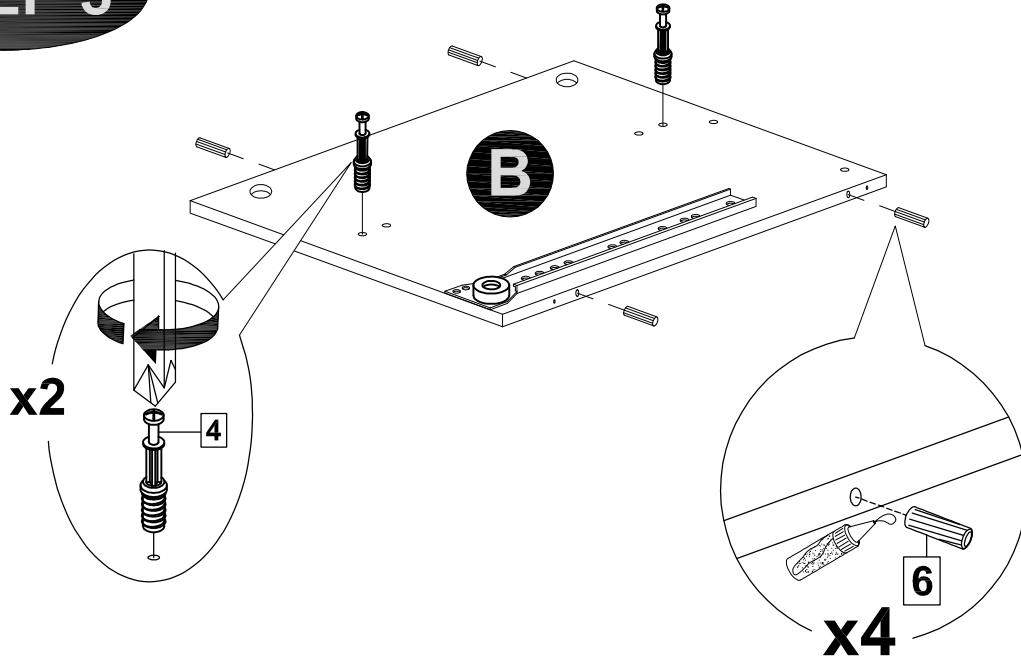
STEP 2



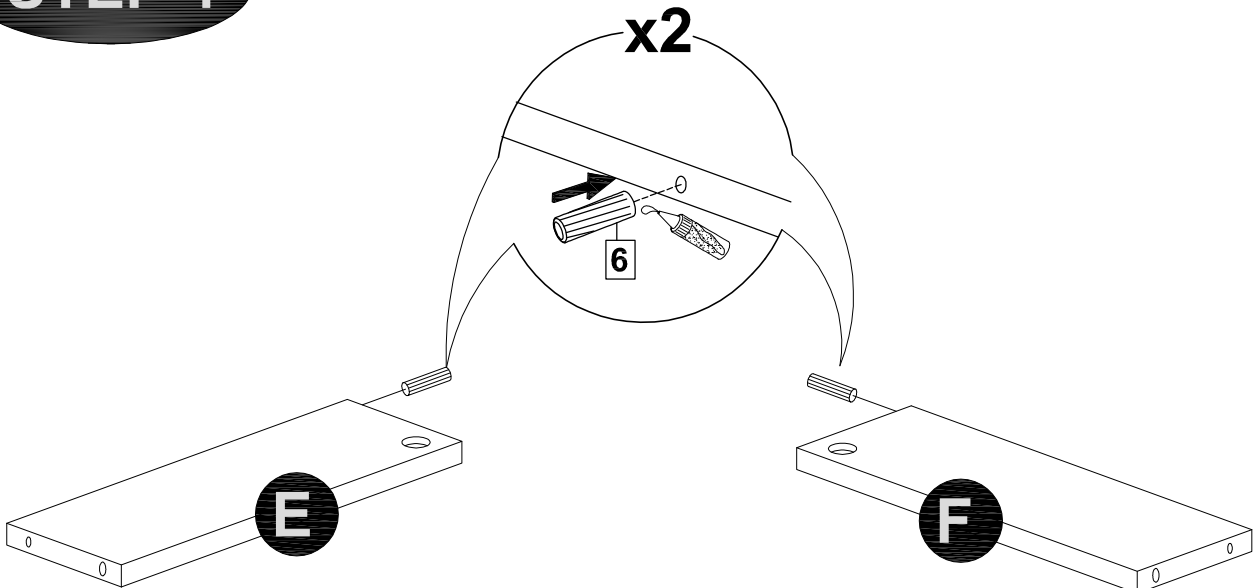
MODEL NAME:

ST 2847-00

STEP 3



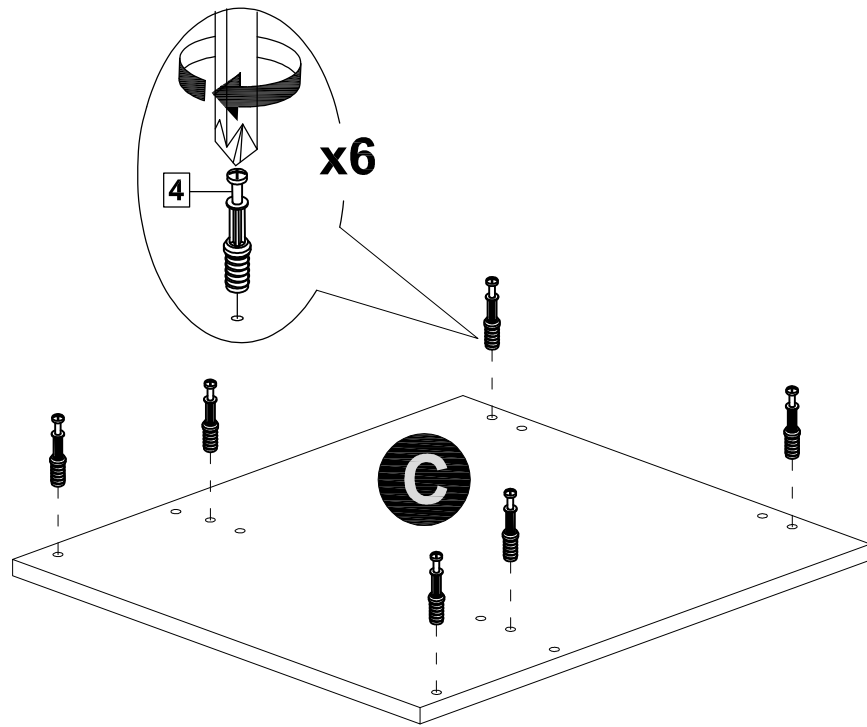
STEP 4



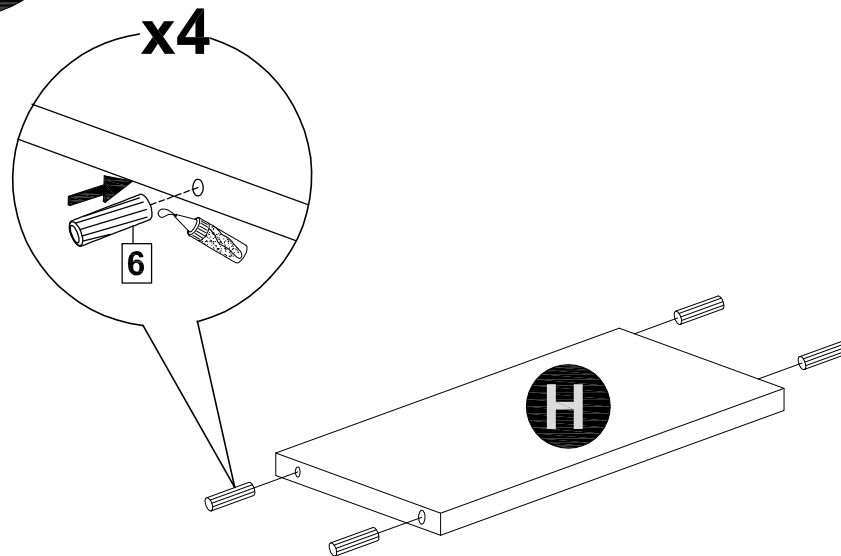
MODEL NAME:

ST 2847-00

STEP 5



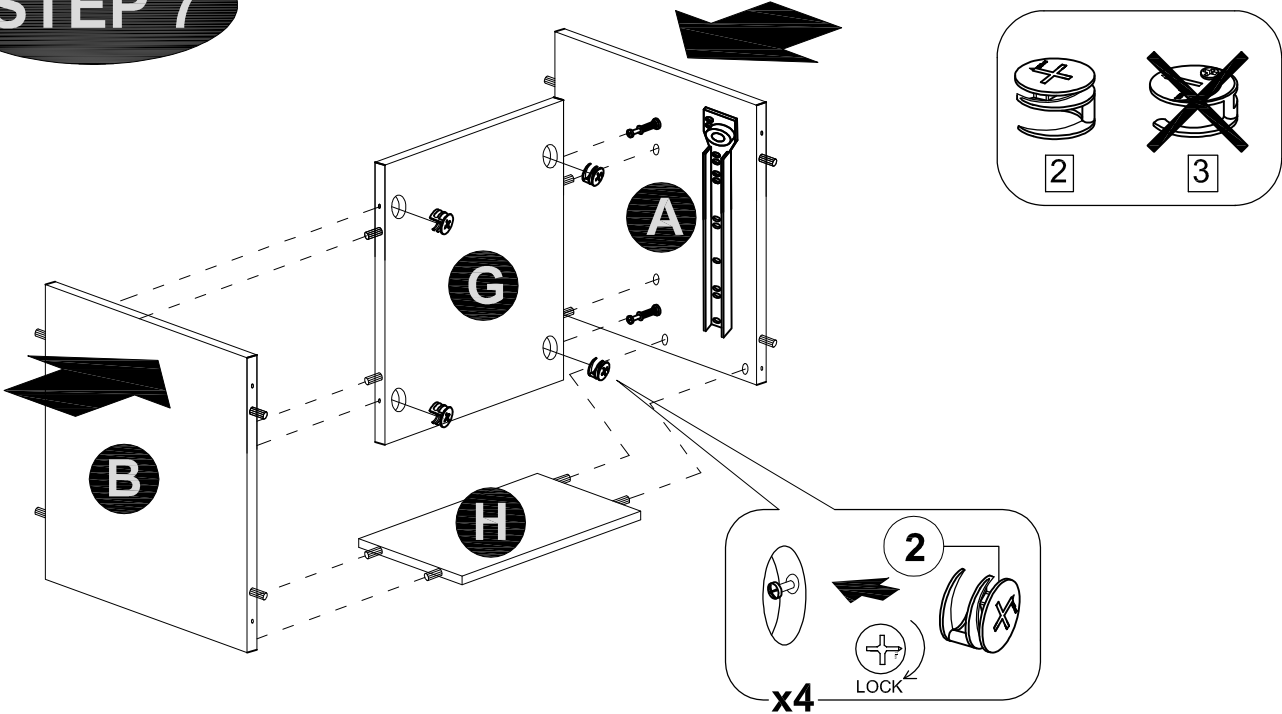
STEP 6



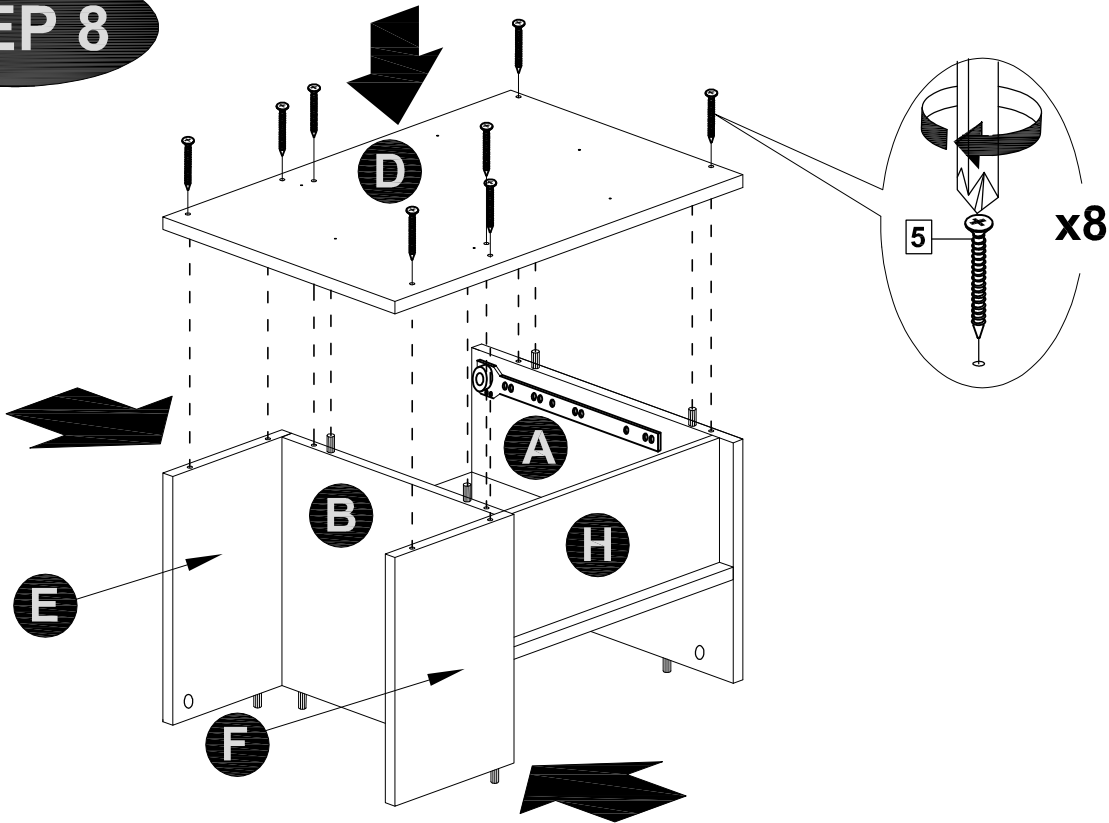
MODEL NAME:

ST 2847-00

STEP 7



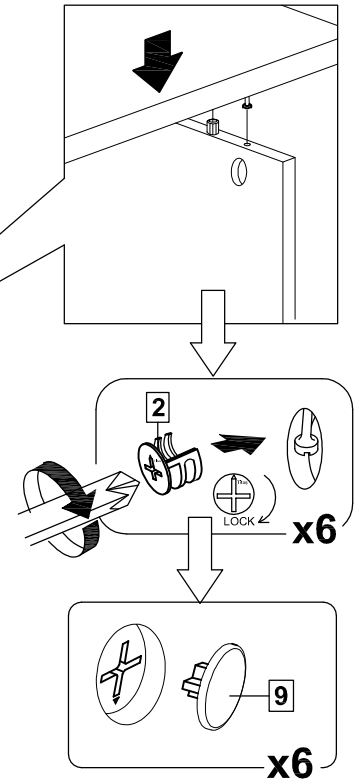
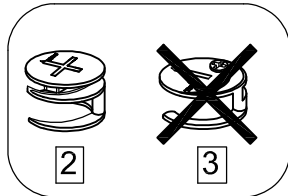
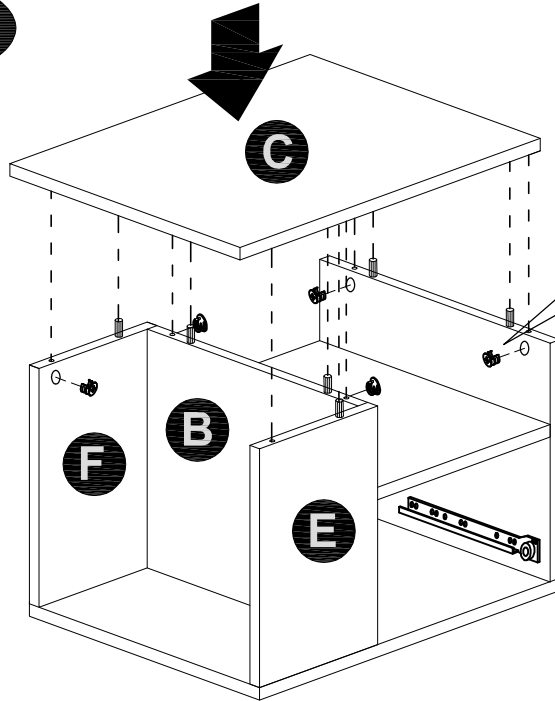
STEP 8



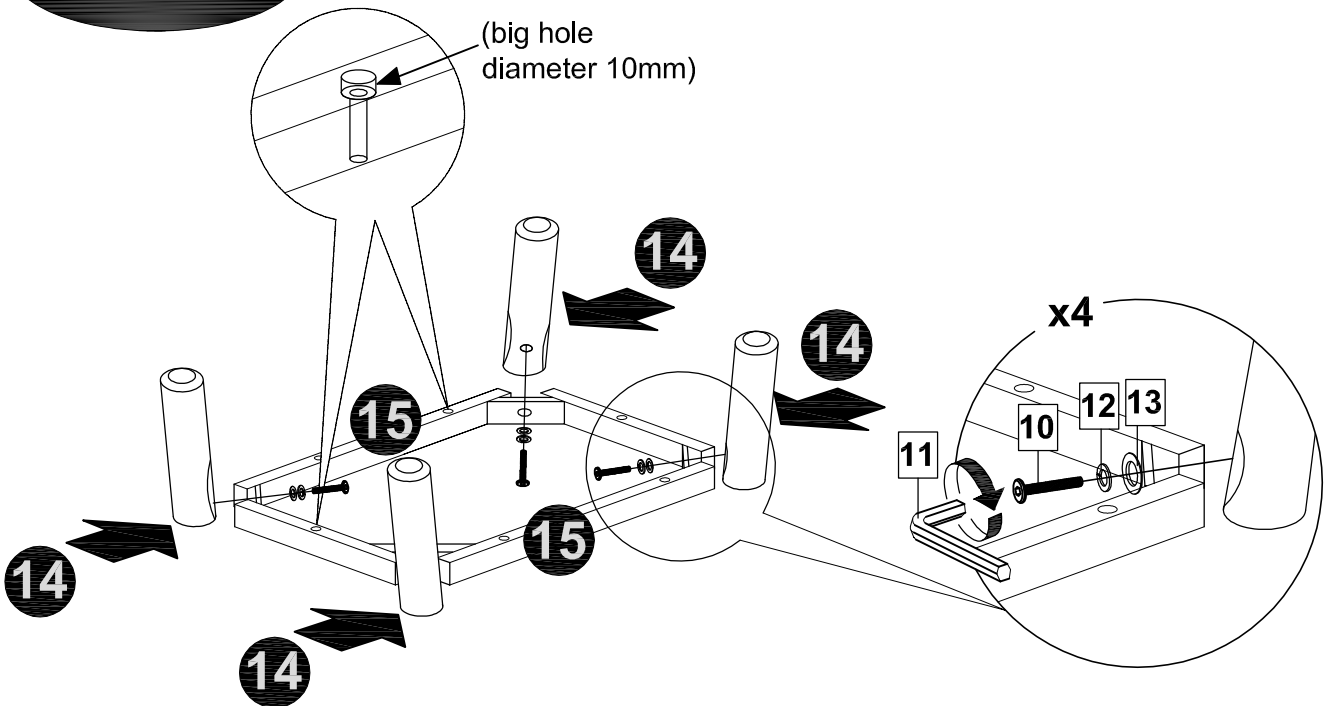
MODEL NAME:

ST 2847-00

STEP 9



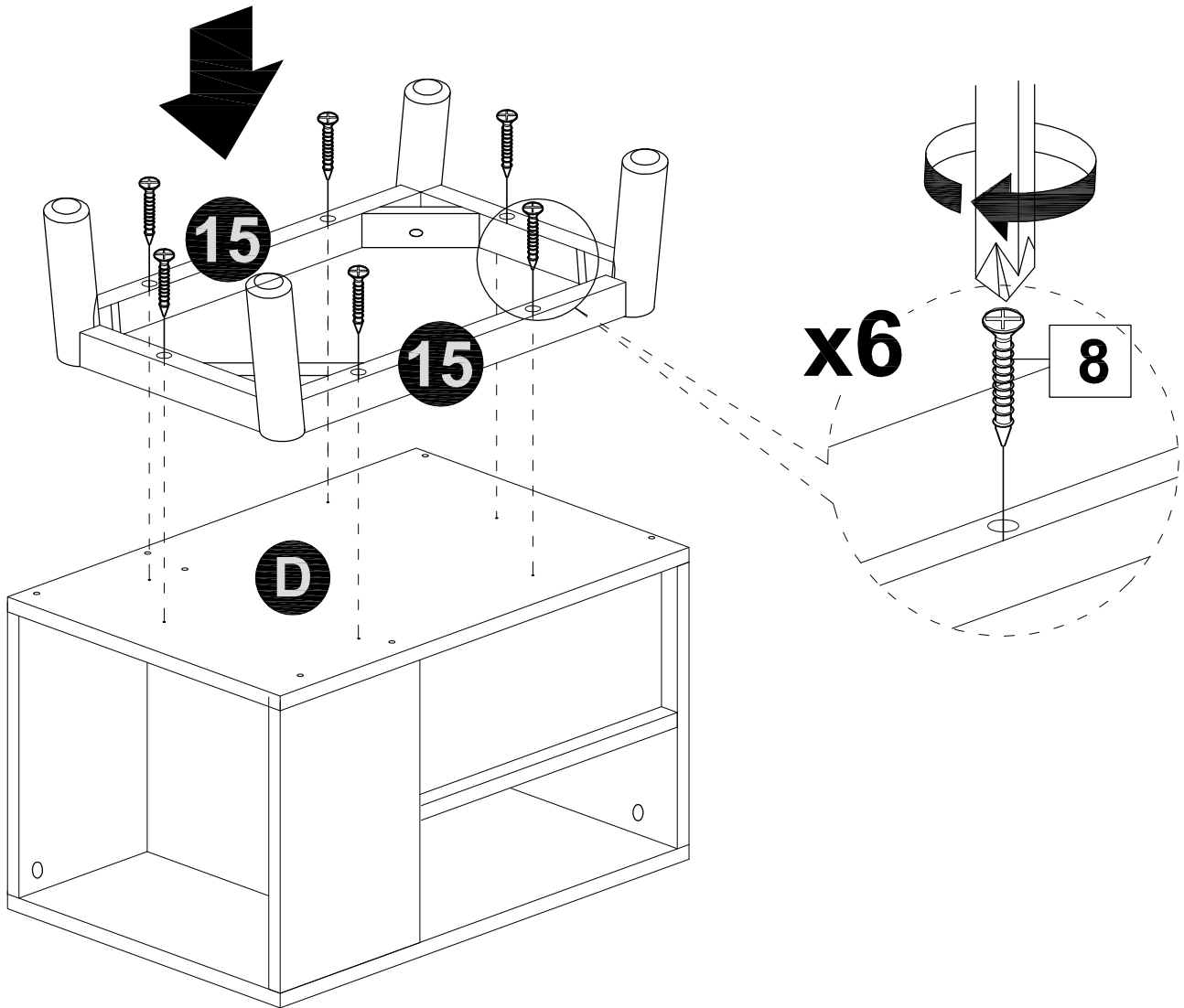
STEP 10



MODEL NAME:

ST 2847-00

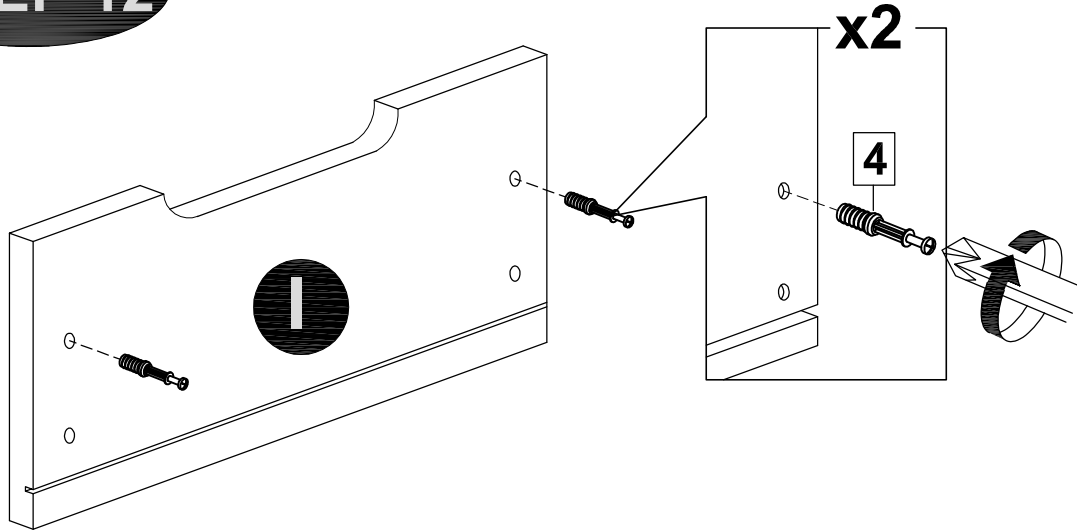
STEP 11



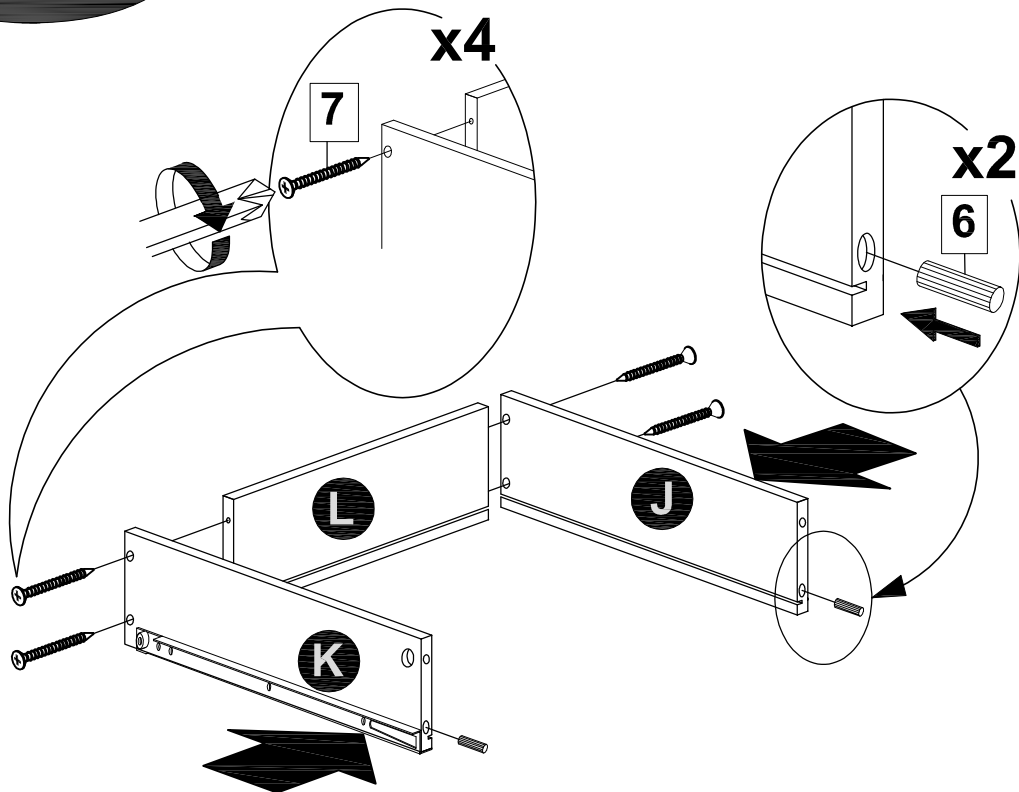
MODEL NAME:

ST 2847-00

STEP 12



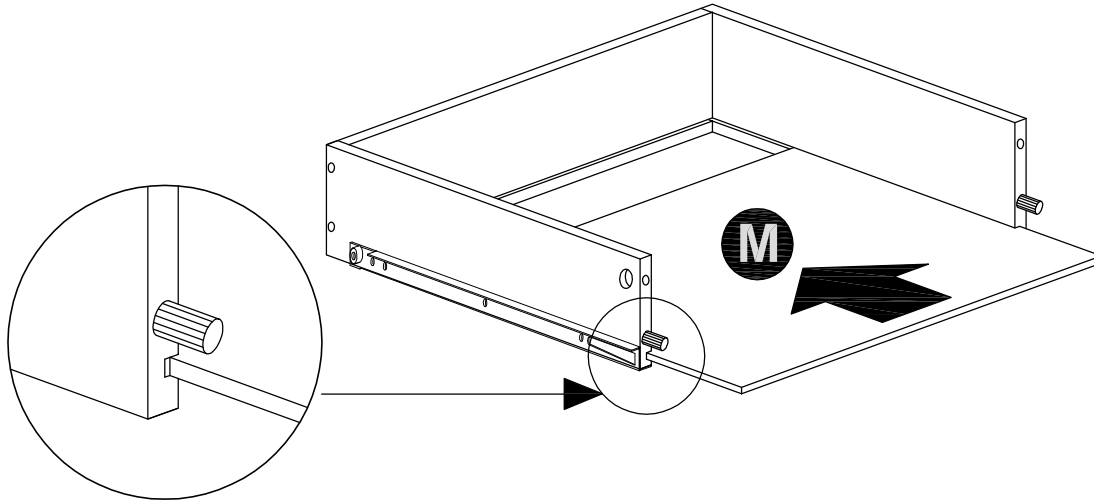
STEP 13



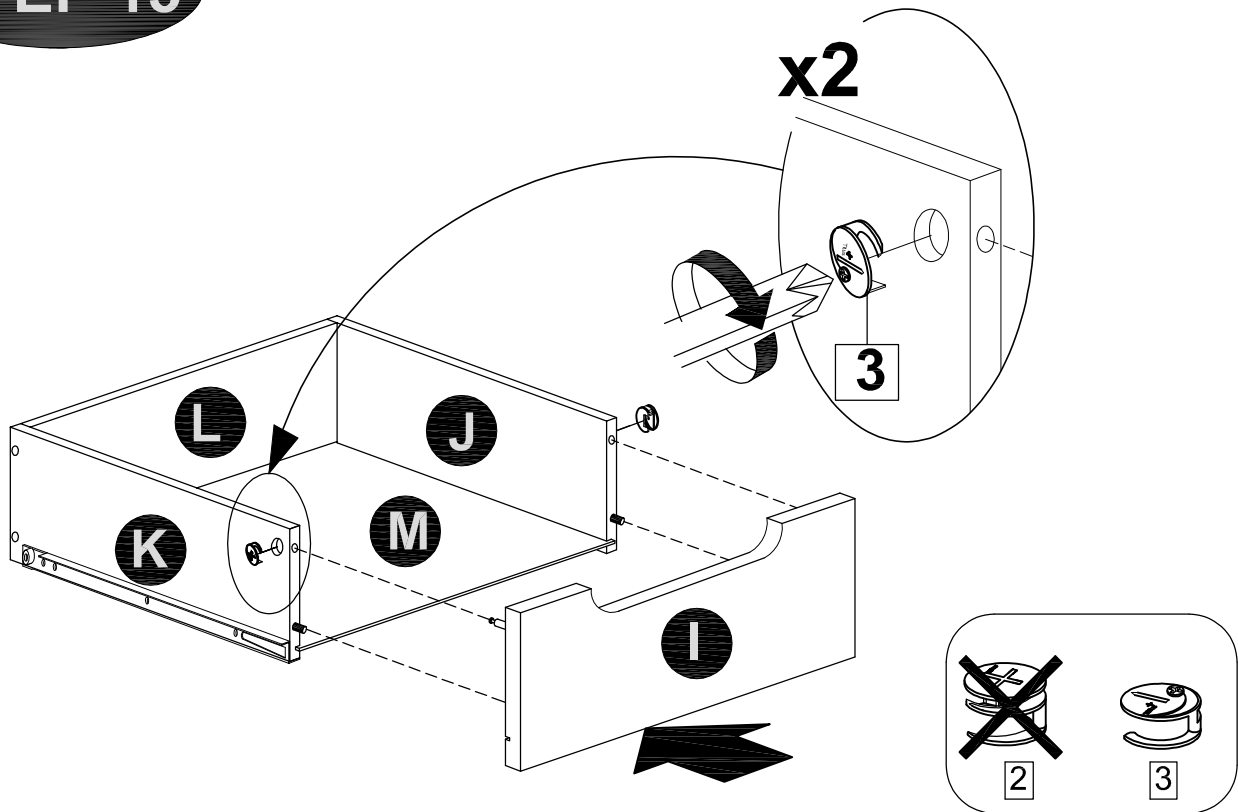
MODEL NAME:

ST 2847-00

STEP 14



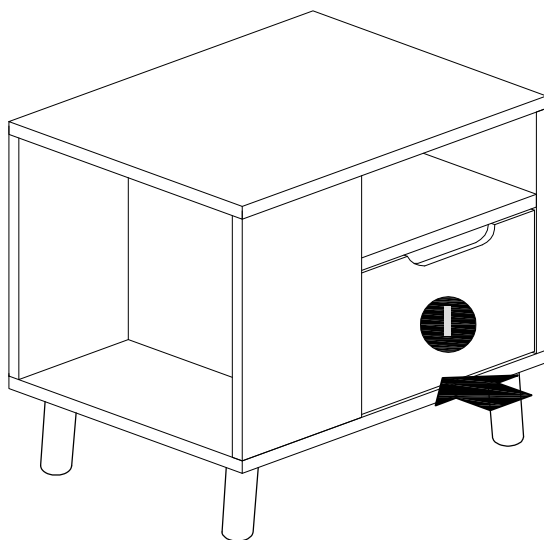
STEP 15



MODEL NAME:

ST 2847-00

STEP 16



STEP 17

