

ASSEMBLY INSTRUCTION

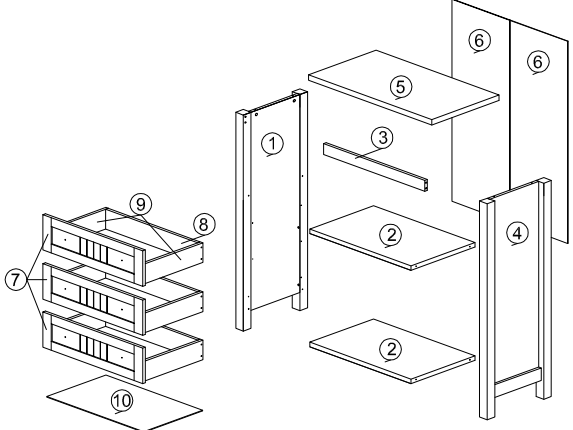
MODEL : SR 890016

DESCRIPTION : STORAGE CABINET

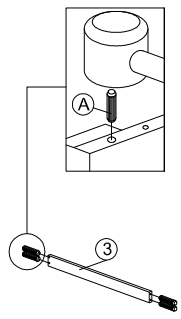
HARDWARE

A WOOD DOWEL 8 X 25 4	B CB SCREW M3.5X16MM 36	C CB SCREW M4X38MM 24	D NAIL 6/8 54	E L-KEY 1	F MINIFIX (HOUSING) 12	G MINIFIX (EURO 24) 12	H MINIFIX CAP 12	I HANDLE 5022 6	J HANDLE SCREW M4X32MM 6	K PVC NAIL WITH PIN 5/8 4	L DRAWER SLIDE 14" L1 L2 3
---	---	---	--------------------------------	----------------------------	--	--	--------------------------------------	-------------------------------------	---	--	--

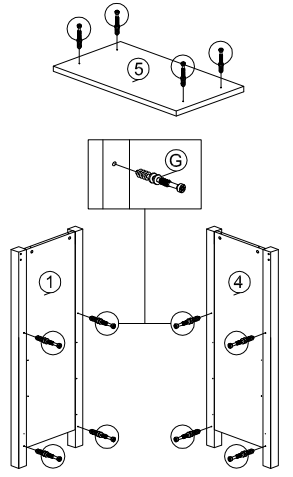
PART LIST



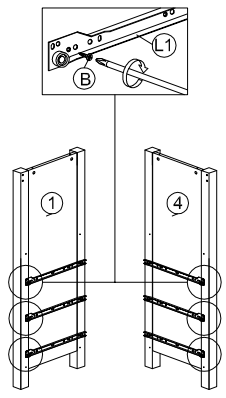
STEP 1



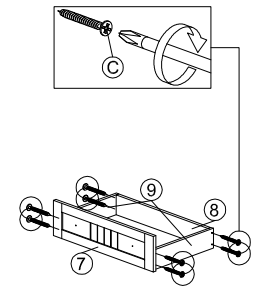
STEP 2



STEP 3

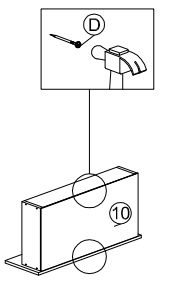


STEP 4



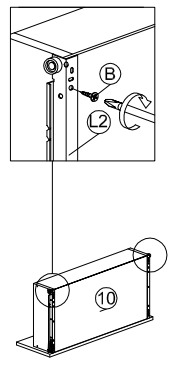
X3

STEP 5



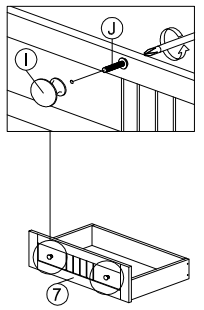
X3

STEP 6



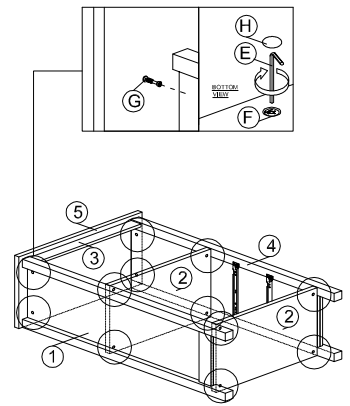
X3

STEP 7

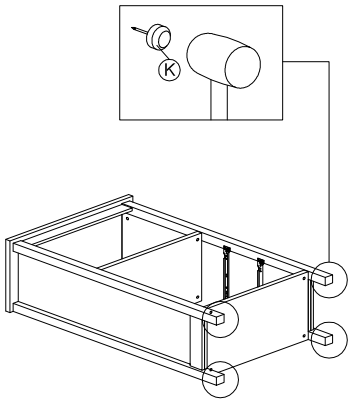


X3

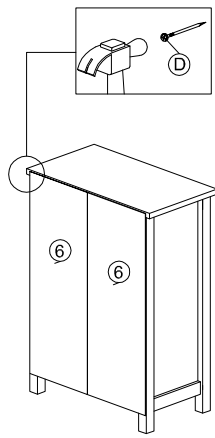
STEP 8



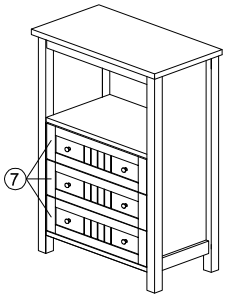
STEP 9



STEP 10



STEP 11



COMPLETED

