

ASSEMBLY INSTRUCTION

MODEL : SR 890006

DESCRIPTION : STORAGE CABINET

HARDWARE

A
WOOD DOWEL
8 X 25
1X8

B
CB SCREW
M3.5X16MM
1X48

C
CSK CAP WOOD
M6X50MM
1X4

D
NAIL 6/8
1X22

E
ALLEN KEY
1X1

F
METAL SHELF SUPPORT
1X4

G
MINIFIX 5654+5546
4 SETS

H
2 PIN STOPPER (WHITE)
1X1

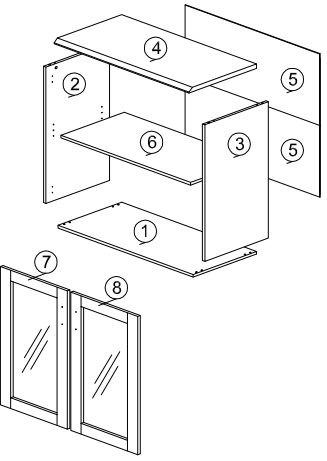
I
HANDLE 1106 -96 (METAL)
1X2

J
HINGES 5/8
4 SETS

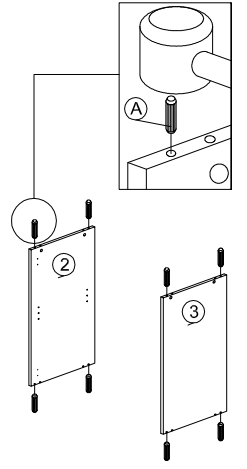
K
38100 PVC LEG
1X4

L
MIRROR BRACKET
1X16

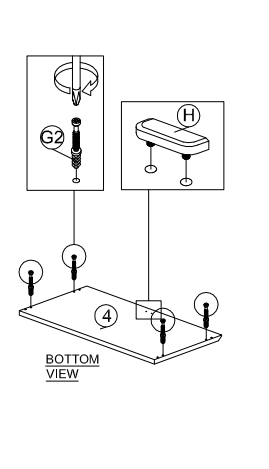
PART LIST



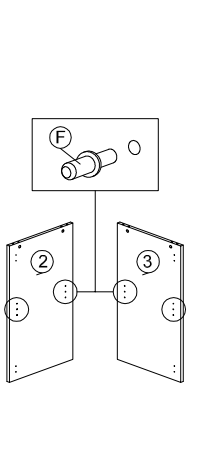
STEP 1



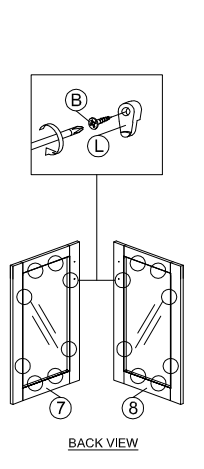
STEP 2



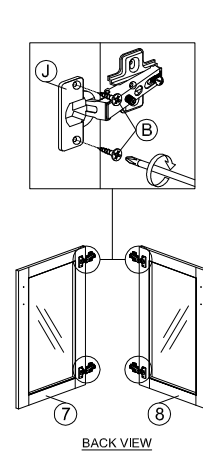
STEP 3



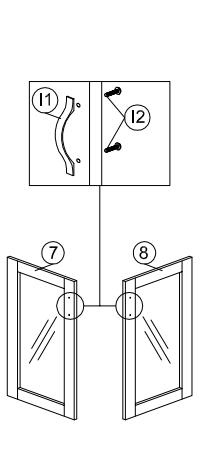
STEP 4



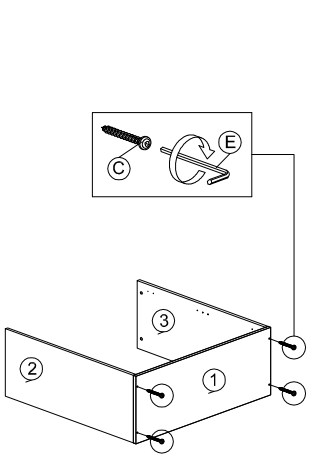
STEP 5



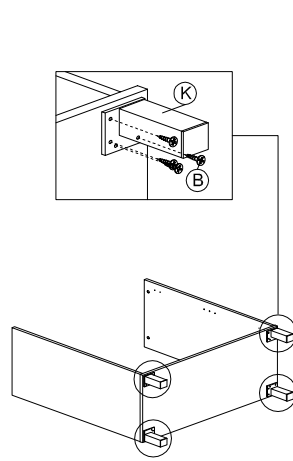
STEP 6



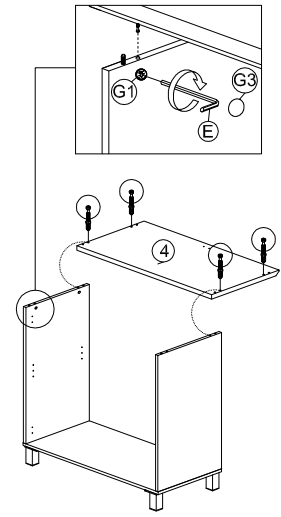
STEP 7



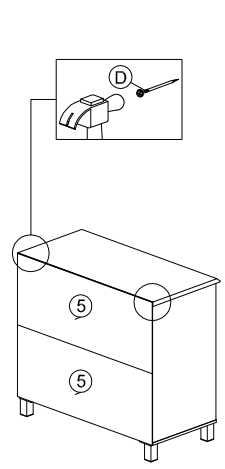
STEP 8



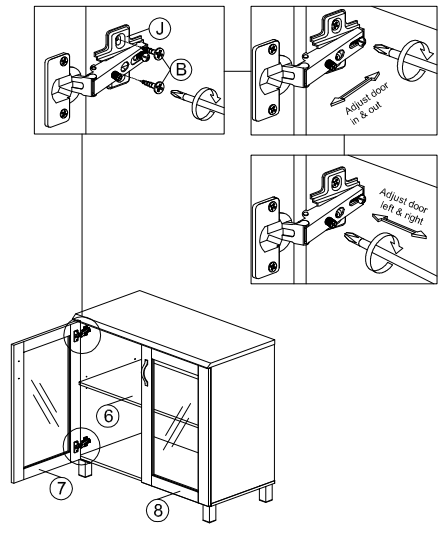
STEP 9



STEP 10



STEP 11



COMPLETED

