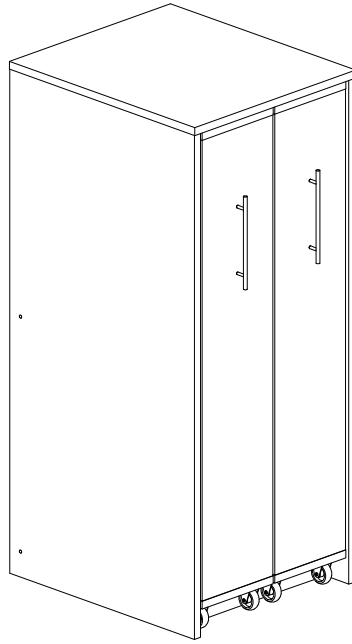
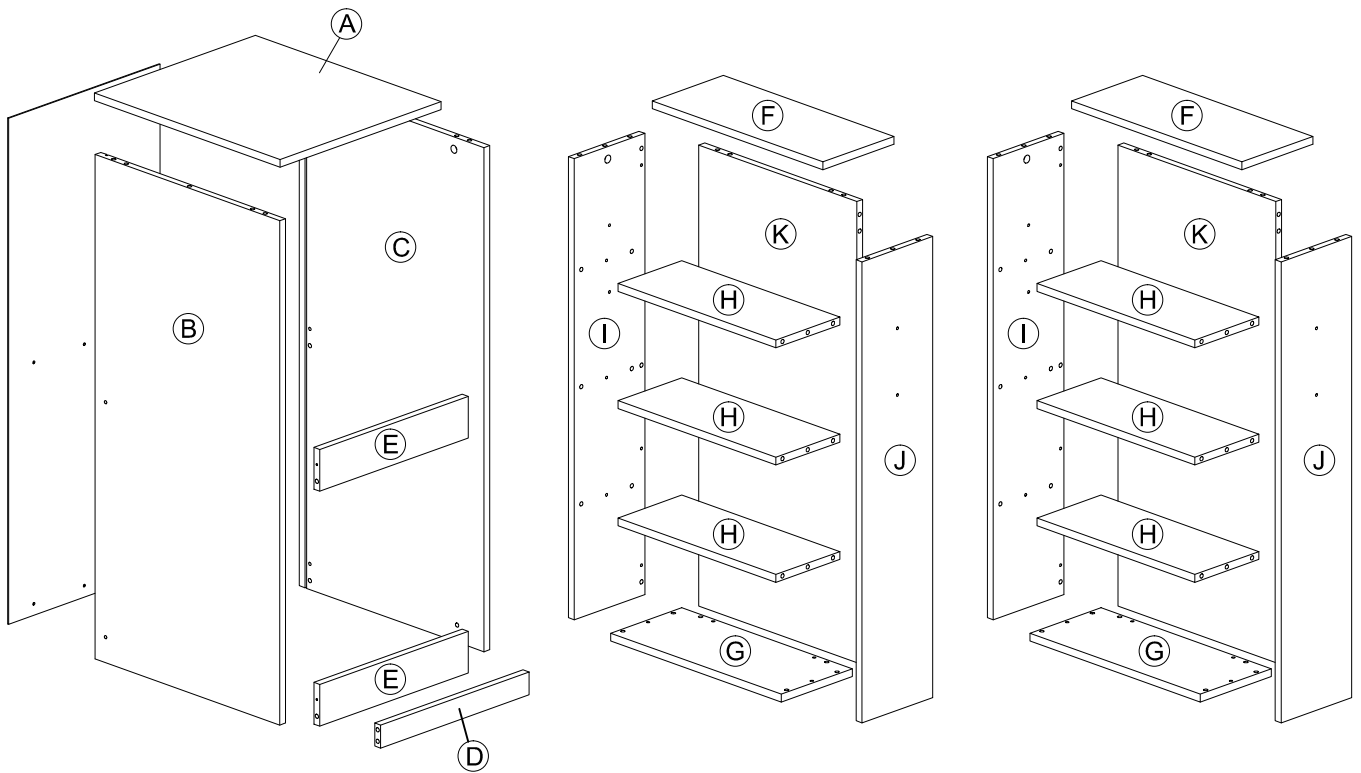


Assembly Instruction

Model : WI6474




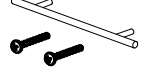
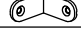
Part List



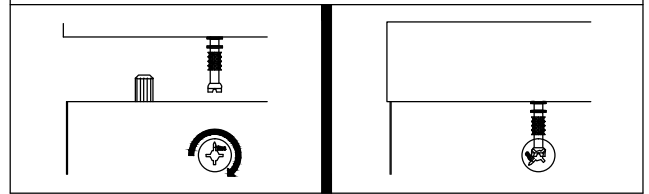
Assembly Instruction

Hardware List

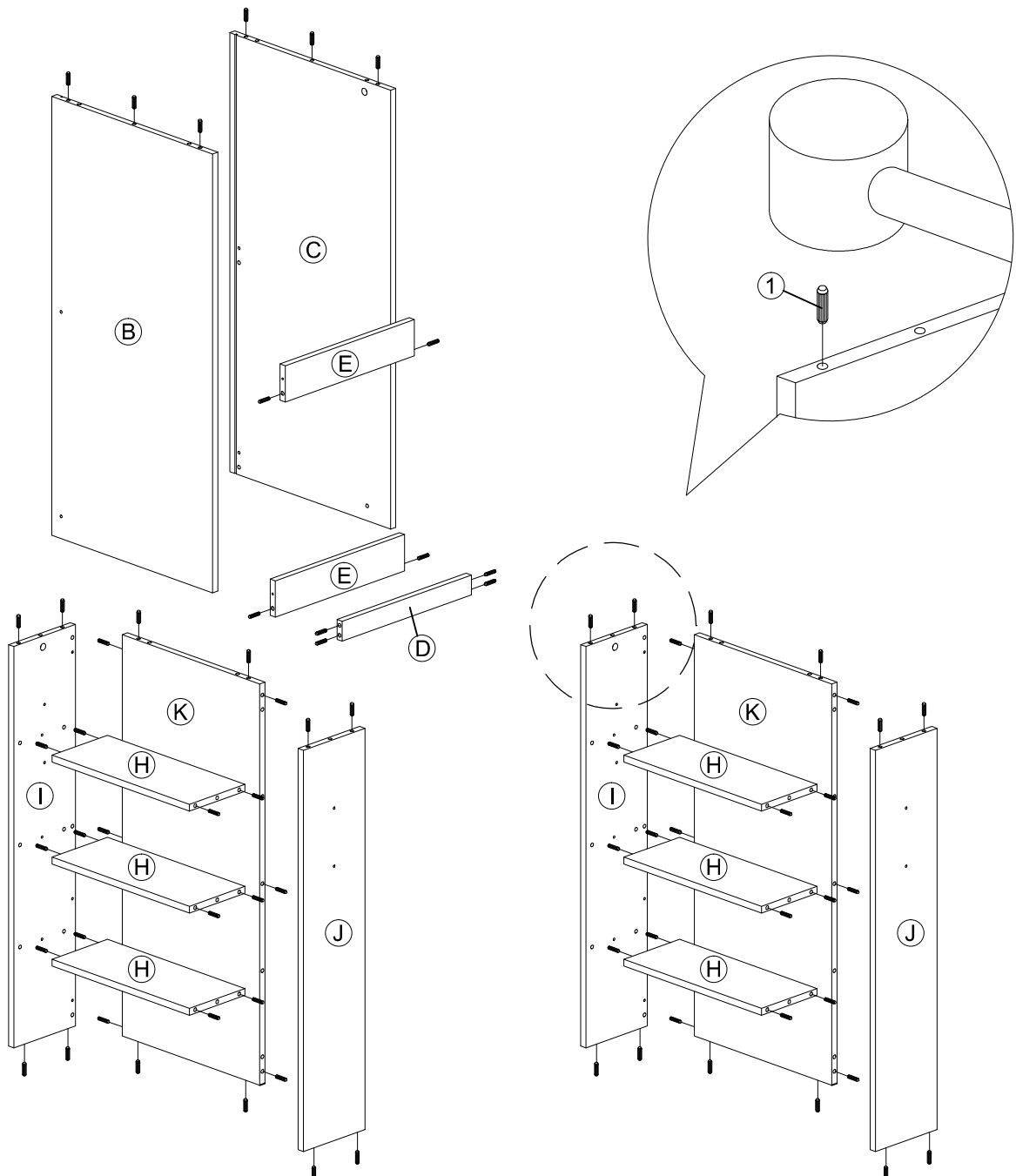
No.	SHAPE	DESCRIPTION	Qty.
1		8x25mm Wood Dowel	74Pcs
2		15MM Myfix Minifix	40Sets
3		M3.5x15mm Screw	42Pcs
4		M5x38mm Screw	12Pcs
5		Screw Cap	4Pcs
6		Nail Leg	4Pcs

7		Caster TWR38	8Pcs
8		Bar Handle (128mm) M3.6x24mm Handle Screw	2Sets
9		L Bracket	2Pcs

Dowel / Cam - Lock Installation

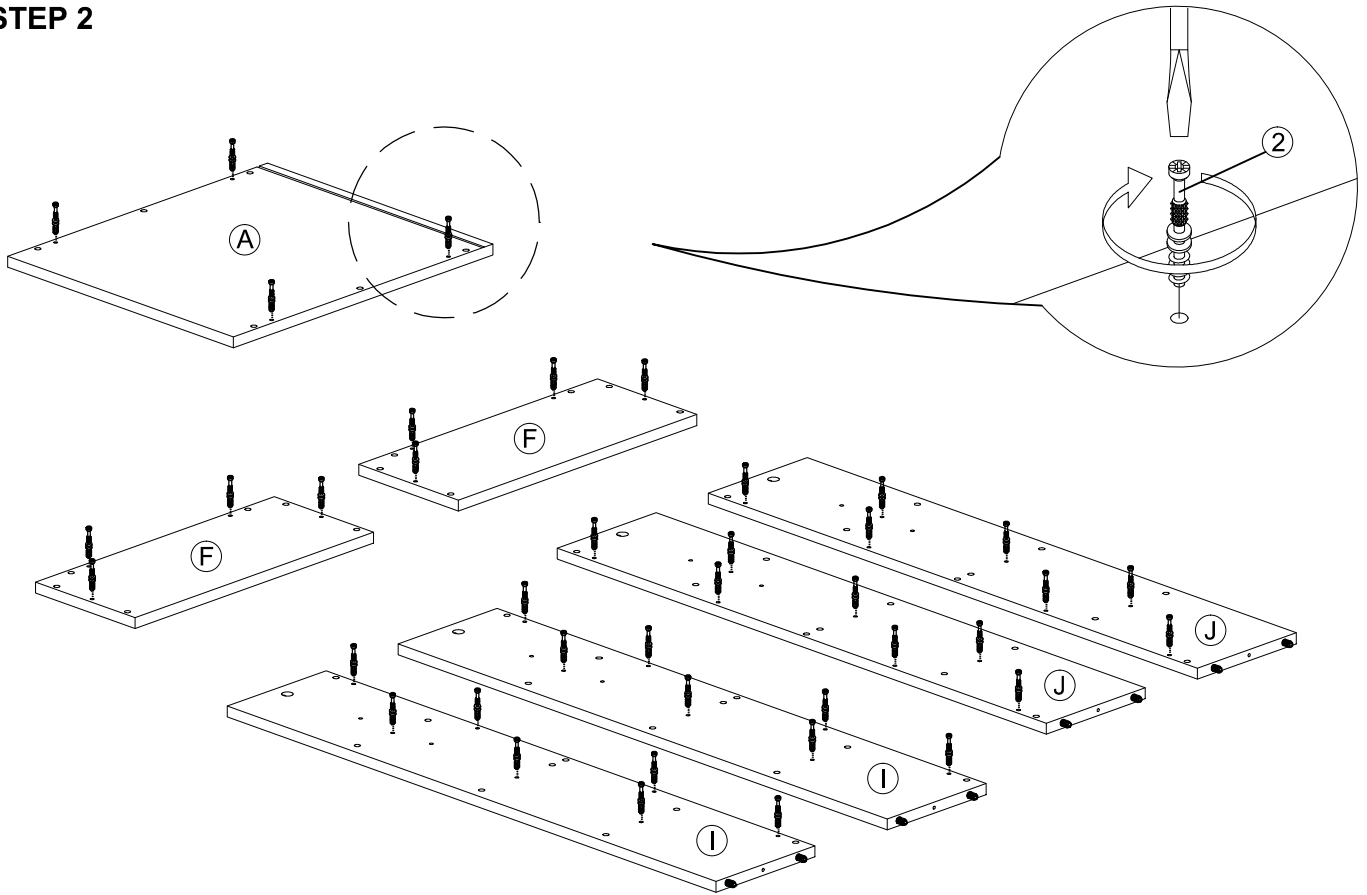


STEP 1

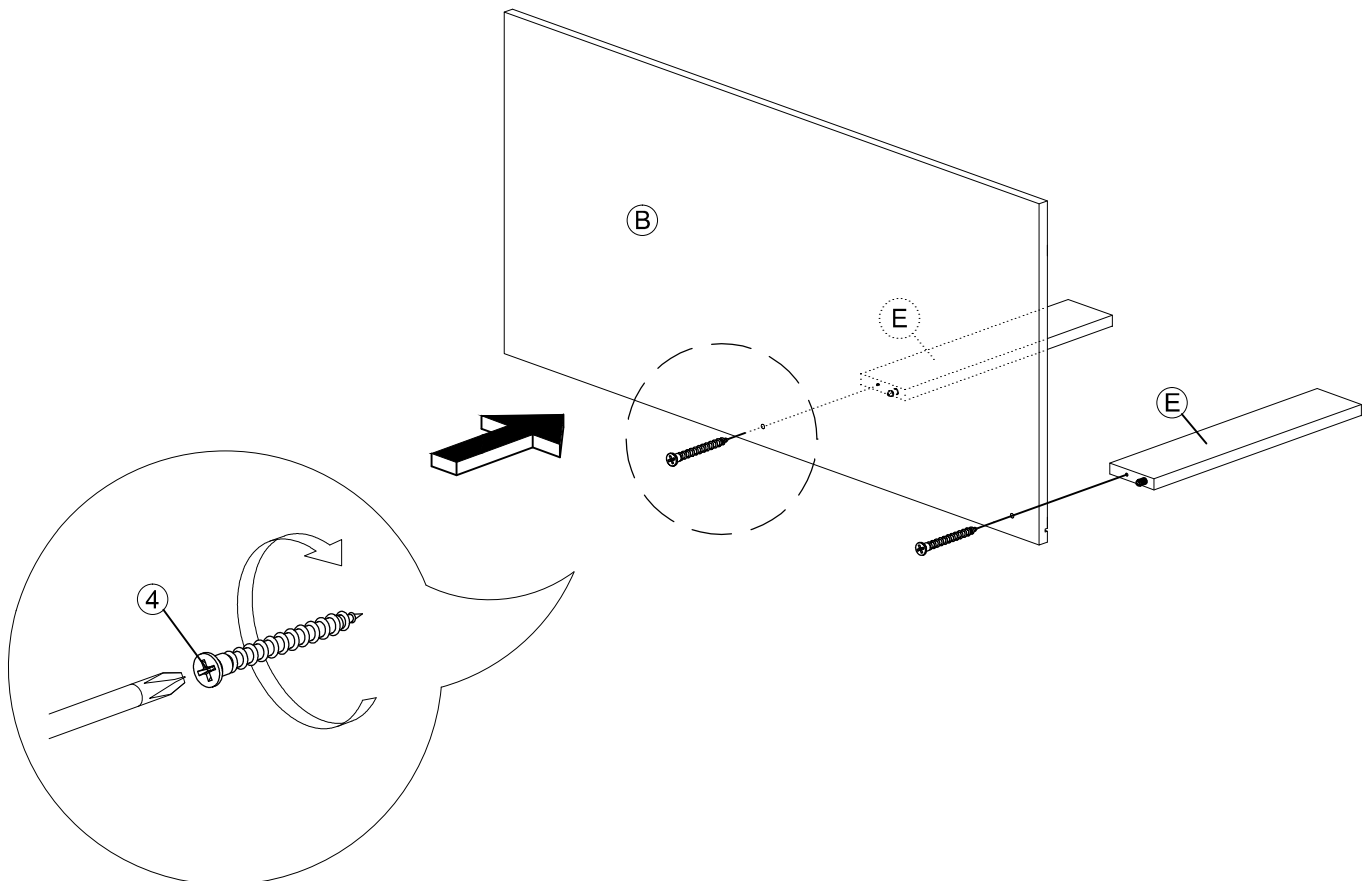


Assembly Instruction

STEP 2

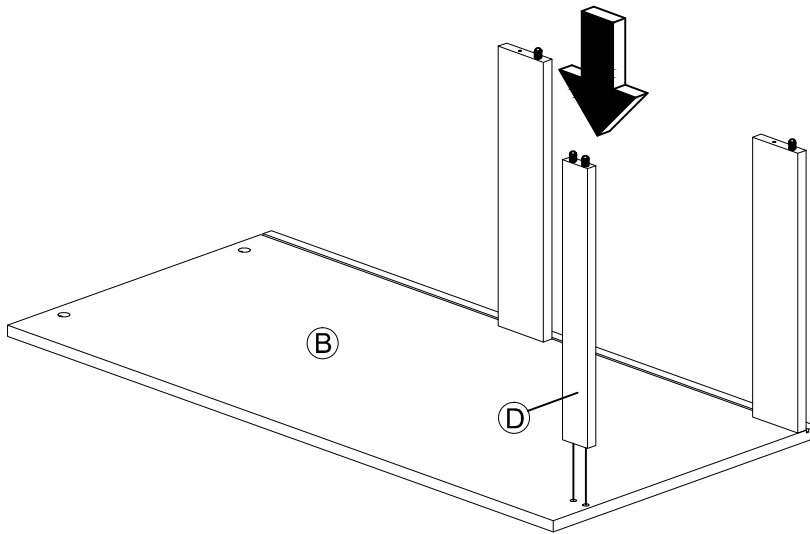


STEP 3

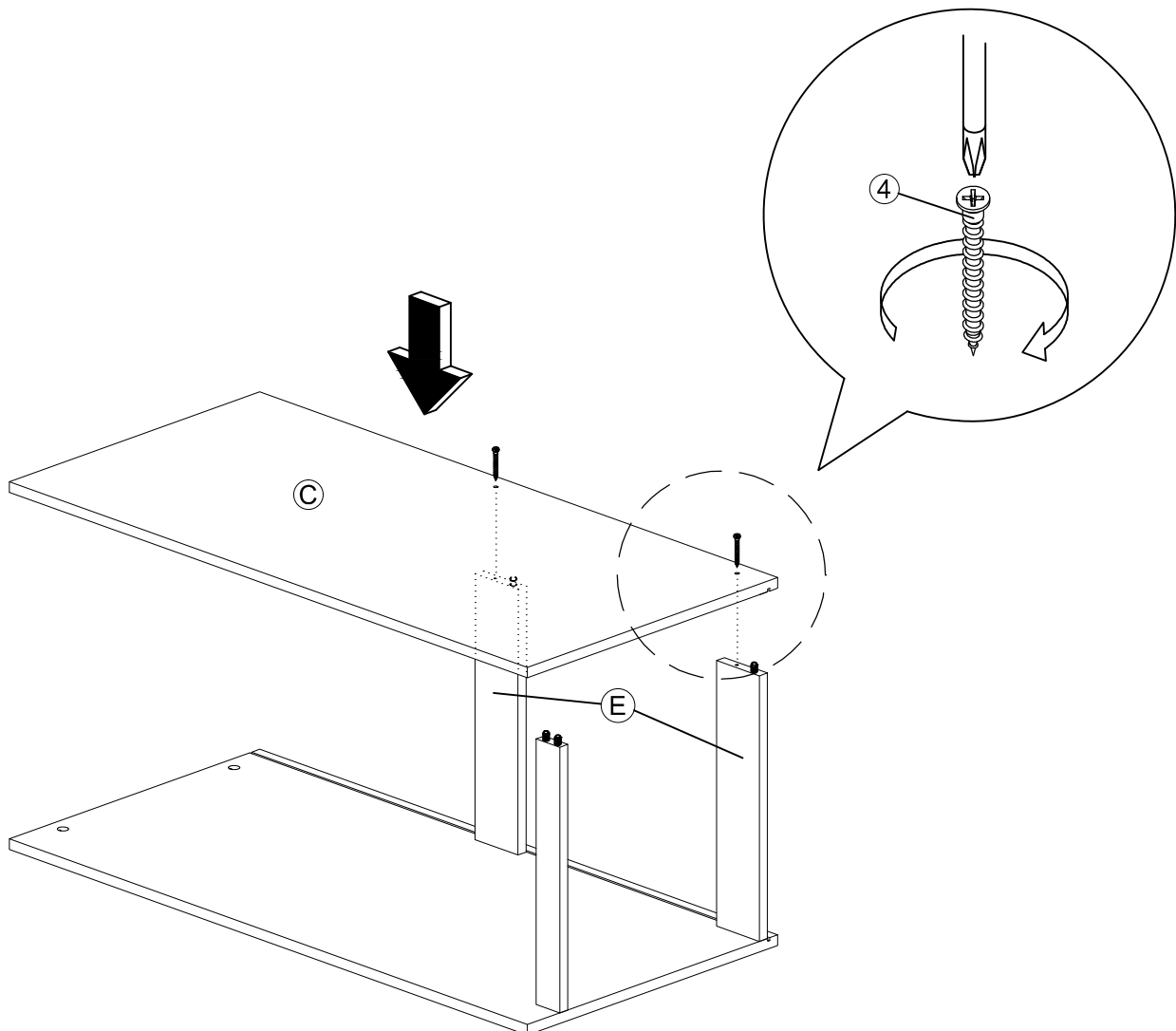


Assembly Instruction

STEP 4

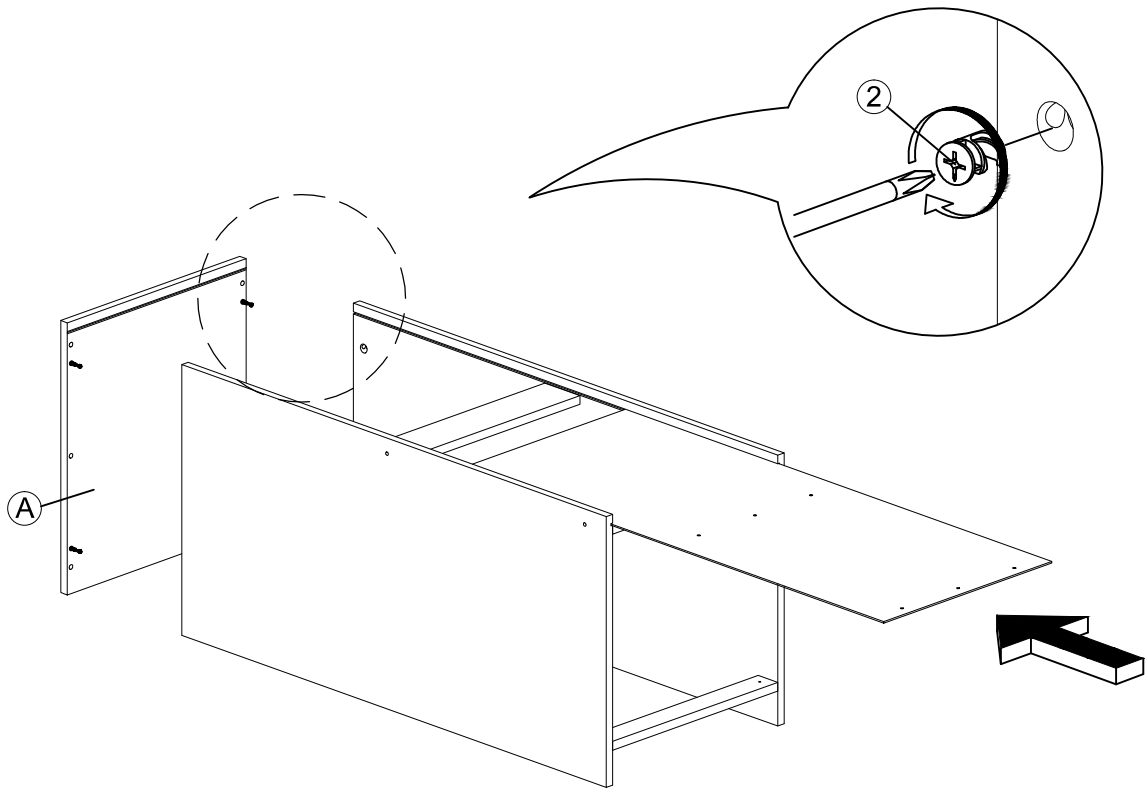


STEP 5

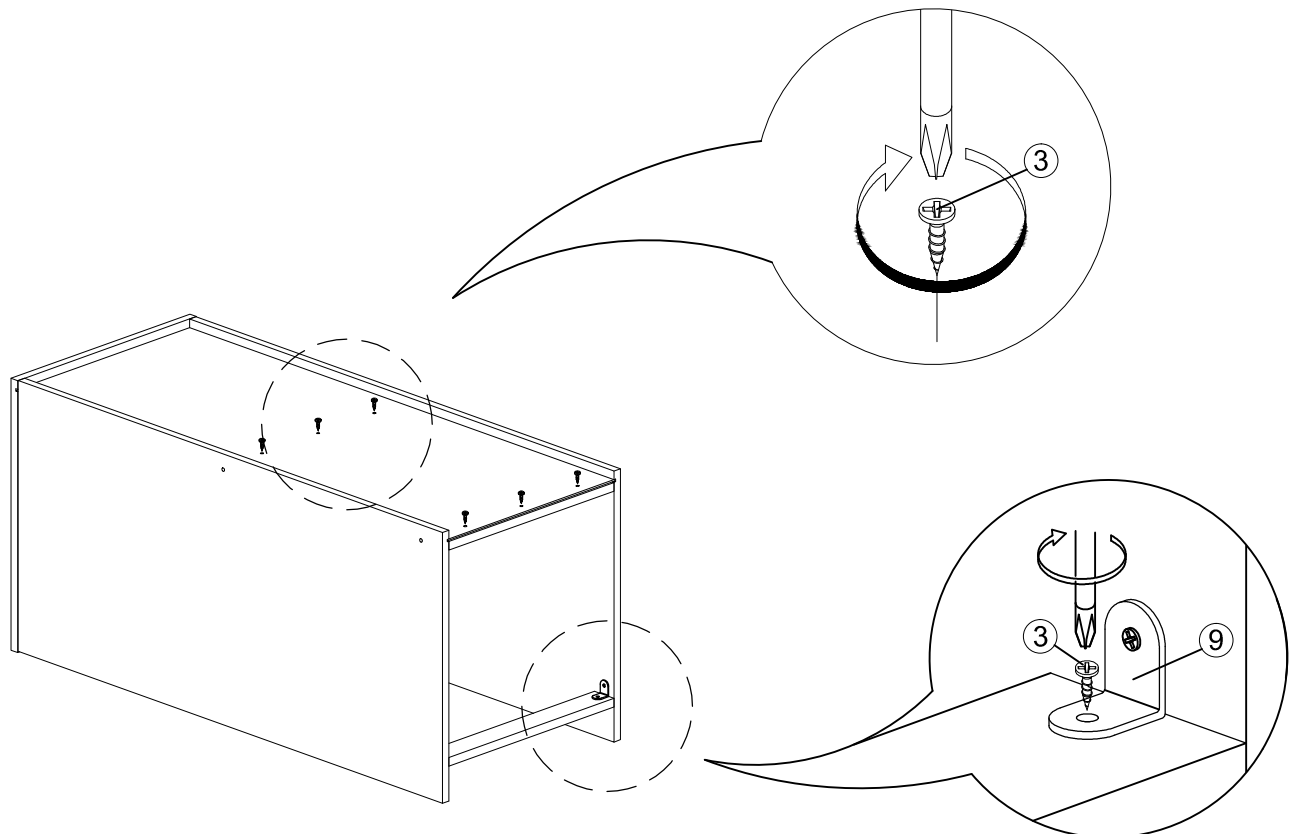


Assembly Instruction

STEP 6

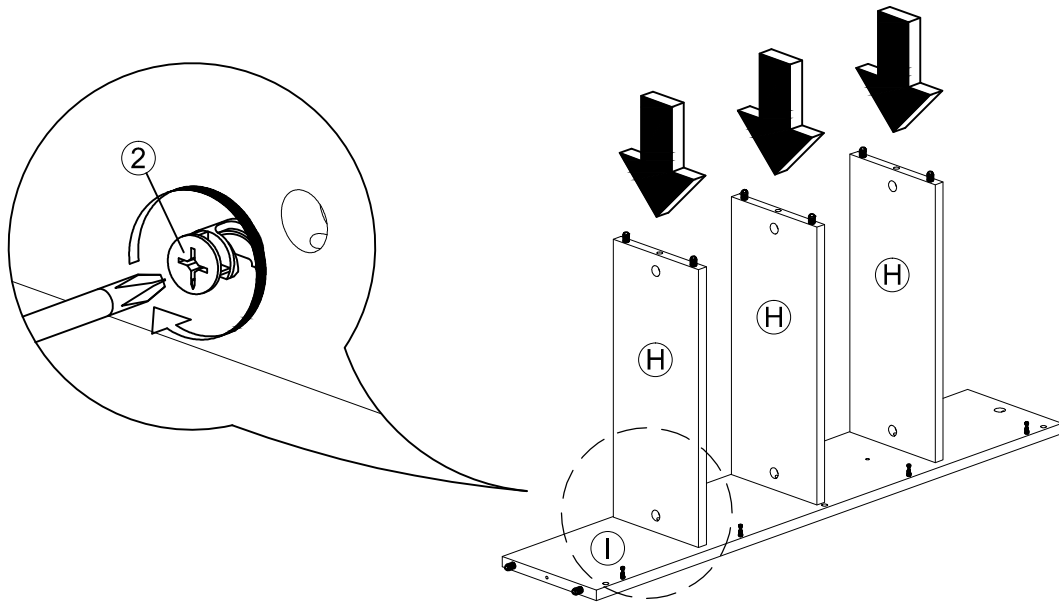


STEP 7

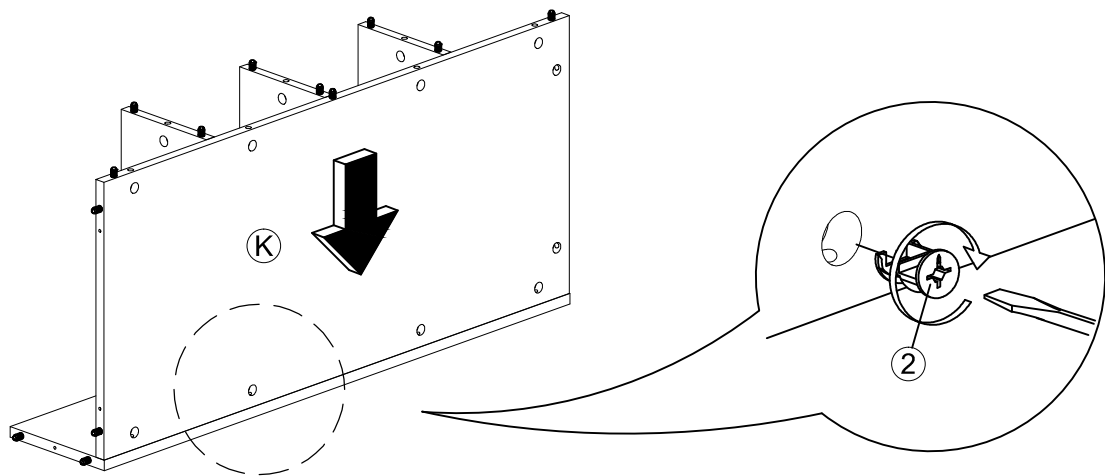


Assembly Instruction

STEP 8

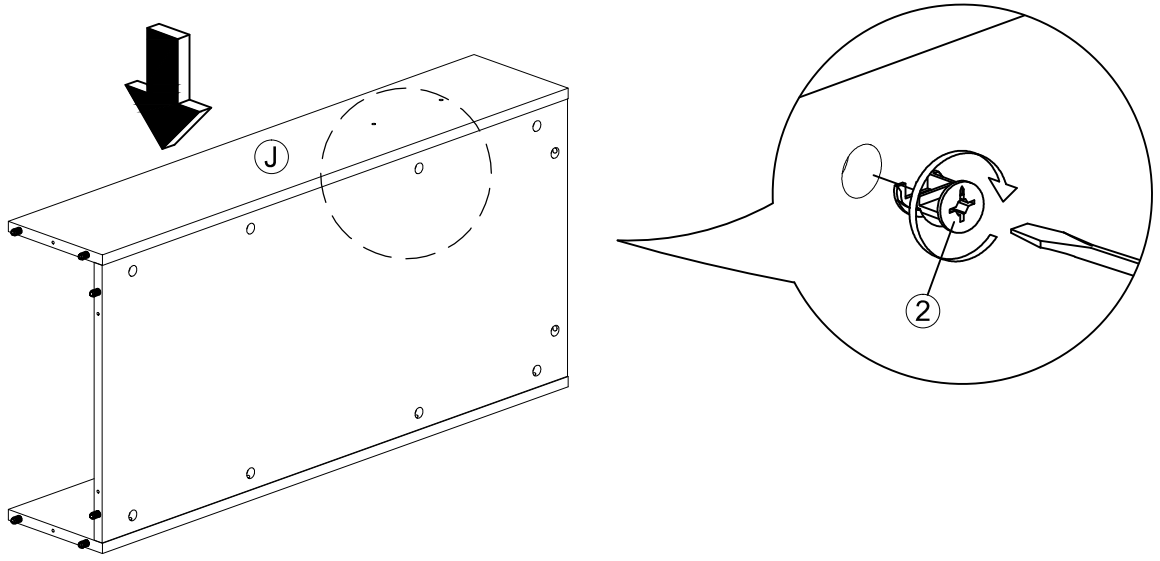


STEP 9

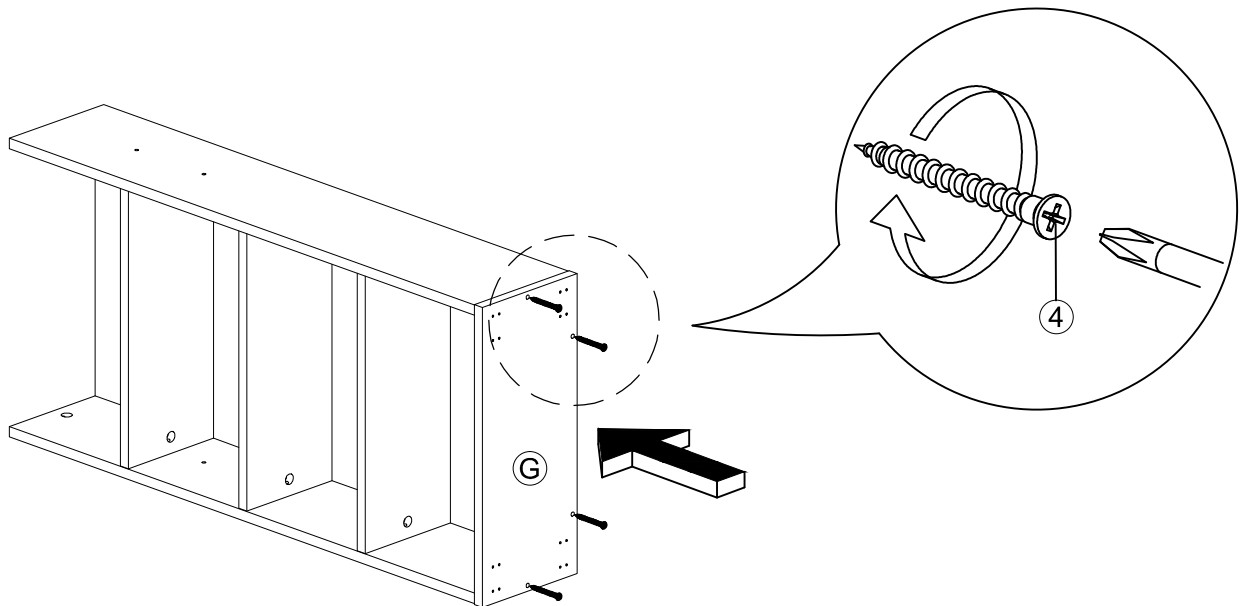


Assembly Instruction

STEP 10

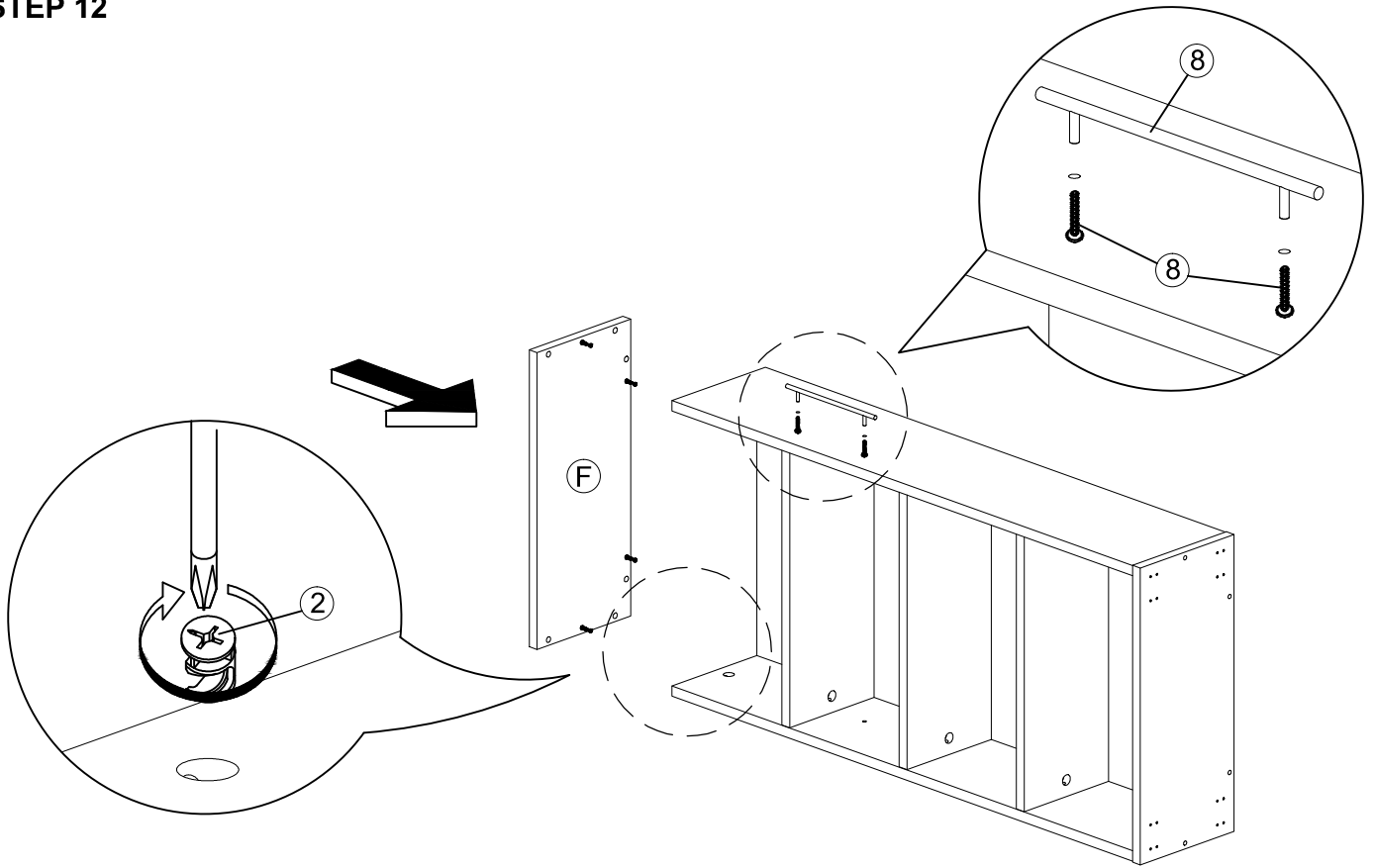


STEP 11

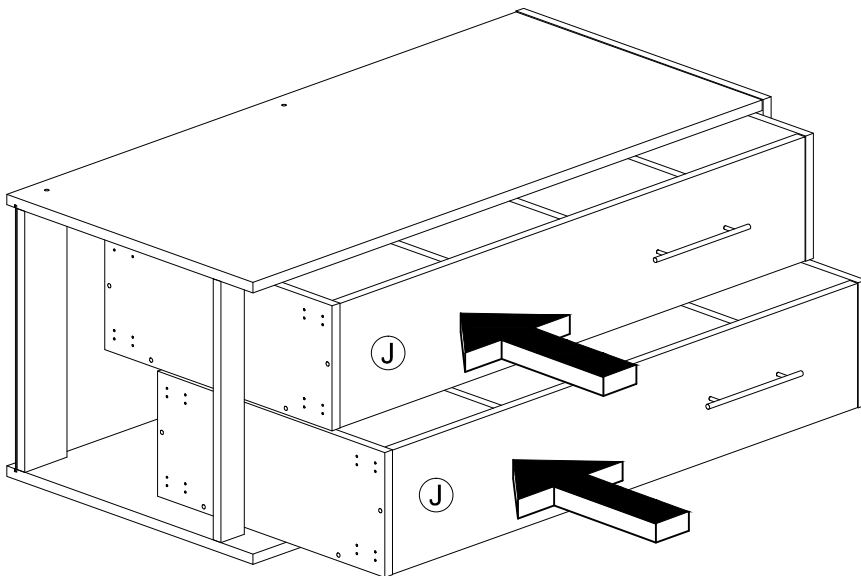


Assembly Instruction

STEP 12

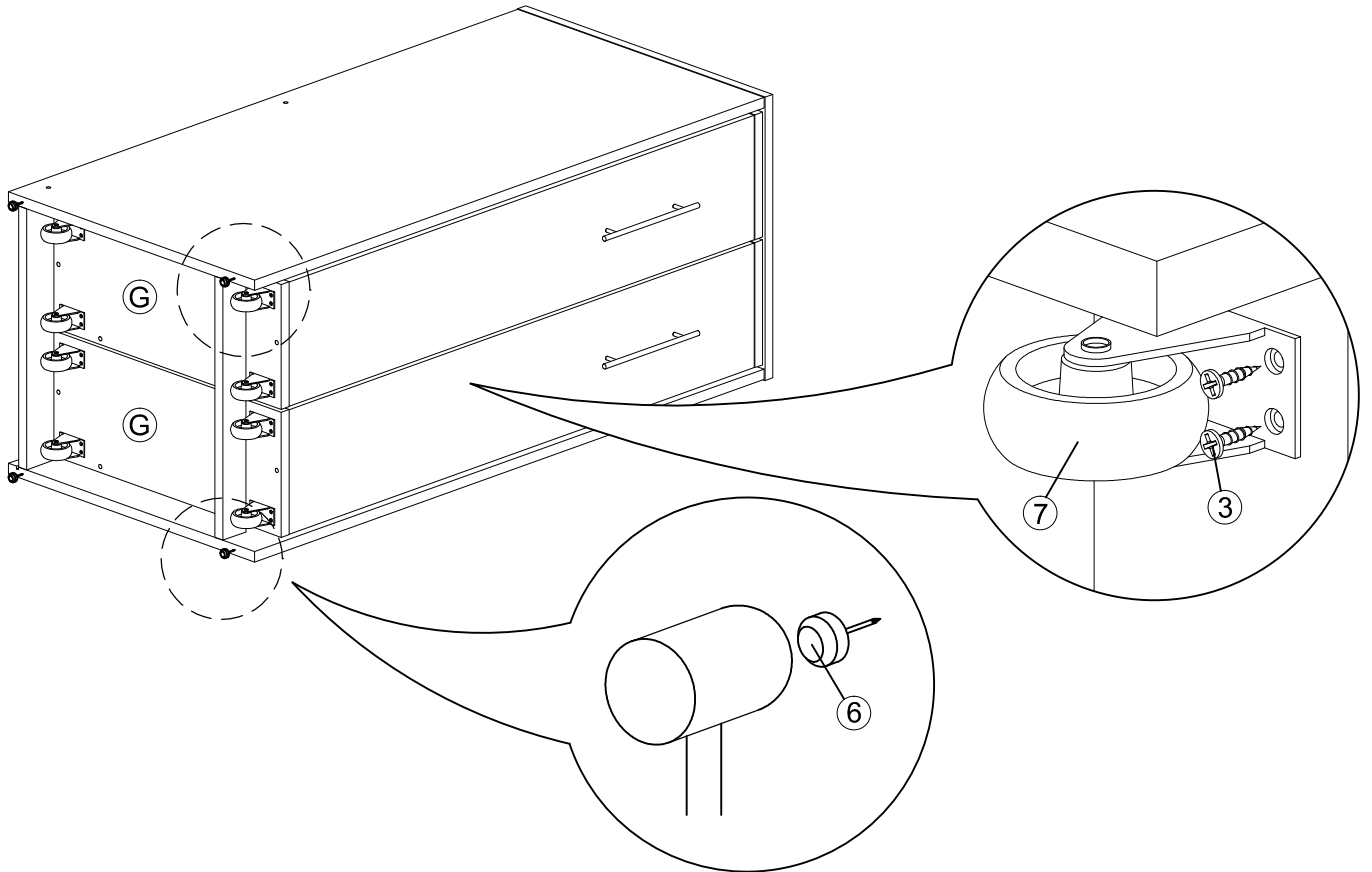


STEP 13



Assembly Instruction

STEP 14



STEP 15

