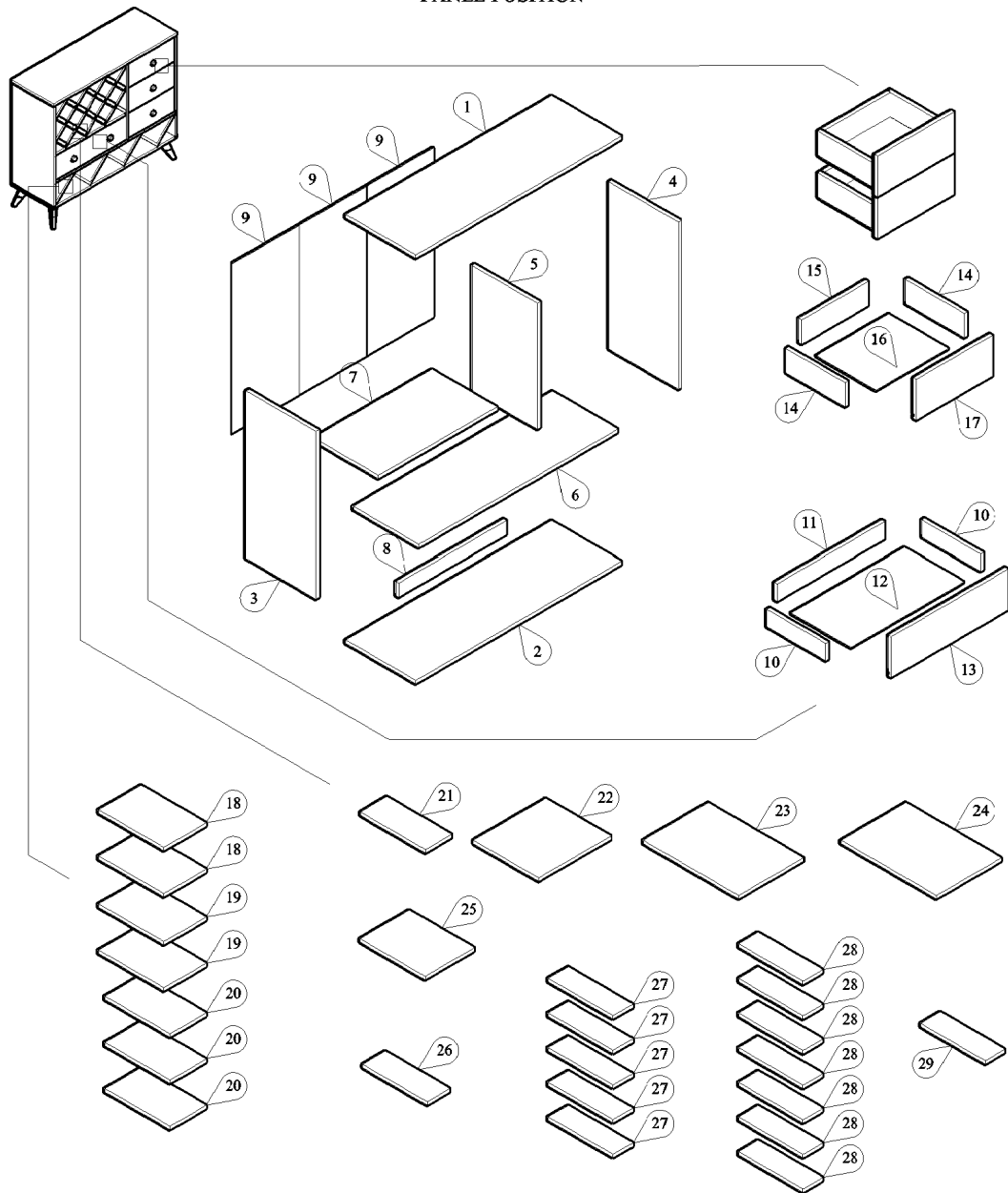


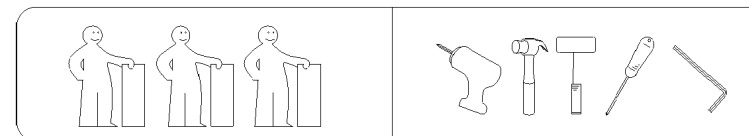
MODEL : SE WC 16003WI-DG/HO

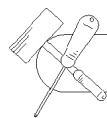
PANEL POSITION



	ACCESSORIES	QUANTITY
A	MINIFIX M5 x 24MM	22 PCS
B	MINIFIX CASING	22 PCS
C	WOOD DOWEL M8 x 30MM	36 PCS
D	WOOD DOWEL M8 x 50MM	18 PCS
E	SCREW M6 x 50MM	6 PCS
F	DRAWER SLIDE 12" SCREW M3.5 x 12MM	4 PCS 48 PCS
G	PVC H RAIL	2 PCS
H	PVC SQUARE KNOB (BLACK) SCREW M4 x 25MM	5 PCS 5 PCS
I	STUB SCREW M3x20MM (SV)	4 PCS 4 PCS
J	SCREW M4 x 38MM	46 PCS
K	SCREW M3.5 x 16MM	1 PC
L	POWER PIN	14 PCS
M	PVC HANDLE SCREW M3.5 x 16MM	6 PCS 24 PCS
N	NYLON CABLE (BLACK)	1 PC
O	WALL PLUG	1 PC
P	SCREW M4 x 28MM	1 PC
Q	WOSE (SMALL)	2 PCS
R	ALLEN KEY	1 PC

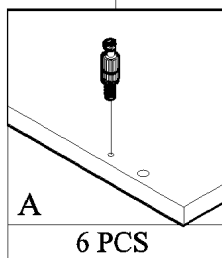
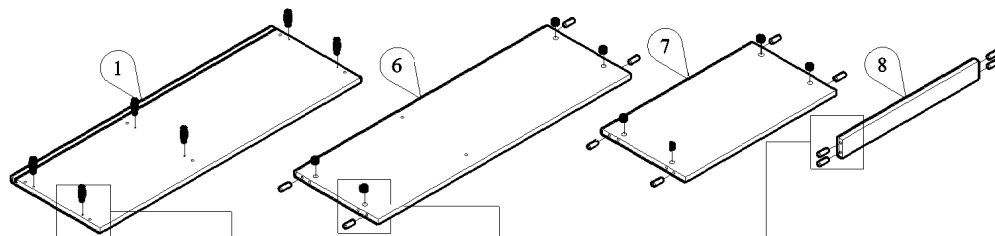
CHEMICAL	HANDLE WITH CARE	KEEP DRY	HARD SURFACE	



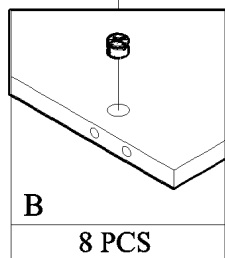


START ASSEMBLY

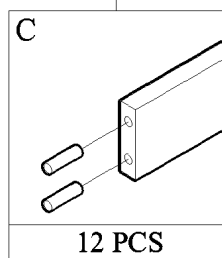
STEP 1



6 PCS

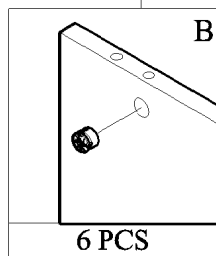
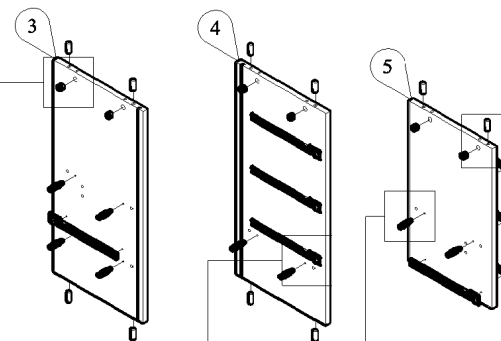


8 PCS

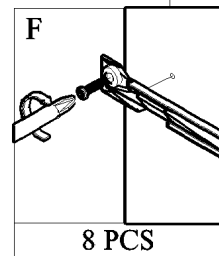


12 PCS

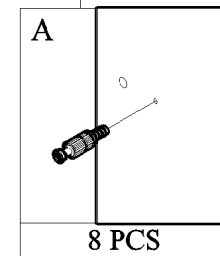
STEP 2



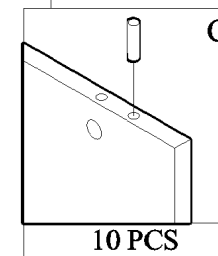
6 PCS



8 PCS

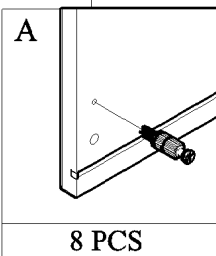
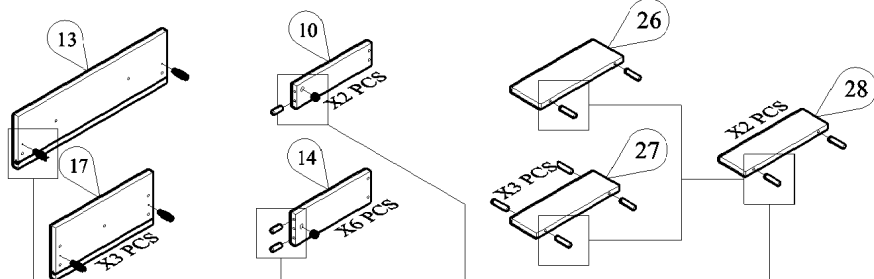


8 PCS

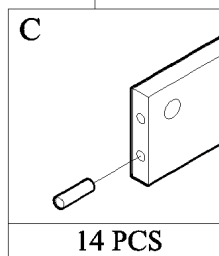


10 PCS

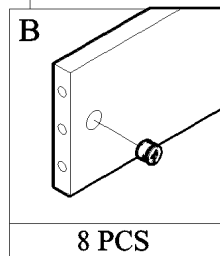
STEP 3



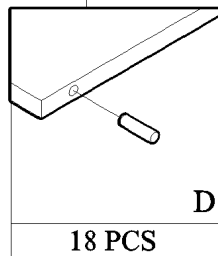
8 PCS



14 PCS

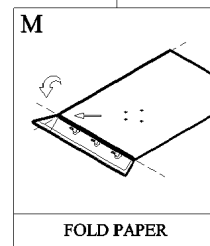
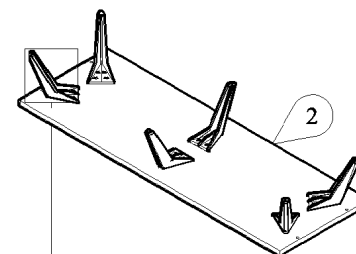


8 PCS

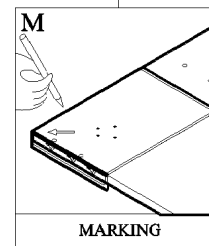


18 PCS

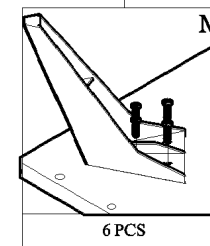
STEP 4



FOLD PAPER

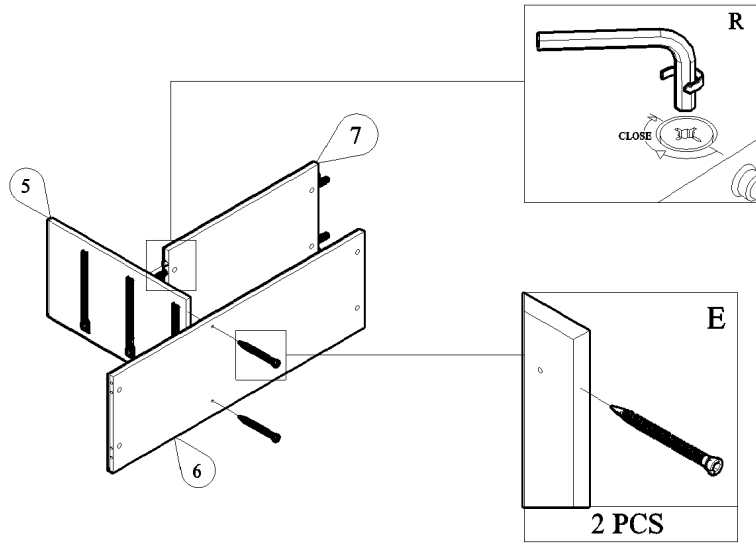


MARKING

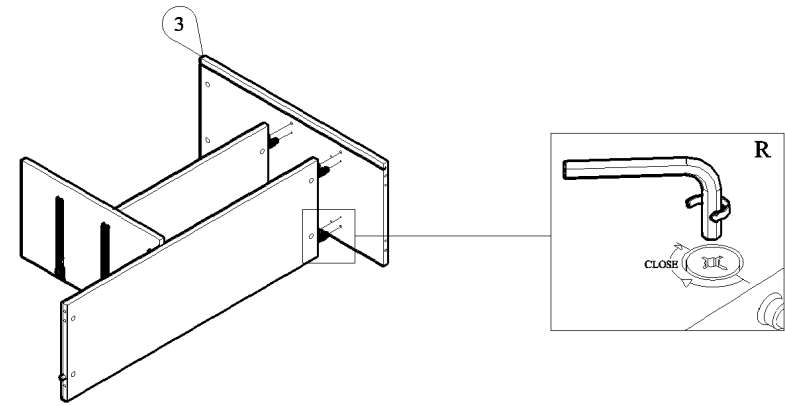


6 PCS

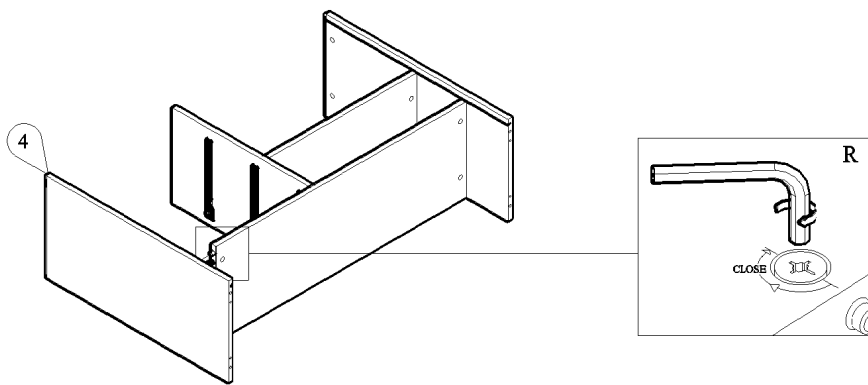
STEP 5



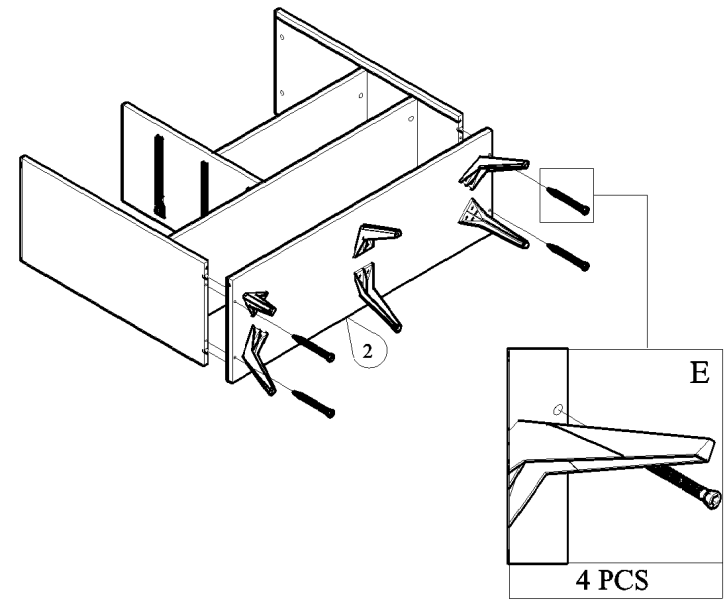
STEP 6



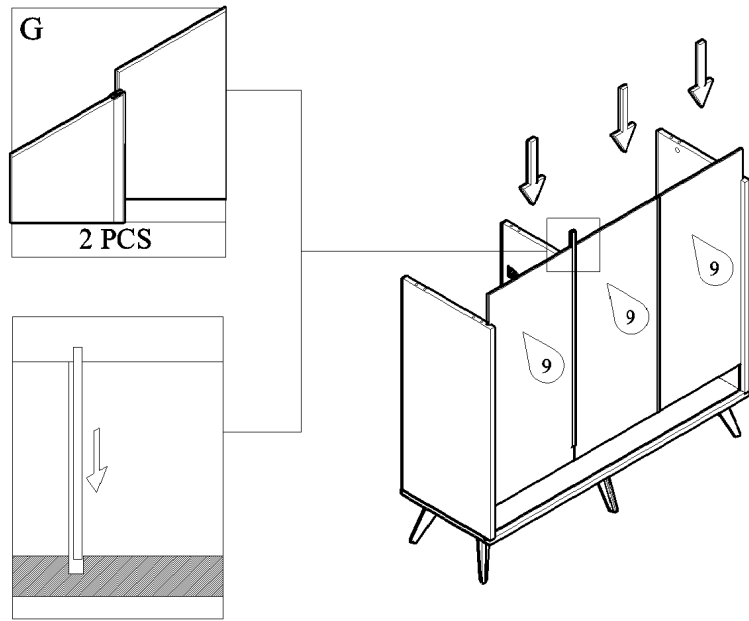
STEP 7



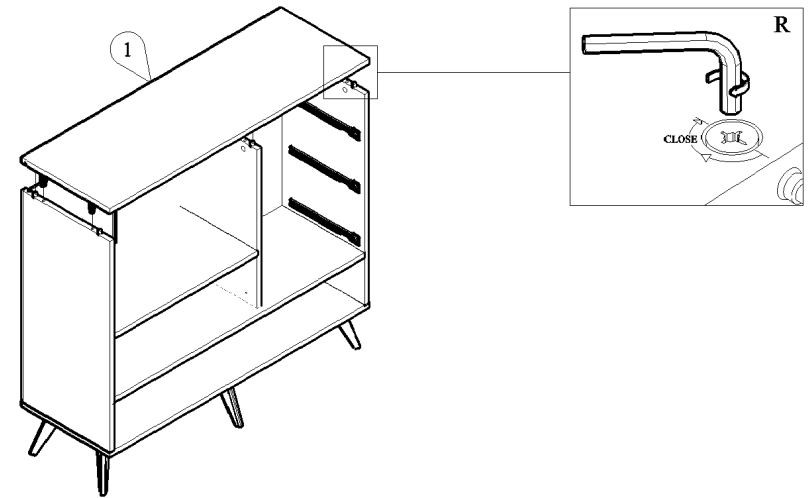
STEP 8



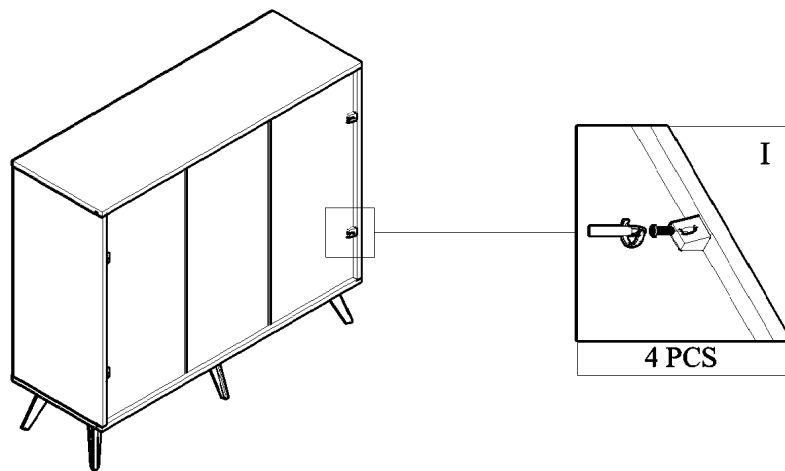
STEP 9



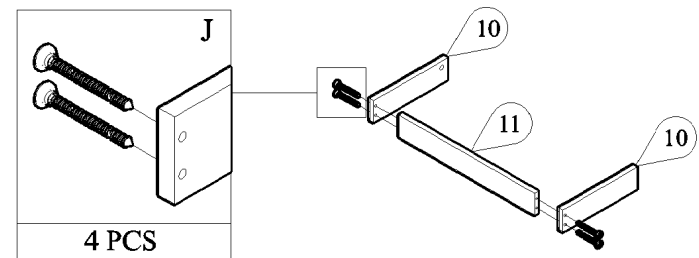
STEP 10



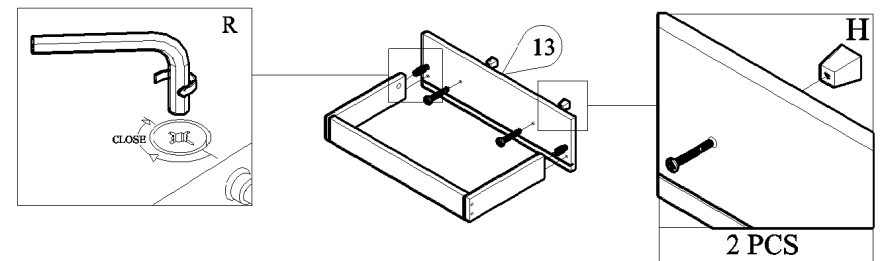
STEP 11



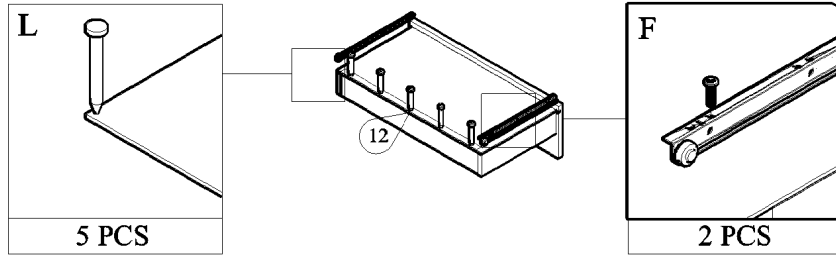
STEP 12



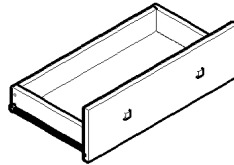
STEP 13



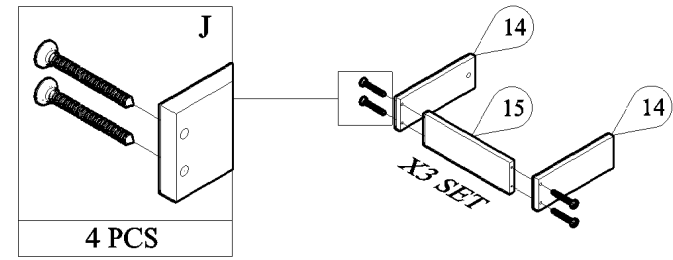
STEP 14



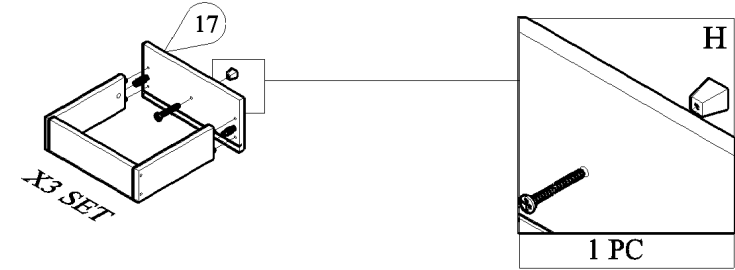
COMPLETED DRAWER (LONG)



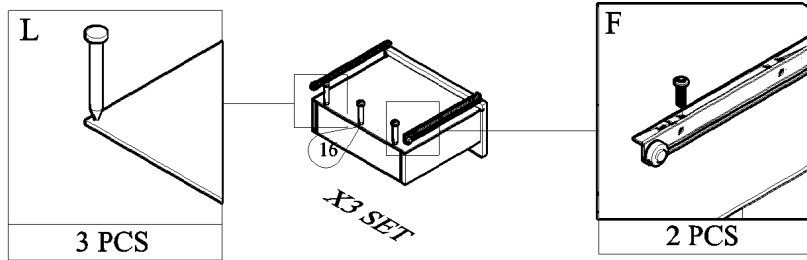
STEP 15



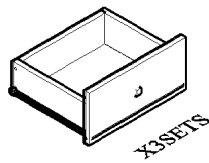
STEP 16



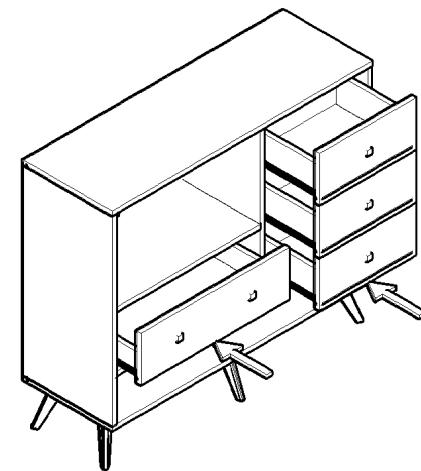
STEP 17



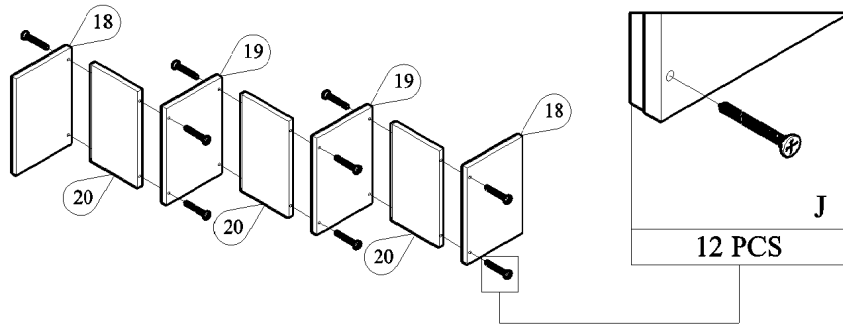
COMPLETED DRAWER (SHORT)



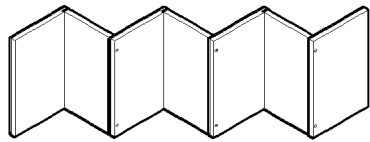
STEP 18



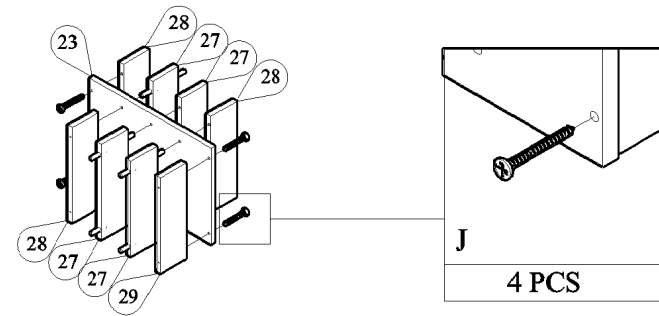
STEP 19



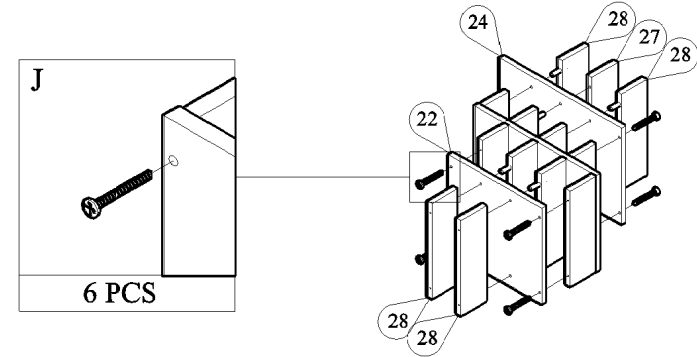
COMPLETED



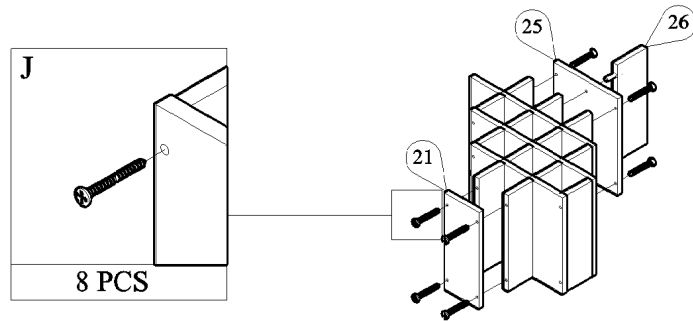
STEP 20



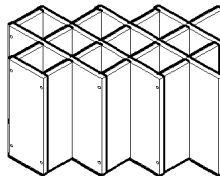
STEP 21



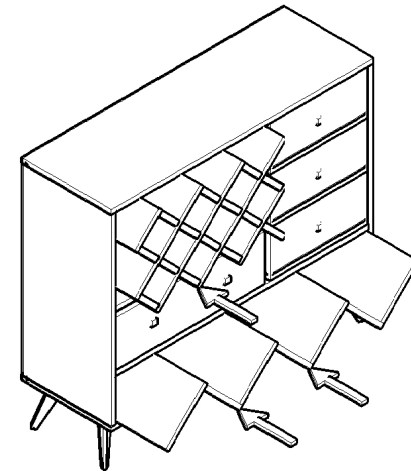
STEP 22



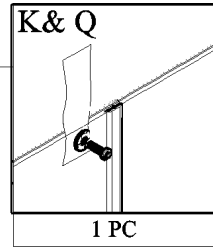
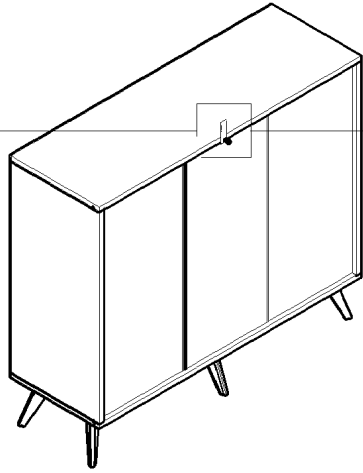
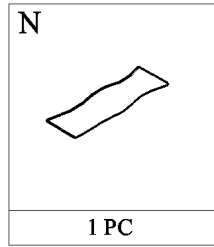
COMPLETED



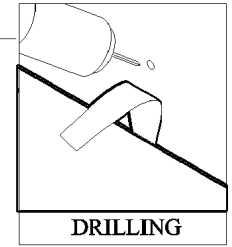
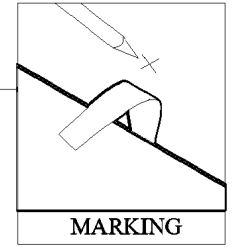
STEP 23



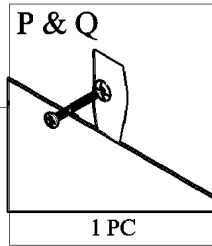
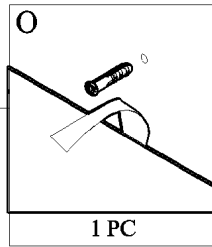
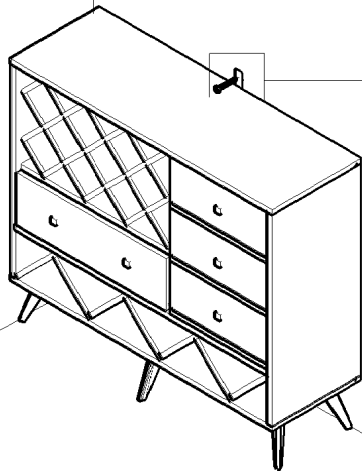
STEP 24 ANTI TIPPERS INSTALLATION



STEP 25



STEP 26



COMPLETED

