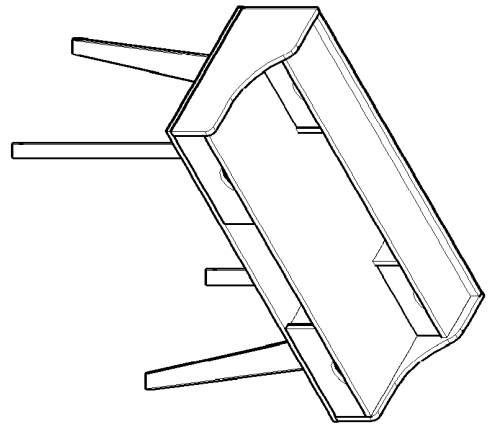
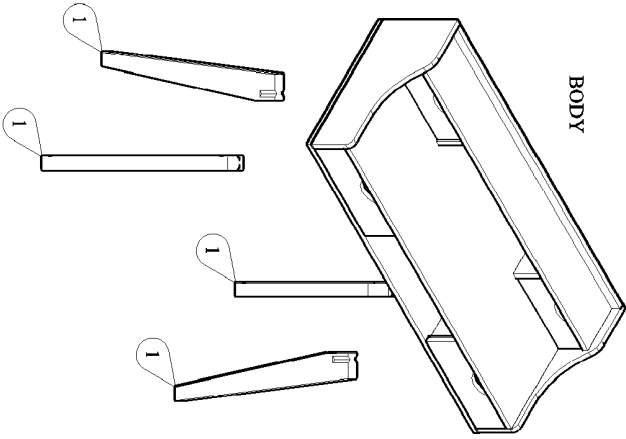






MODEL : SE SD 610-US

PANEL POSITION



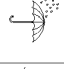



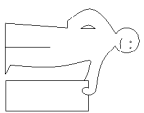
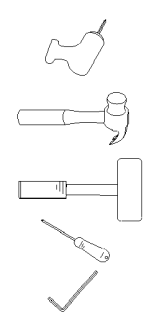
BODY



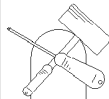
	ACCESSORIES	QUANTITY
A	 SCREW M7x50MM	12 PCS
B	 WHITE LEG PIN	4 PCS
C	 WIRE CAP	1 PC
D	 ALLEN KEY	1 PC

--	--

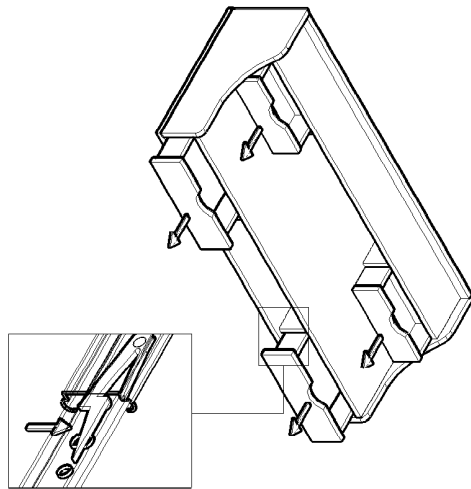
	<input checked="" type="checkbox"/>		<input checked="" type="checkbox"/>		<input checked="" type="checkbox"/>		<input checked="" type="checkbox"/>
CHEMICAL		HANDLE WITH CARE		KEEP DRY		HARD SURFACE	

	
---	---

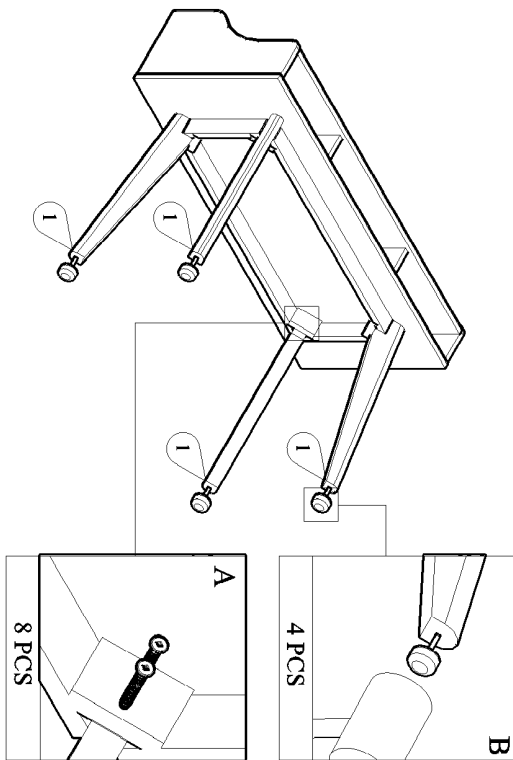
START ASSEMBLY



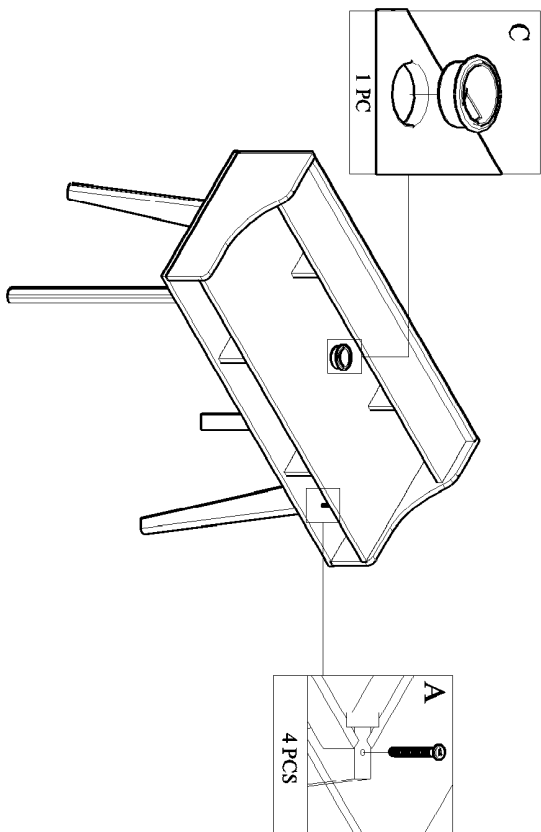
STEP 1



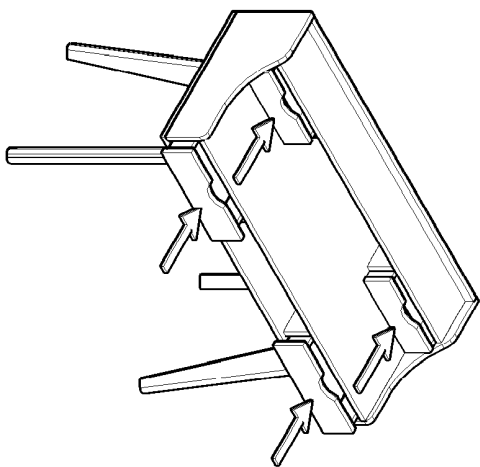
STEP 2



STEP 3



STEP 4



COMPLETE

