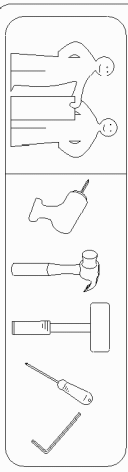
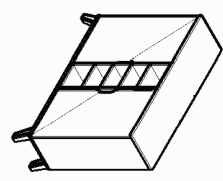
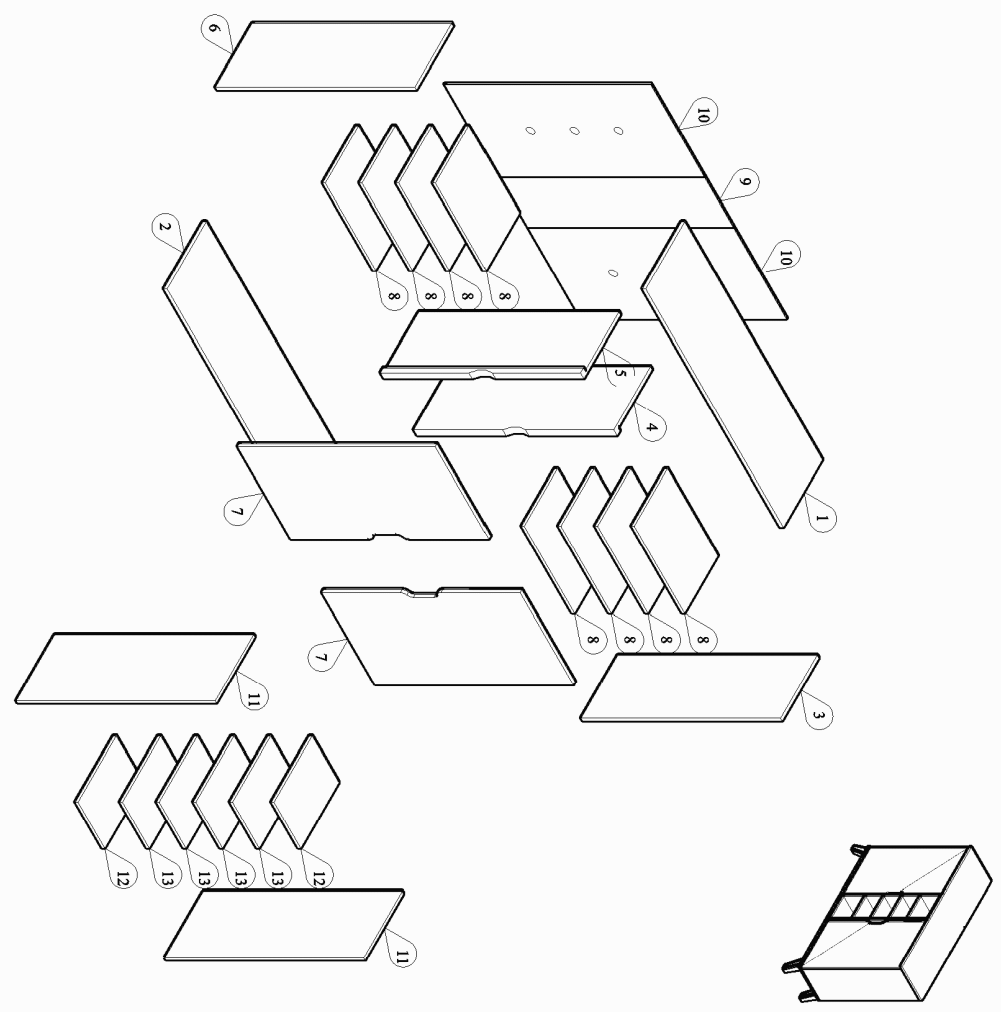


MODEL : SE SC 16105-HO-US

PANEL POSITION

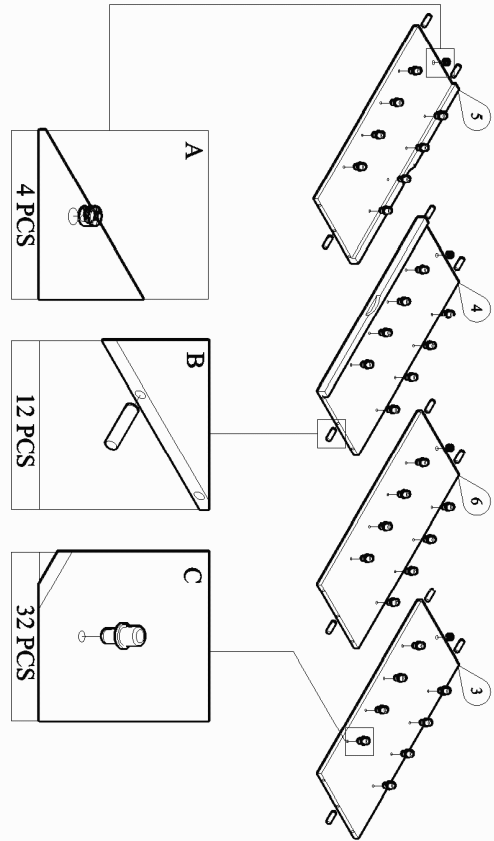


CHEMICAL	HANDLE WITH CARE	KEEP DRY	HARD SURFACE

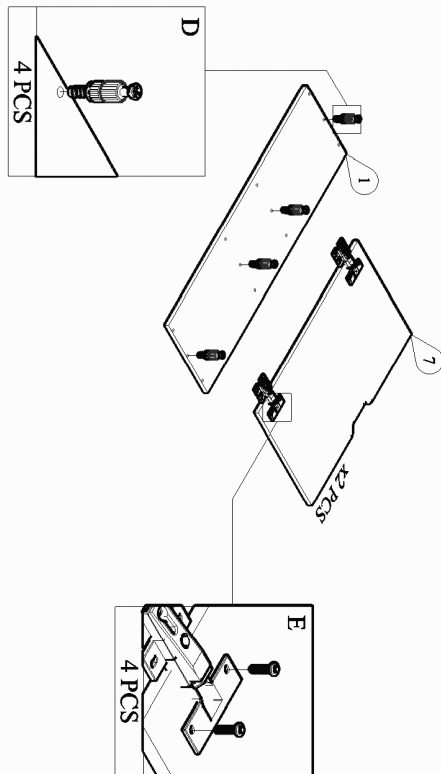
	ACCESSORIES	QUANTITY
A	MINIFIX CASING	4 PCS
B	WOOD DOWEL M8 x 30	12 PCS
C	IRON SHELF SUPPORT	48 PCS
D	MINIFIX M5 x 24	4 PCS
E	HINGES 5/8 SCREW M3.5 x 16	4 PCS 24 PCS
F	WOOD DOWEL M6 x 30	8 PCS
G	CAPWOOD M6 x 50	8 PCS
H	PVC LEG WHITE (138MM) SCREW M3.5 x 16	5 PCS 20 PCS
I	POWER PIN	50 PCS
J	ALLEN KEY	1 PC
K	L-BRACKET SCREW M3.5 x 16	1 PC 1 PC
L	WALL PLUG	1 PC
M	SCREW M4 x 28	1 PC

START ASSEMBLY

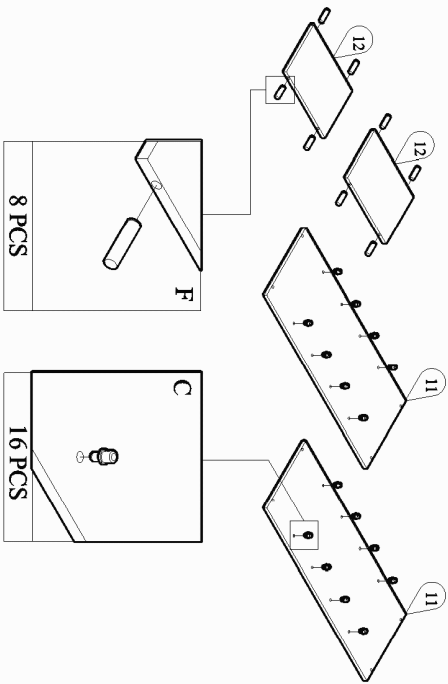
STEP 1



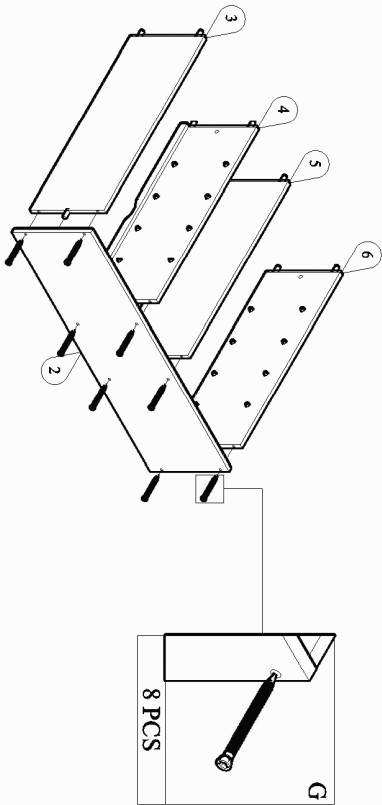
STEP 2



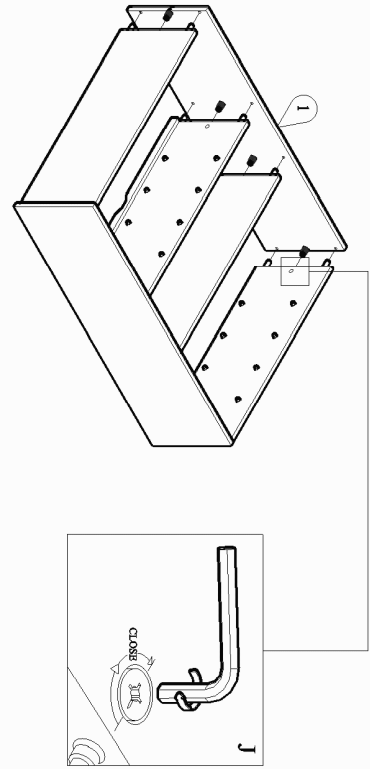
STEP 3



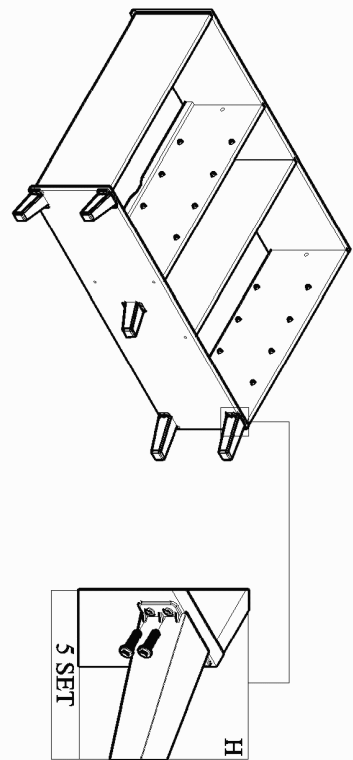
STEP 4



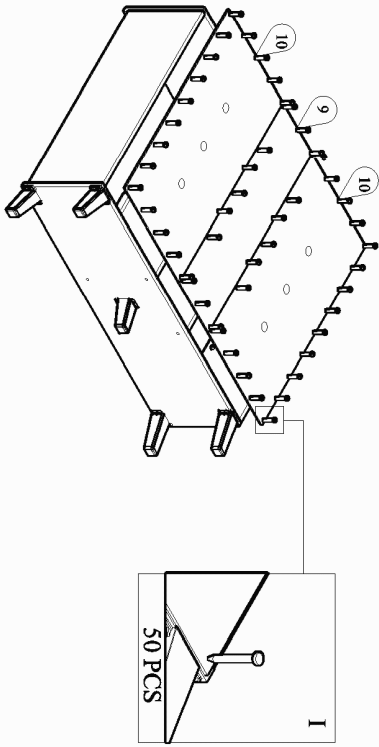
STEP 5



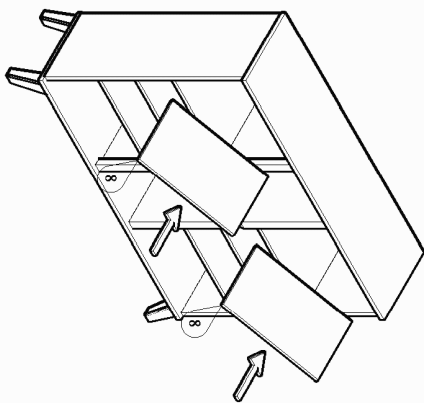
STEP 6



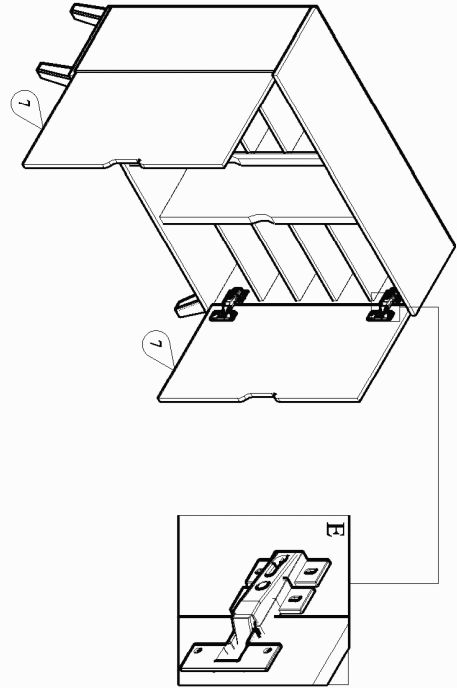
STEP 7



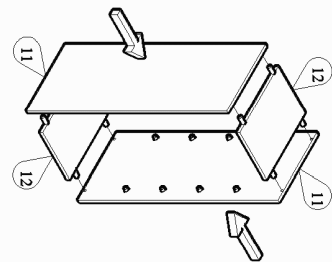
STEP 8



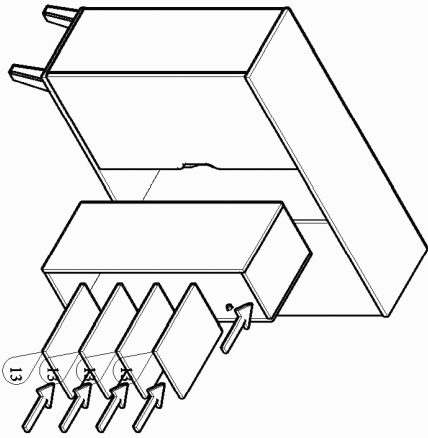
STEP 9



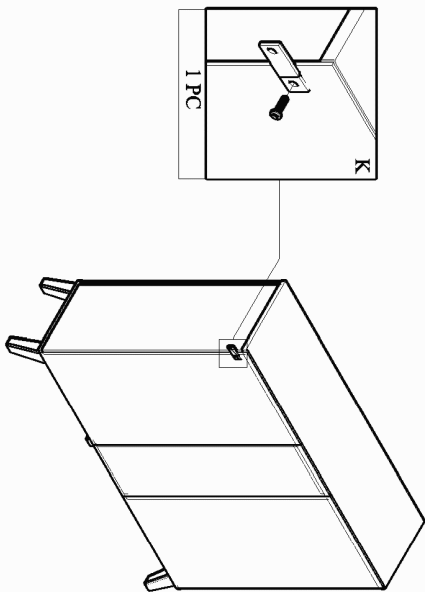
STEP 10



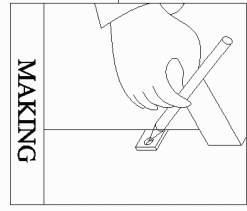
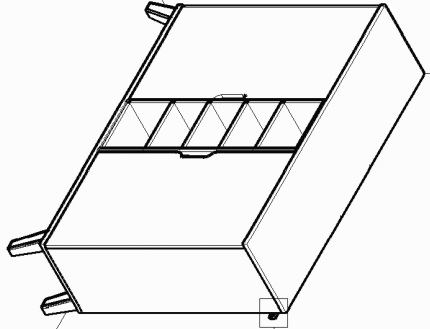
STEP 11



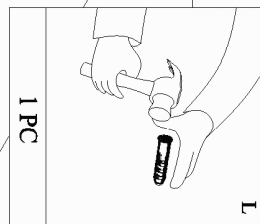
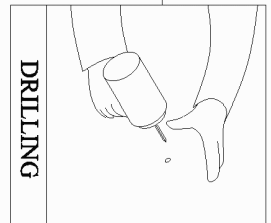
STEP 12



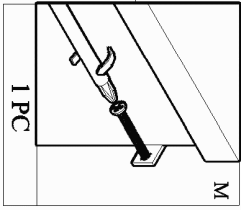
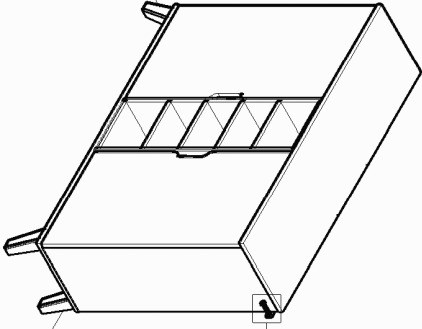
STEP 13



STEP 14



STEP 15



COMPLETED

