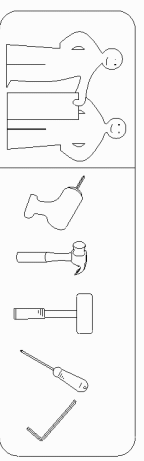
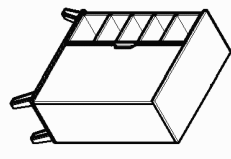
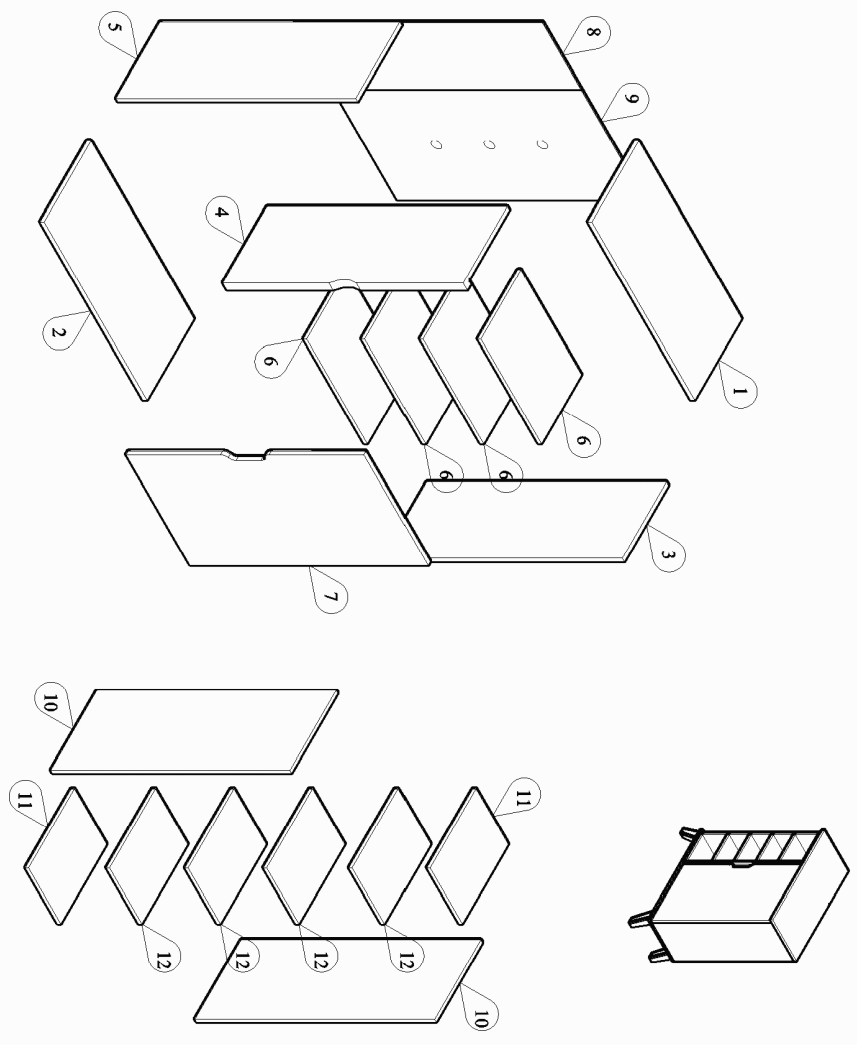


MODEL = SE SC 16104-HO-US

PANEL POSITION

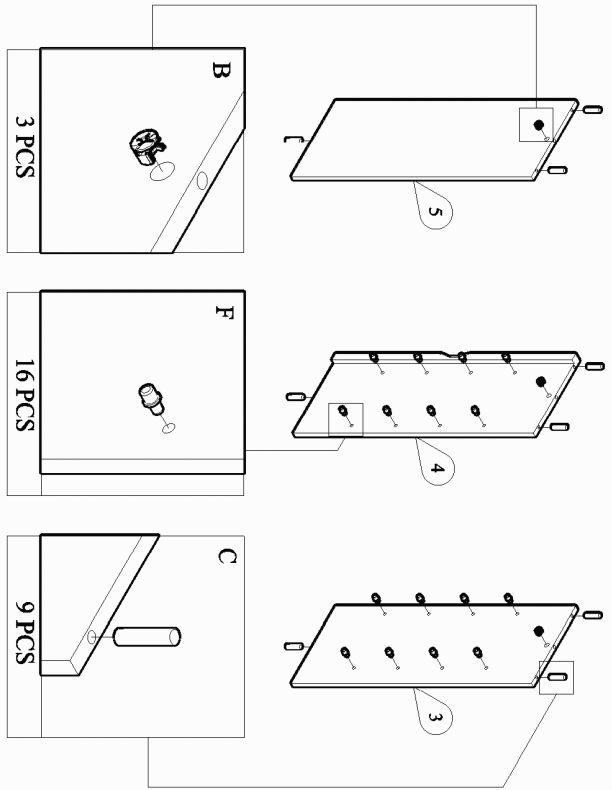


CHEMICAL	<input checked="" type="checkbox"/>	HANDLE WITH CARE	<input checked="" type="checkbox"/>	KEEP DRY	<input checked="" type="checkbox"/>	HARD SURFACE	<input checked="" type="checkbox"/>
----------	-------------------------------------	------------------	-------------------------------------	----------	-------------------------------------	--------------	-------------------------------------

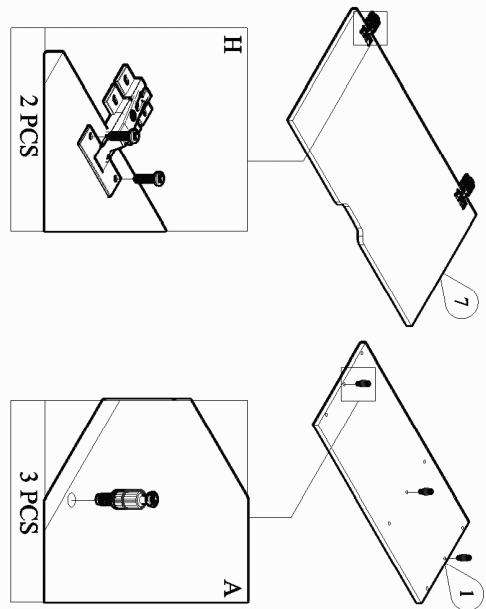
	ACCESSORIES	QUANTITY
A	MINIFIX M5 x 24	3 PCS
B	CASING	3 PCS
C	WOOD DOWEL M8 x 30	9 PCS
D	WOOD DOWEL M6 x 30	8 PCS
E	CAPWOOD M6 x 50	6 PCS
F	IRON SHELF SUPPORT	32 PCS
G	POWER PIN	35 PCS
H	HINGES 5/8 SCREW M3.5 x 16	2 PCS 12 PCS
I	PVC LEG WHITE (138MM) SCREW M3.5 x 16	5 PCS 20 PCS
J	ALLEN KEY	1 PC
K	L-BRACKET SCREW M3.5 x 16	1 PC 1 PC
L	SCREW M4 x 28	1 PC
M	WALL PLUG	1 PC

START ASSEMBLY

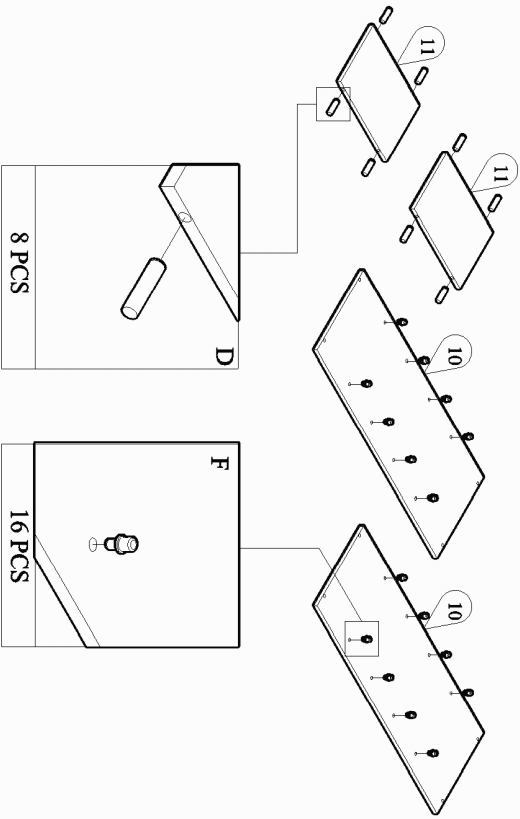
STEP 1



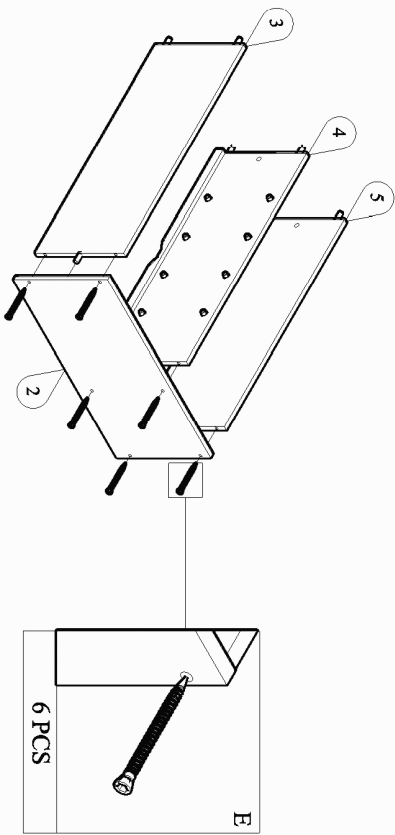
STEP 2



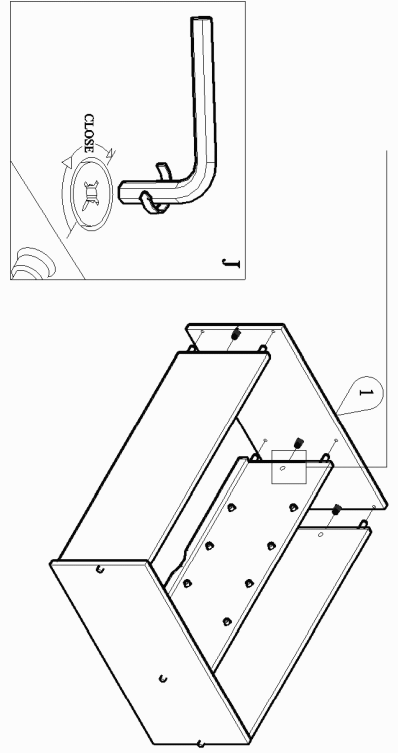
STEP 3



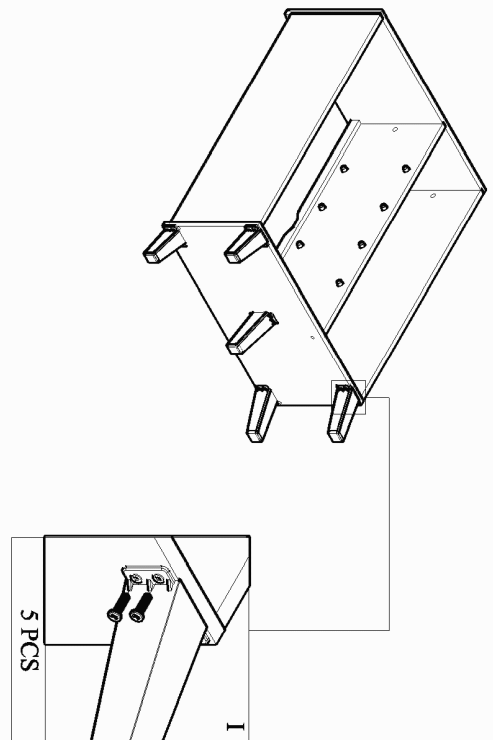
STEP 4



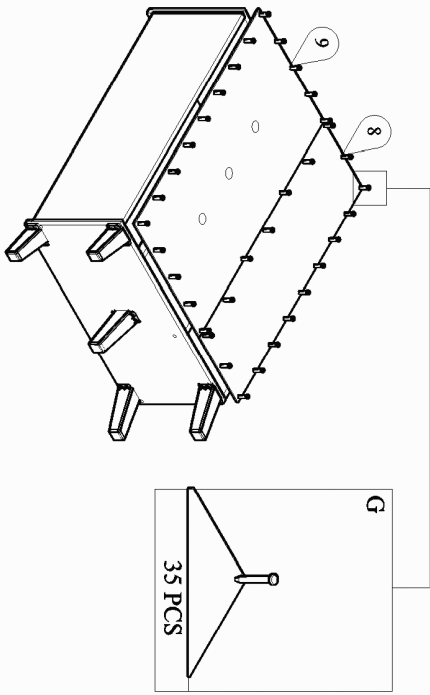
STEP 5



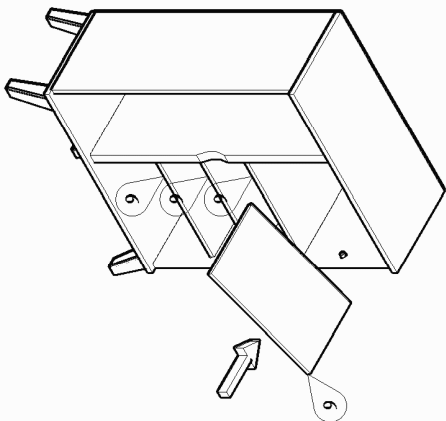
STEP 6



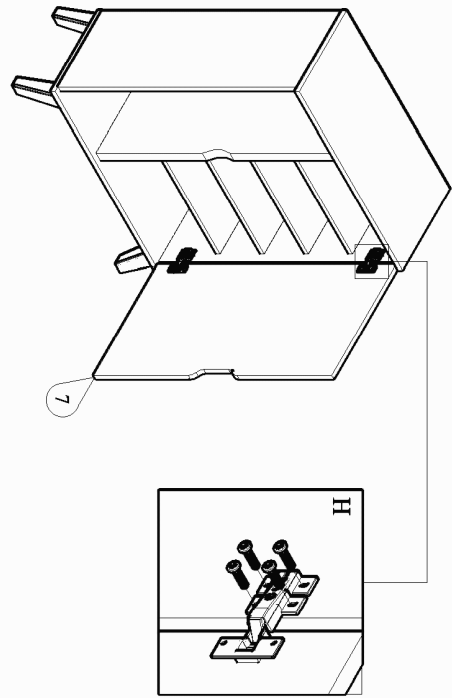
STEP 7



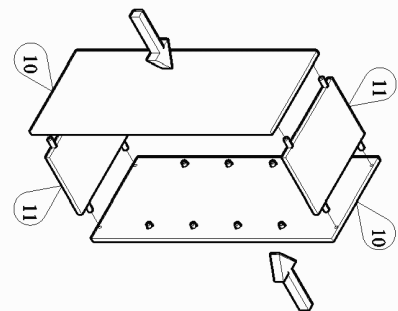
STEP 8



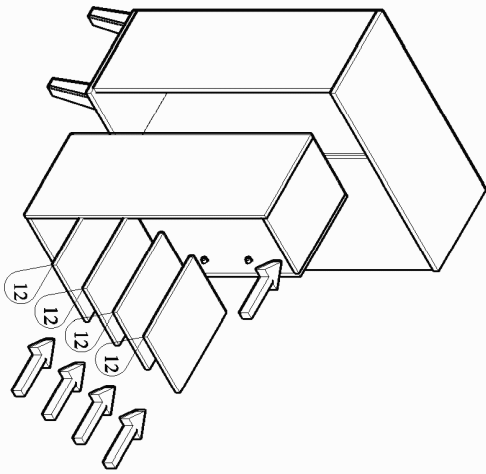
STEP 9



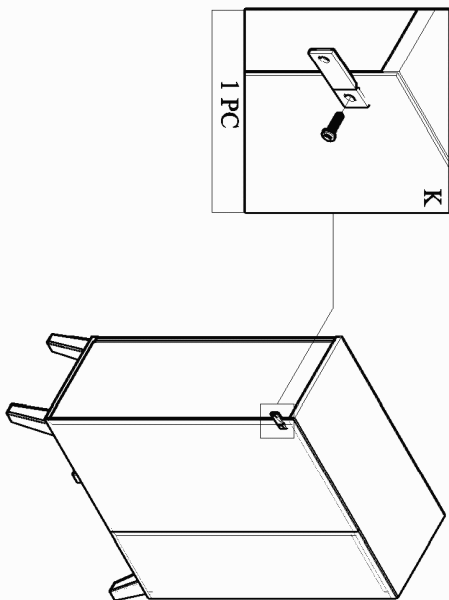
STEP 10



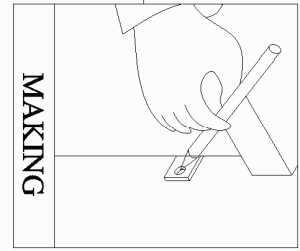
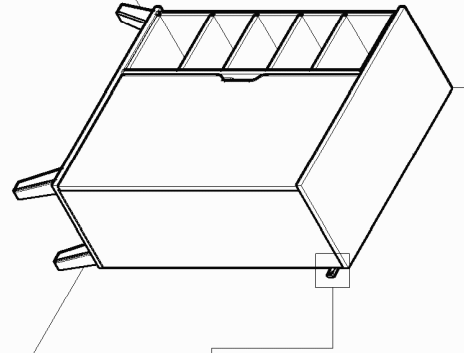
STEP 11



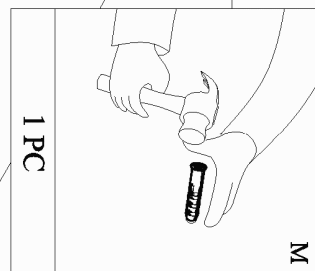
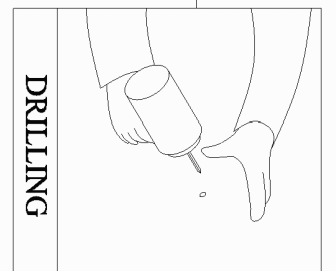
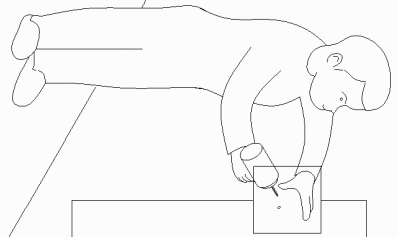
STEP 12



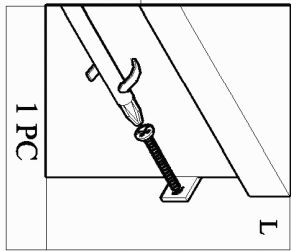
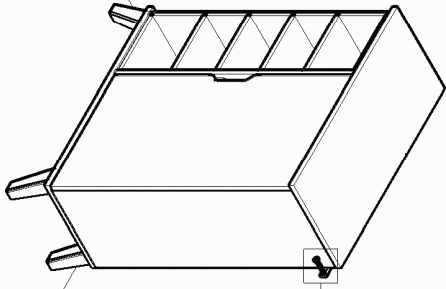
STEP 13



STEP 14



STEP 15



COMPLETED

