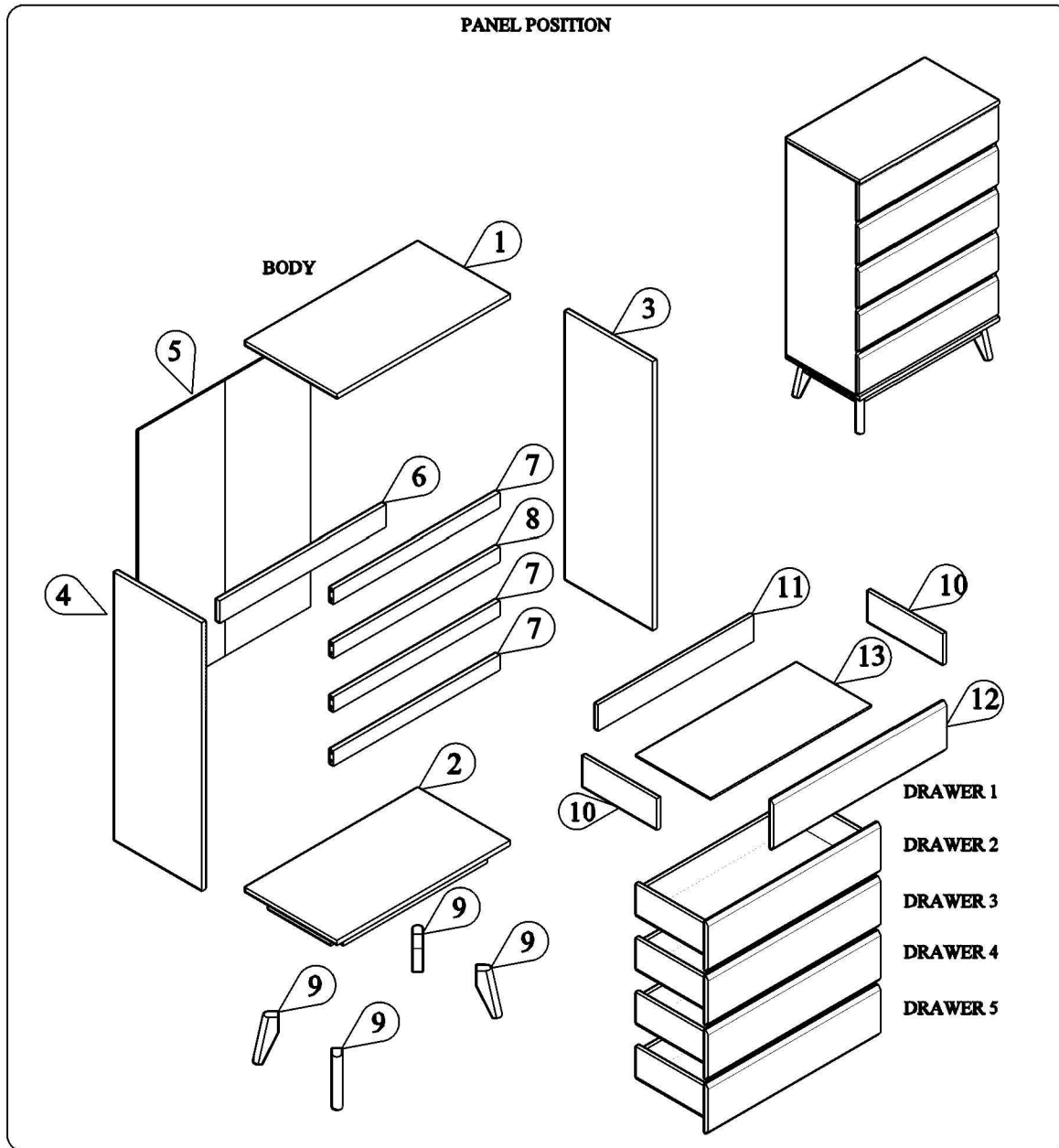




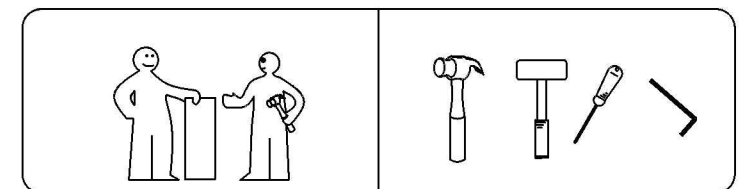
MODEL : SE COD 5014US-HO/DG

PANEL POSITION

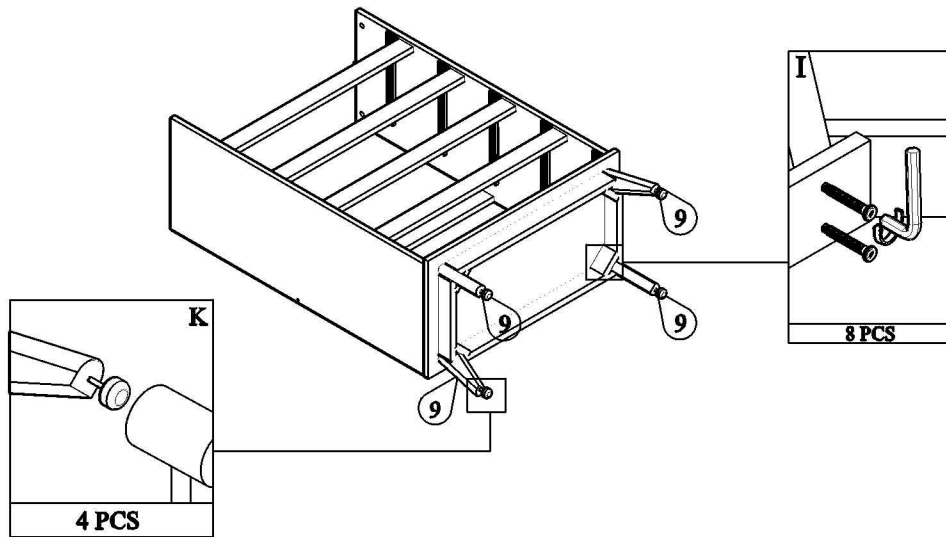


	ACCESSORIES	QUANTITY
A	WOOD DOWEL M6 x 30MM	18 PCS
B	MINIFIX M5 x 24MM	4 PCS
C	MINIFIX CASING	4 PCS
D	DRAWER SLIDE 14" SCREW M3.5 x 12MM	5 SETS 60 PCS
E	SCREW M4 x 38MM	40 PCS
F	CPWOOD SCREW M6 x 50MM	8 PCS
G	SCREW CAP	4 PCS
H	POWER PIN	80 PCS
I	JCBC SCREW M7 x 50MM	8 PCS
J	WOOD DOWEL M8 x 30MM	4 PCS
K	WHITE LEG PIN	4 PCS
L	PVC H RAIL	1 PC
M	WALL HANGER SCREW M3.5 x 16	1 PC 1 PC
N	WALL PLUG	1 PC
O	SCREW M4 x 28	1 PC
P	ALLEN KEY	1 PC

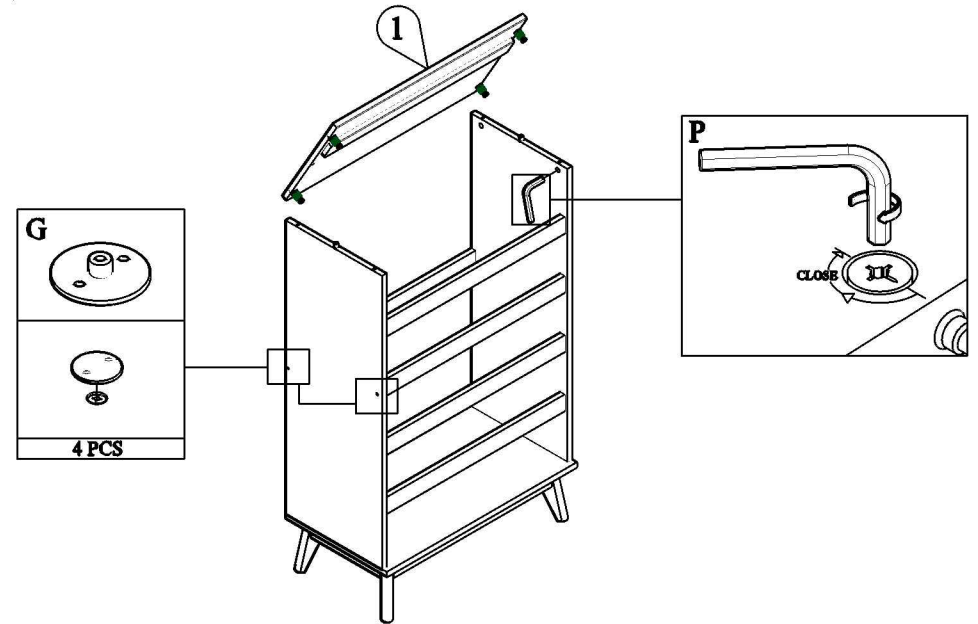
CHEMICAL		HANDLE WITH CARE		KEEP DRY		HARD SURFACE	



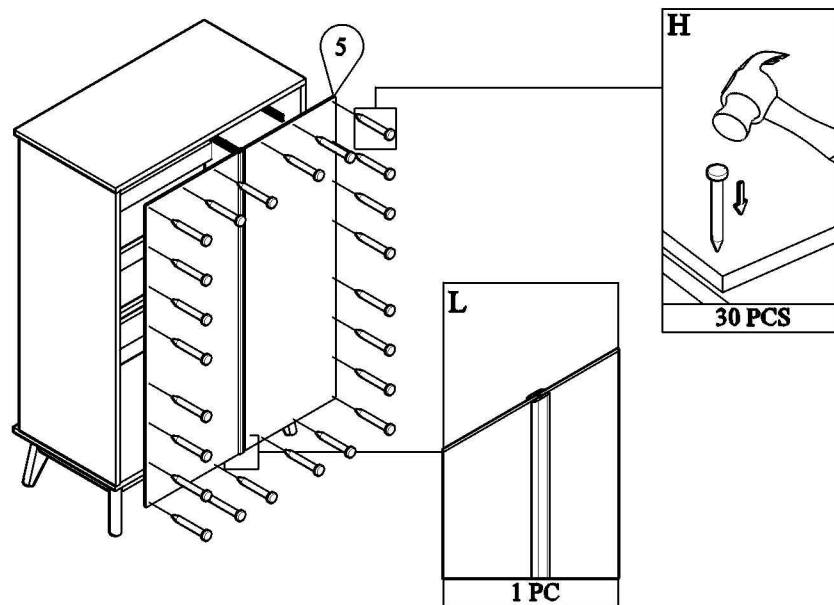
STEP 5



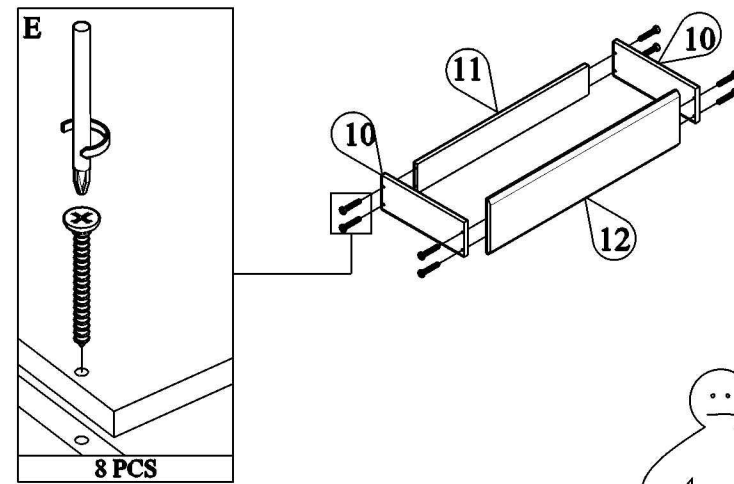
STEP 6

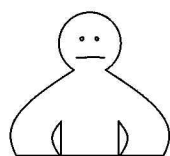


STEP 7

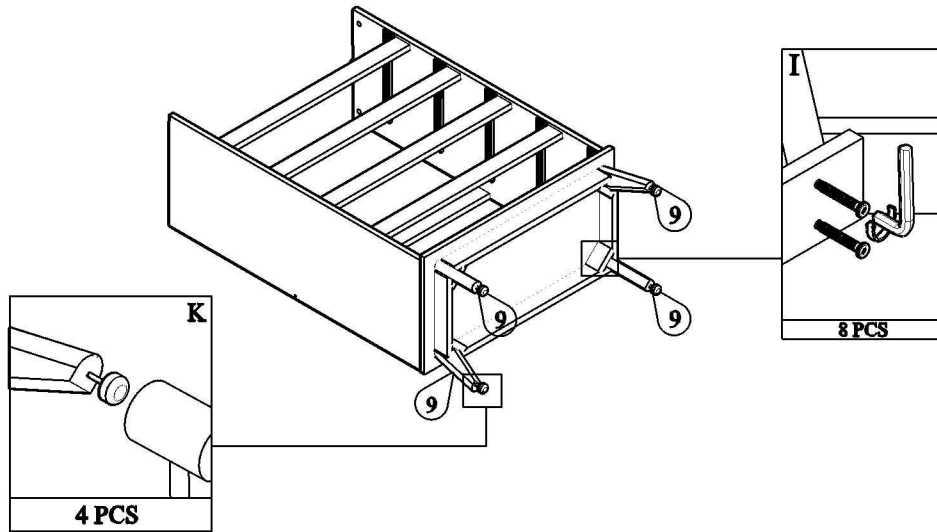


STEP 8

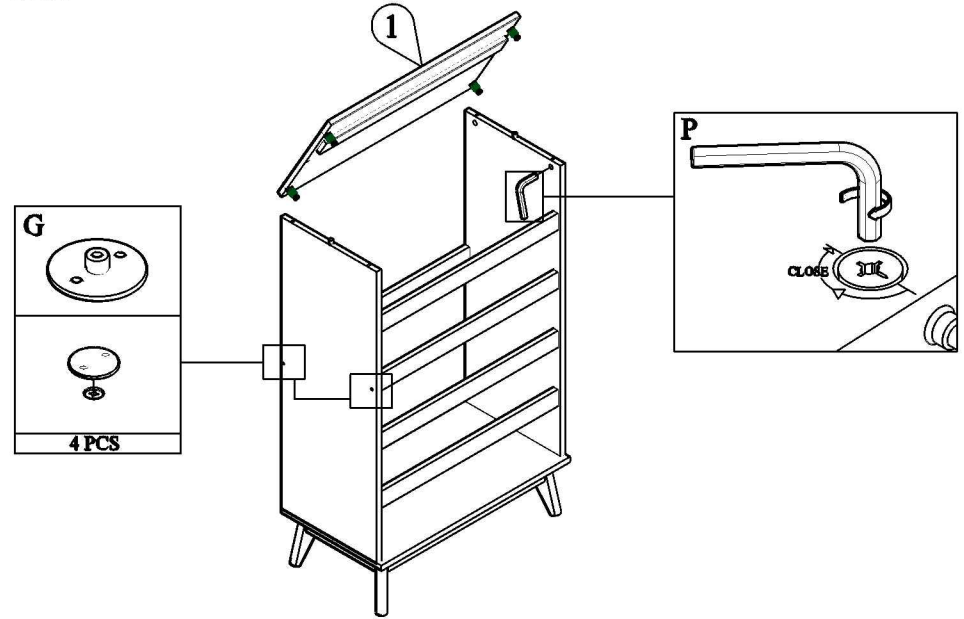



REPEAT FOR DRAWER 5 SETS

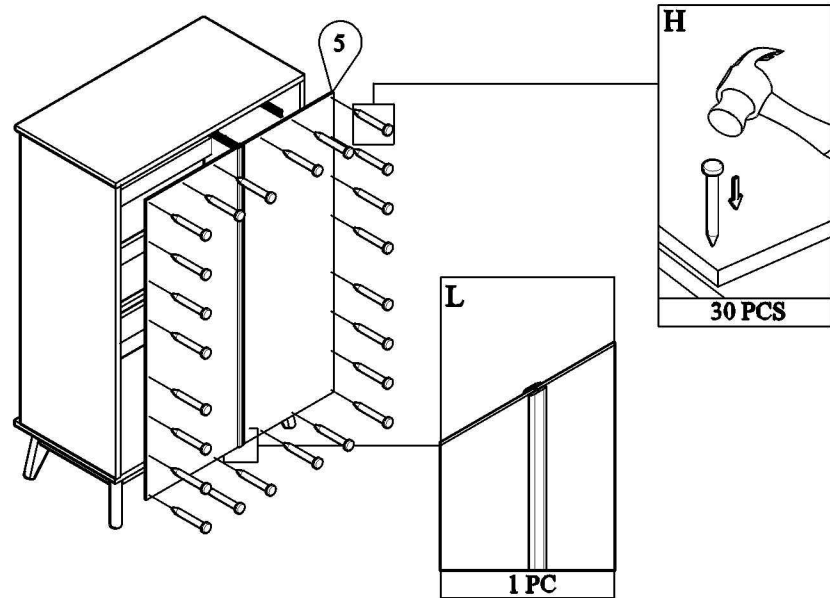
STEP 5



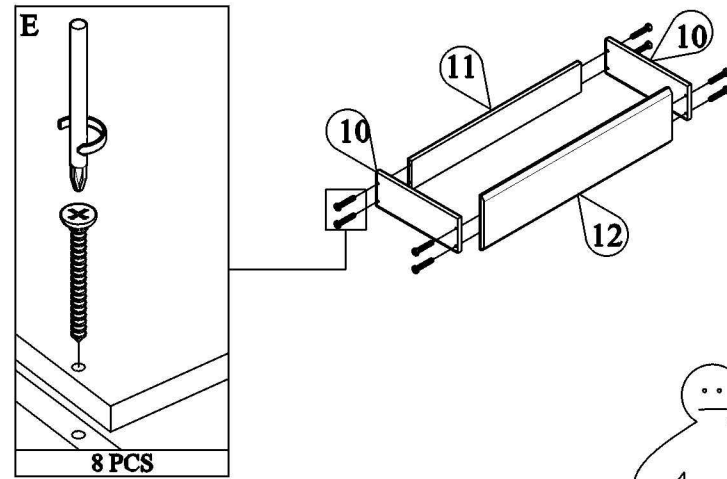
STEP 6

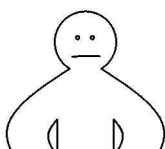


STEP 7

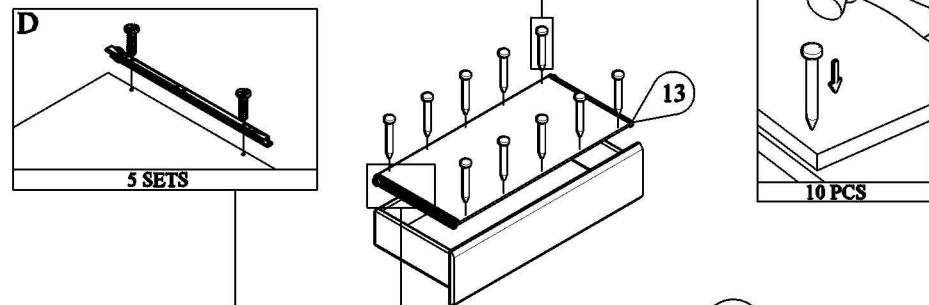


STEP 8



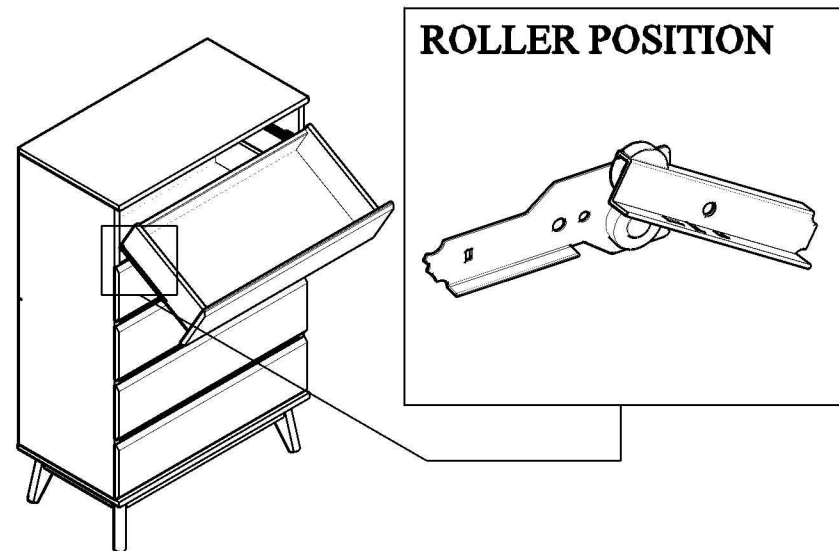

REPEAT FOR DRAWER 5 SETS

STEP 9

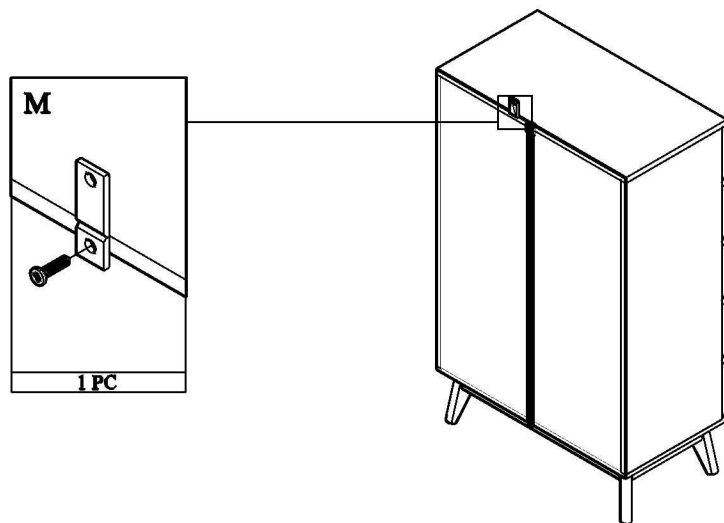


REPEAT FOR DRAWER 5 SETS

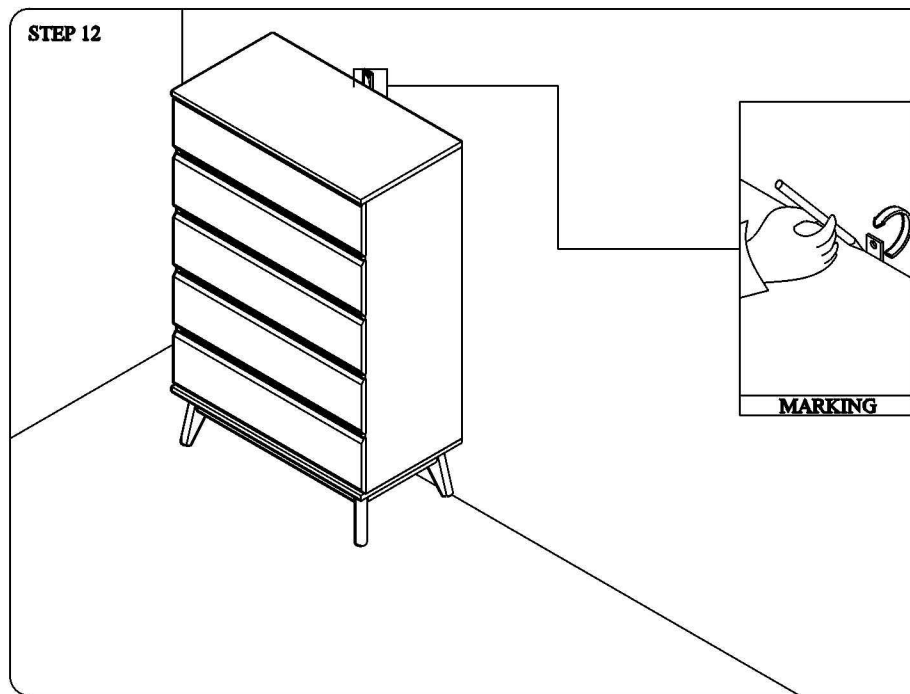
STEP 10



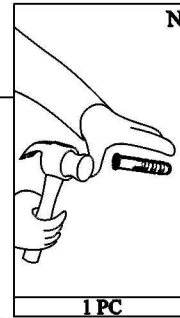
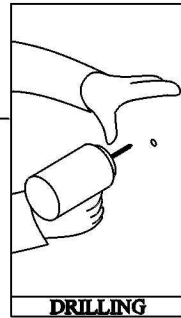
STEP 11



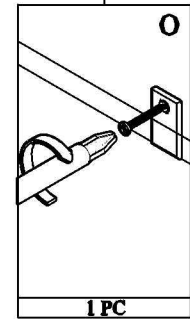
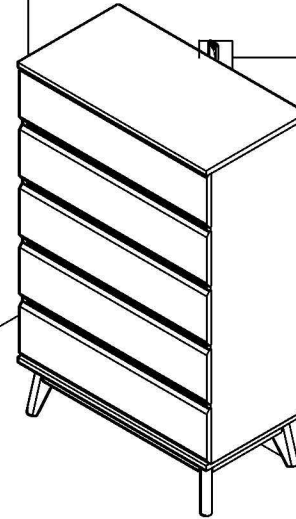
STEP 12



STEP 13



STEP 14



COMPLETED

