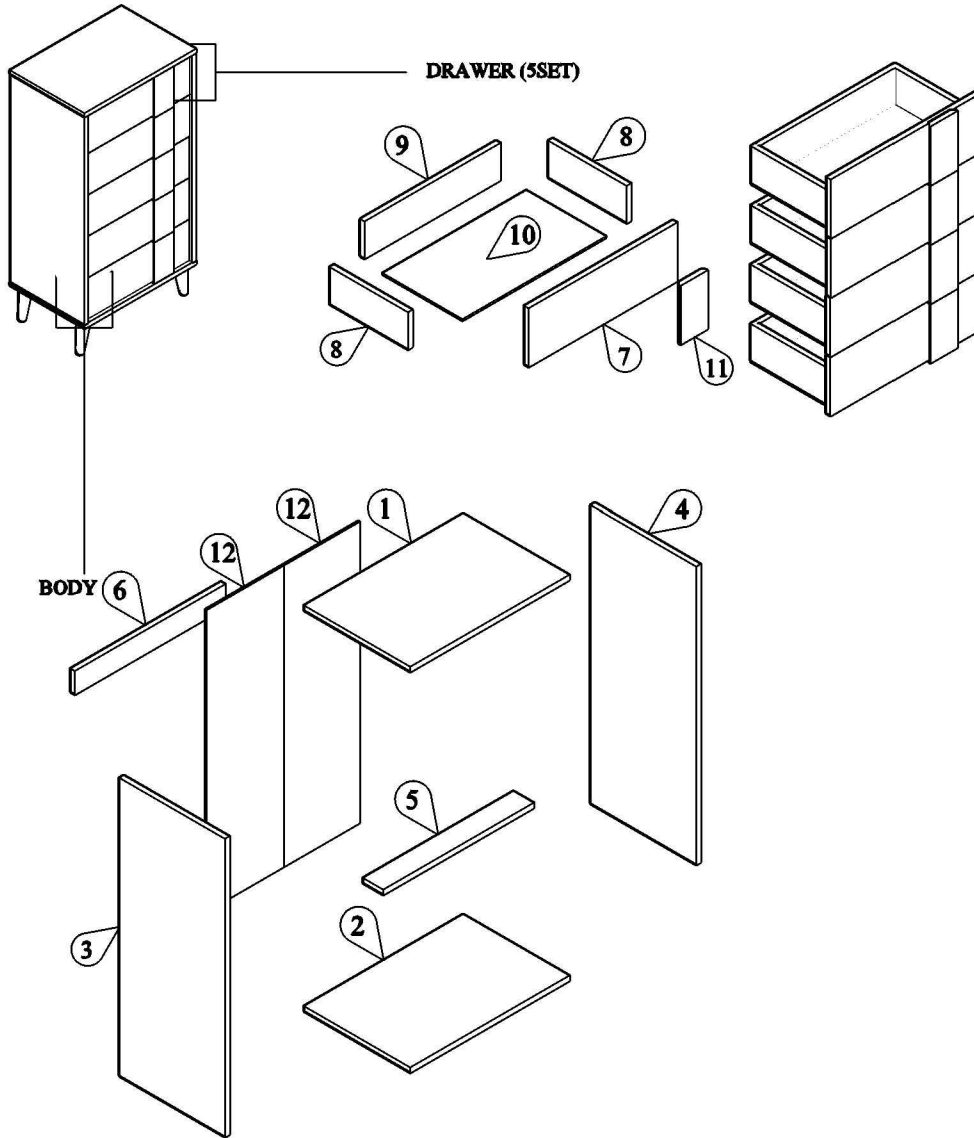


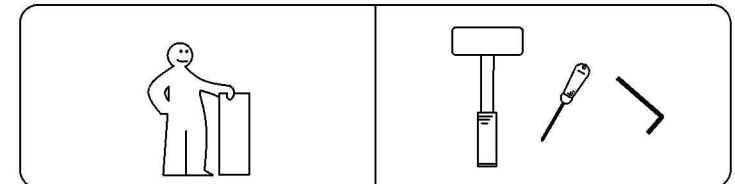
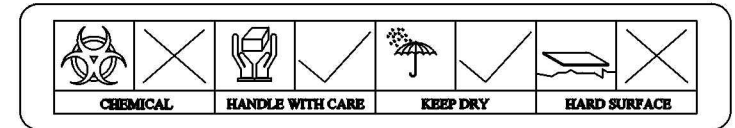


**MODEL : SE COD 305US-HO/DG**

**PANEL POSITION**



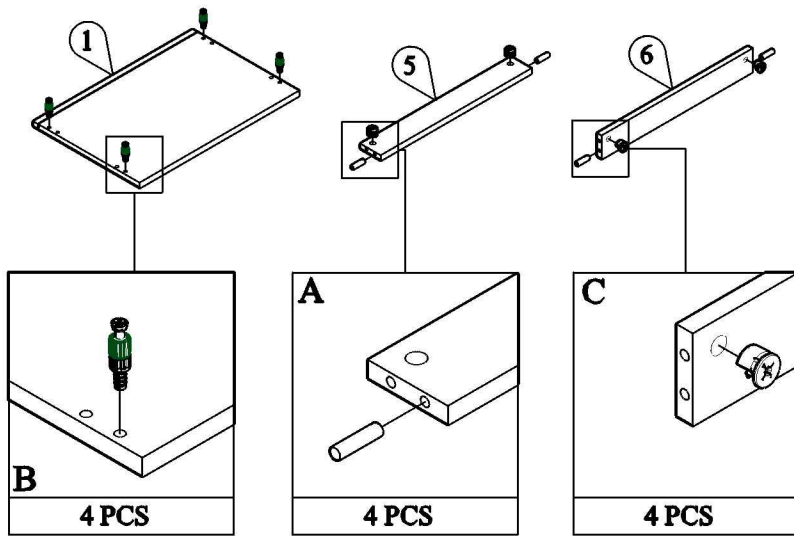
	ACCESSORIES	QUANTITY
A	WOOD DOWEL M8 x 30MM	28 PCS
B	MINIFIX M5 x 24MM	18 PCS
C	MINIFIX CASING	18 PC
D	DRAWER SLIDE 12" SCREW M3.5 x 12MM	5 SETS 60 PCS
E	ROUND TAPER LEG SCREW M3.5x16MM	4 PCS 16 PCS
F	CPWOOD SCREW M6 x 50MM	4 PCS
G	PVC H RAIL	1 PC
H	WALL HANGER SCREW M3.5 x 16MM	1 PC 1 PC
I	POWER PIN	25 PCS
J	SCREW M4 x 38MM	20 PCS
K	WALL PLUG	1 PC
L	SCREW M4 x 28MM	11 PCS
M	STUB SCREW M3 x 20MM (SV)	4 PCS 4 PCS
N	ALLEN KEY	1 PC



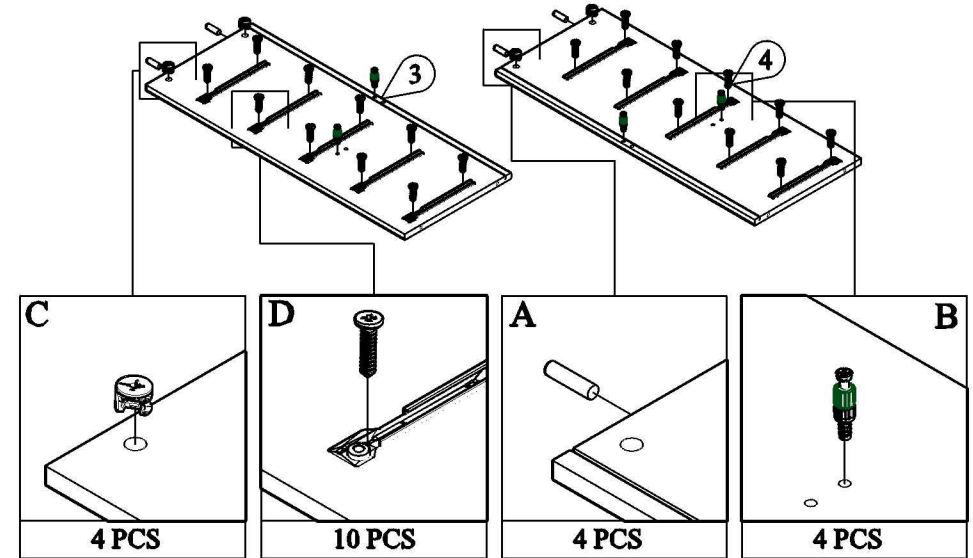


# START ASSEMBLY

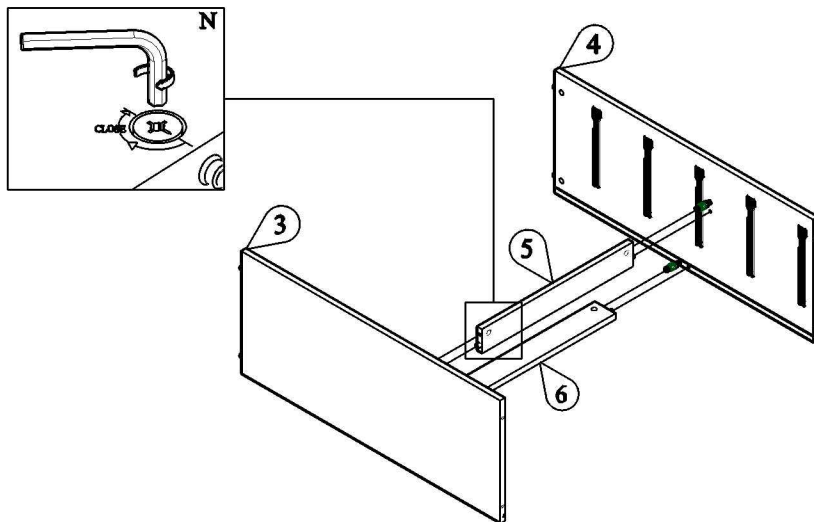
## STEP 1



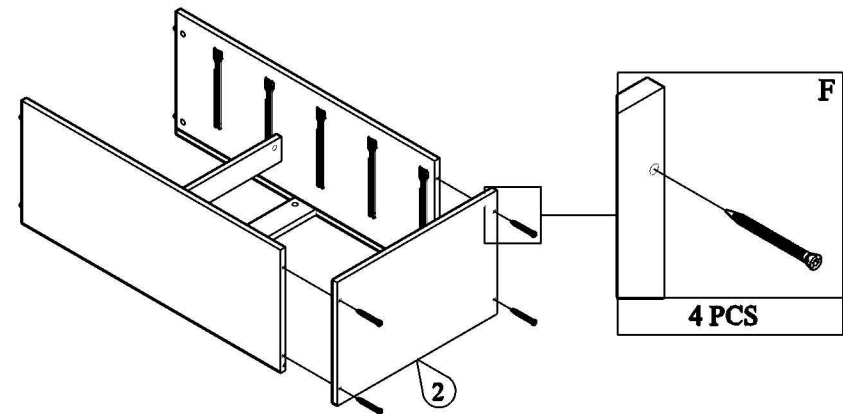
## STEP 2



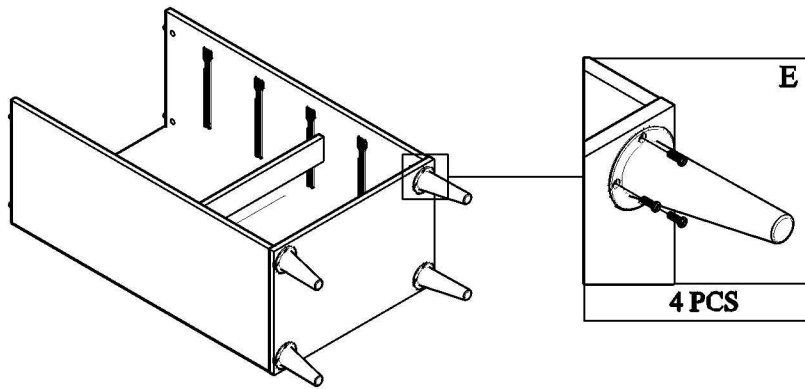
## STEP 3



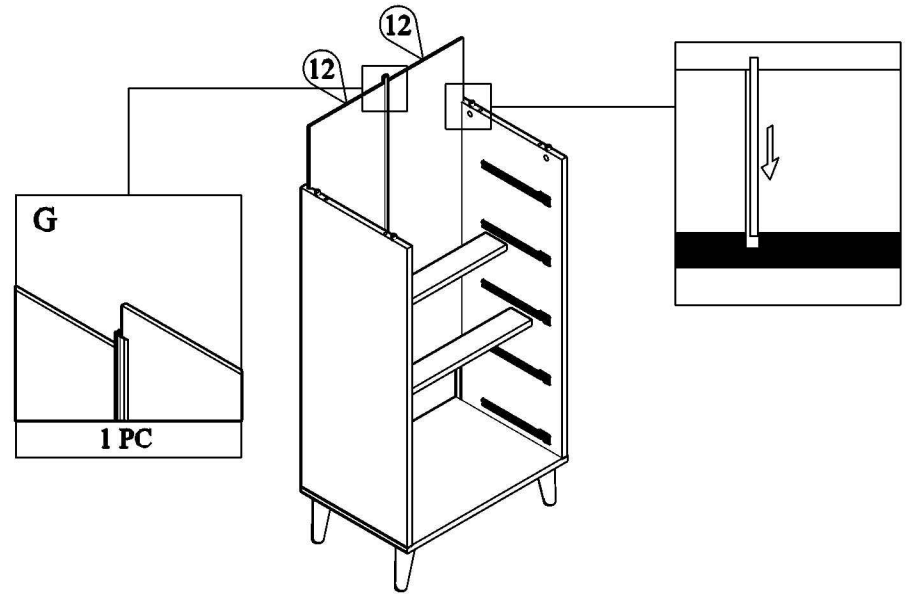
## STEP 4



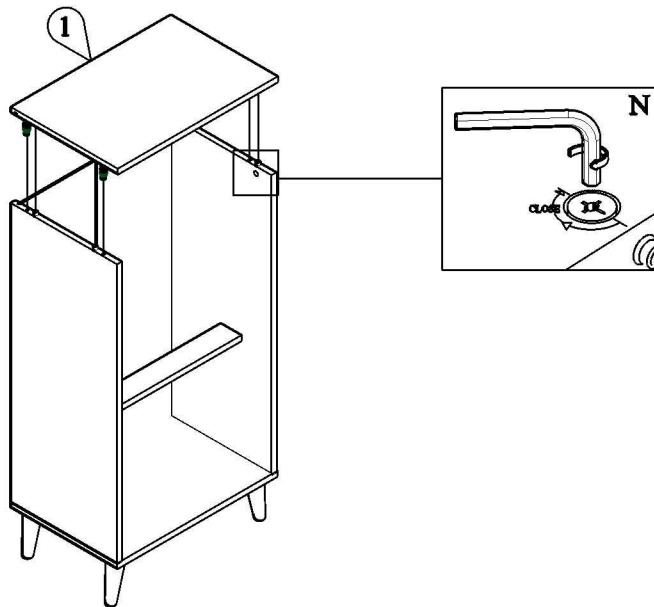
**STEP 5**



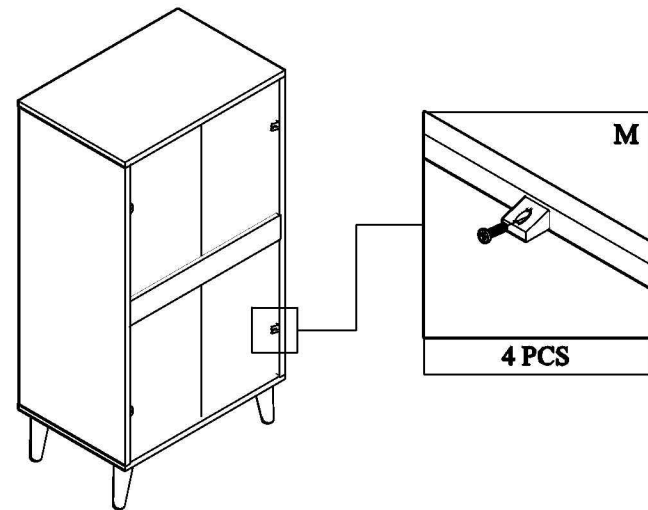
**STEP 6**



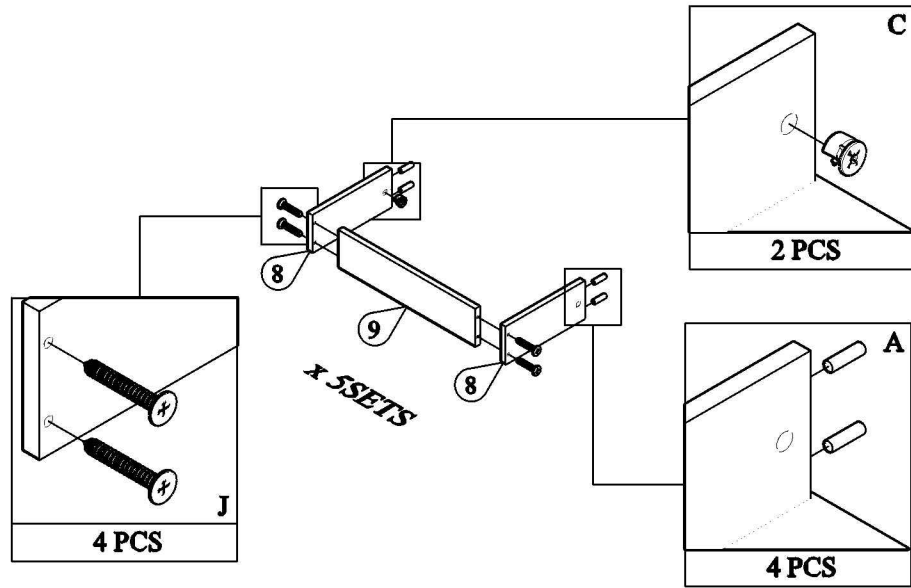
**STEP 7**



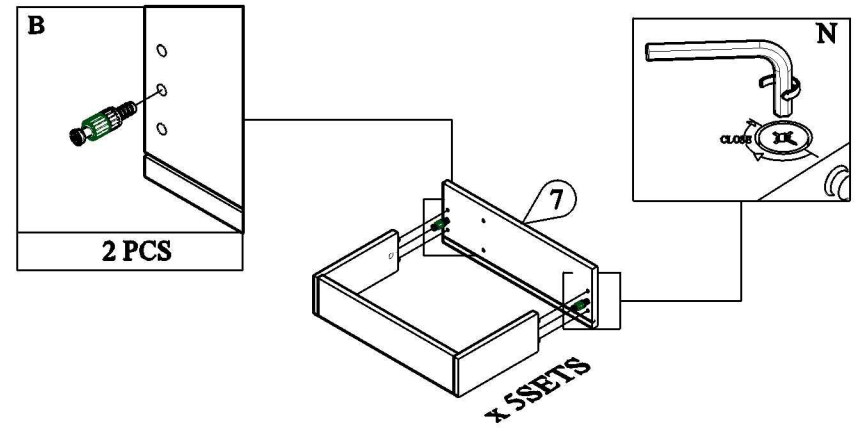
**STEP 8**



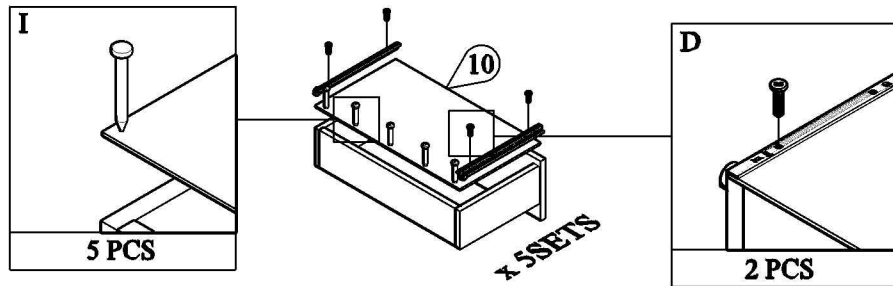
STEP 9



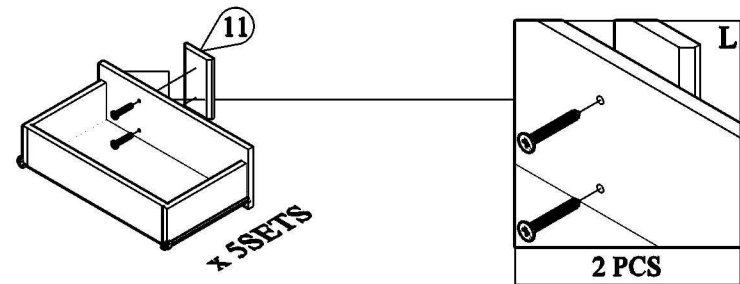
STEP 10



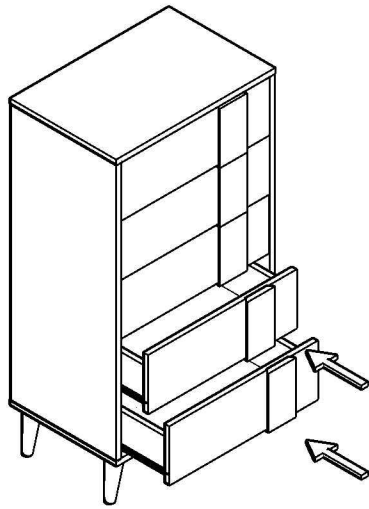
STEP 11



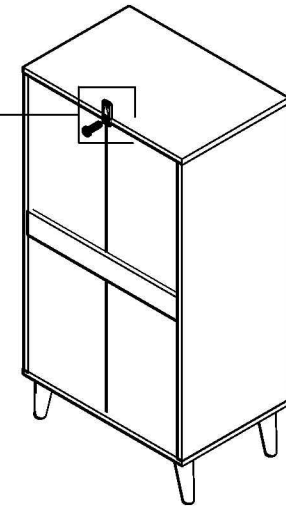
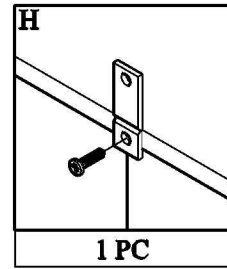
STEP 12



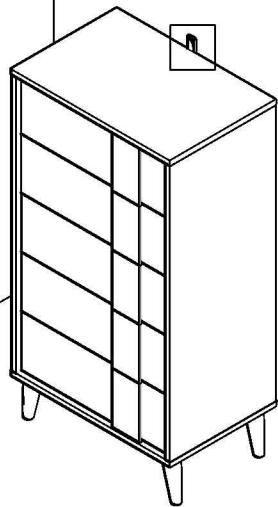
STEP 13



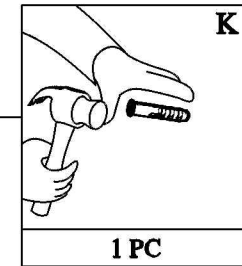
STEP 14



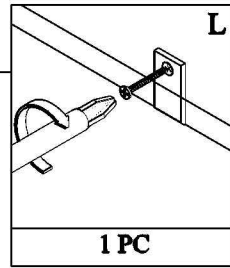
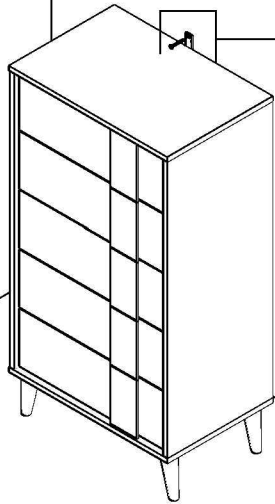
STEP 15



STEP 16



**STEP 17**



**COMPLETED**

