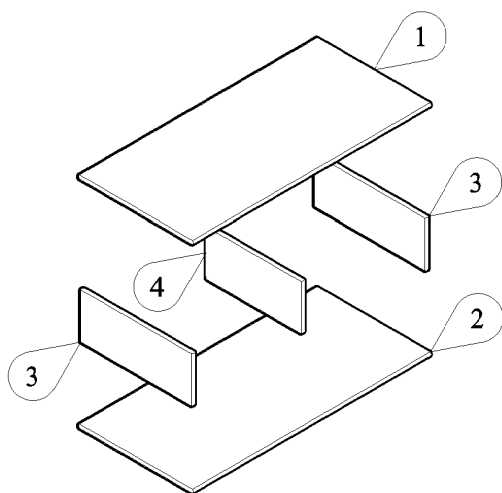
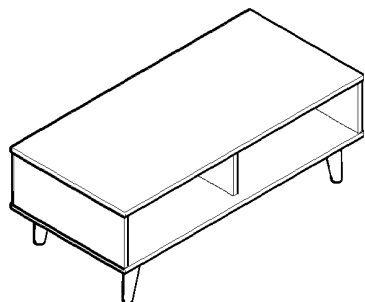


MODEL : SE CFT 3001 US-CLB/DG

PANEL POSITION



	ACCESSORIES	QUANTITY
A	WOOD DOWEL M8x30MM	8 PCS
B	MINIFIX CASING	6 PCS
C	MINIFIX M5x24MM	6 PCS
D	CPWOOD SCREW M6x50MM	6 PCS
E	PVC LEG SCREW M3.5x16MM	5 PCS 20 PCS
F	ALLEN KEY	1 PC

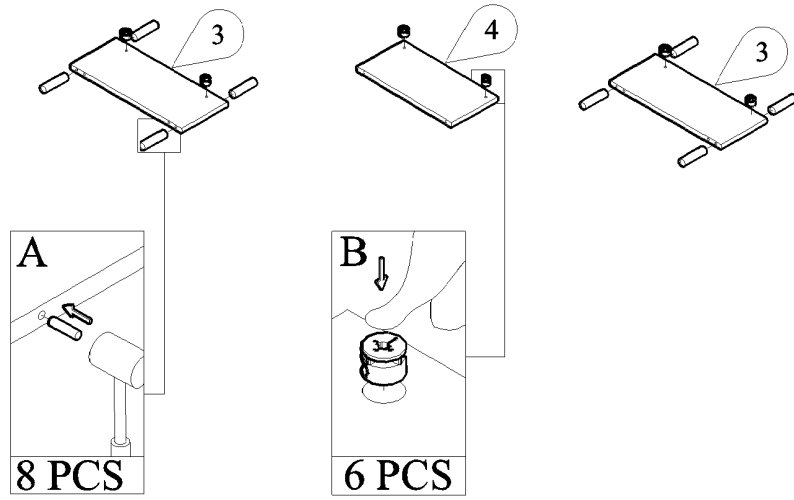
CHEMICAL		HANDLE WITH CARE		KEEP DRY		HARD SURFACE

--	--

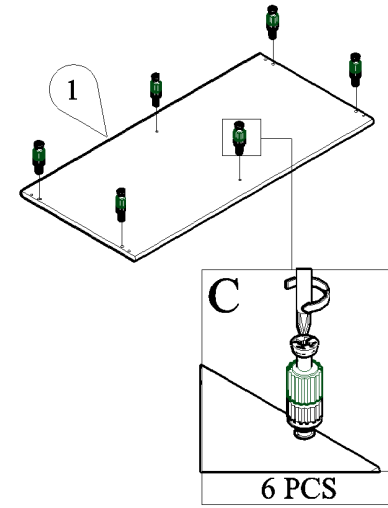


START ASSEMBLY

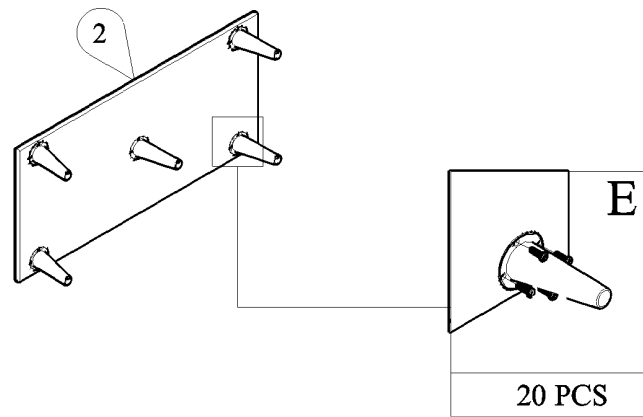
STEP 1



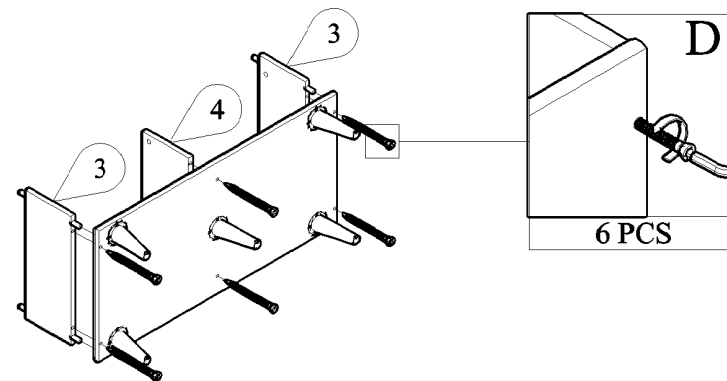
STEP 2



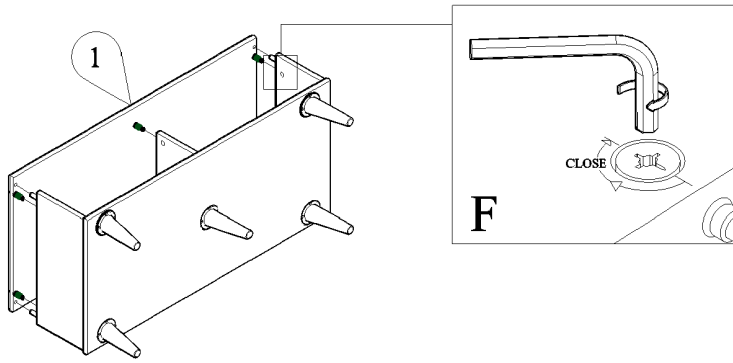
STEP 3



STEP 4



STEP 5



COMPLETED

