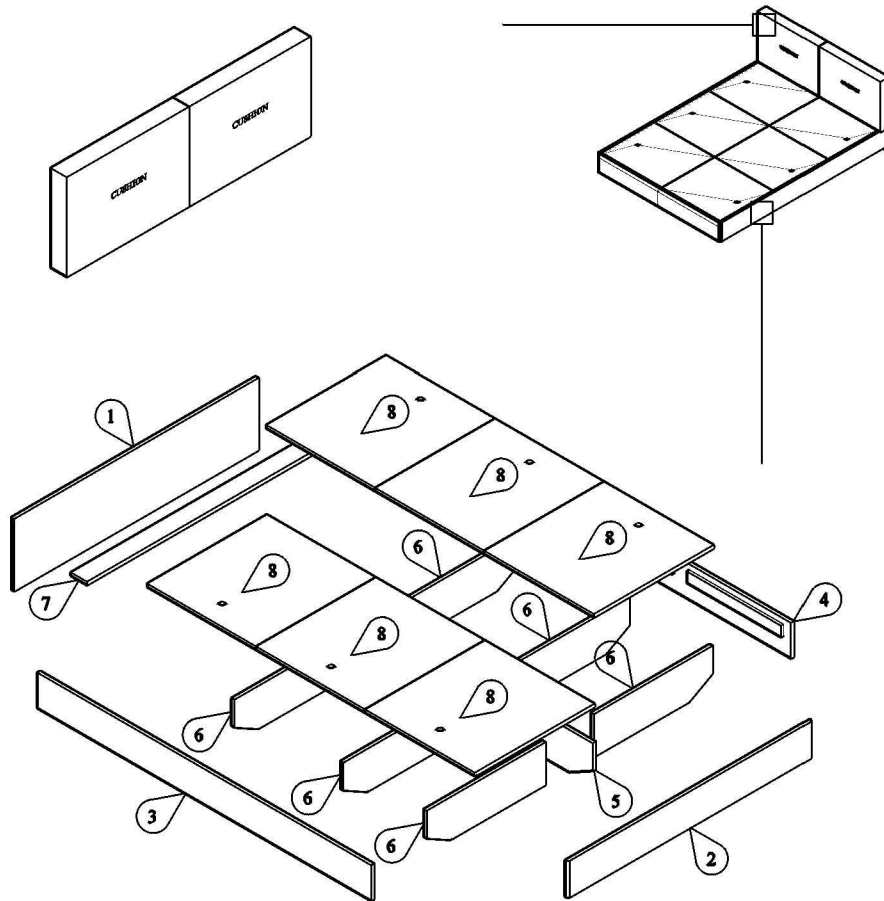










# MODEL : SE BD 11001025US-CLB

## PANEL POSITION



	ACCESSORIES	QUANTITY
A	 MINIFIX M5 x 24MM	11 PCS
B	 MINIFIX M7 x 64MM	3 PCS
C	 MINIFIX CASING	17 PCS
D	 WOOD DOWEL M8 x 30MM	34 PCS
E	 SCREW M4 x 38MM	12 PCS
F	 SCREW M7x50MM	9 PCS
G	 LEG NAIL WHITE PIN	18 PCS
H	 ALLEN KEY	1 PC



CHEMICAL



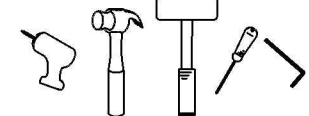
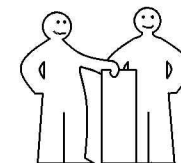
HANDLE WITH CARE

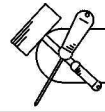


KEEP DRY



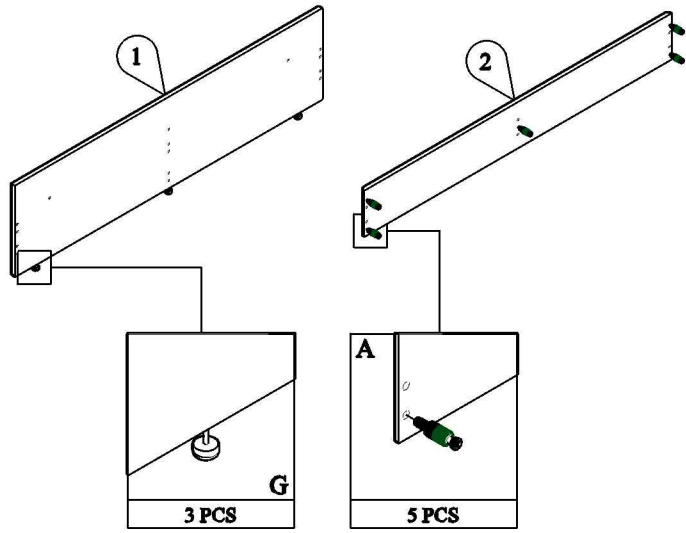
HARD SURFACE



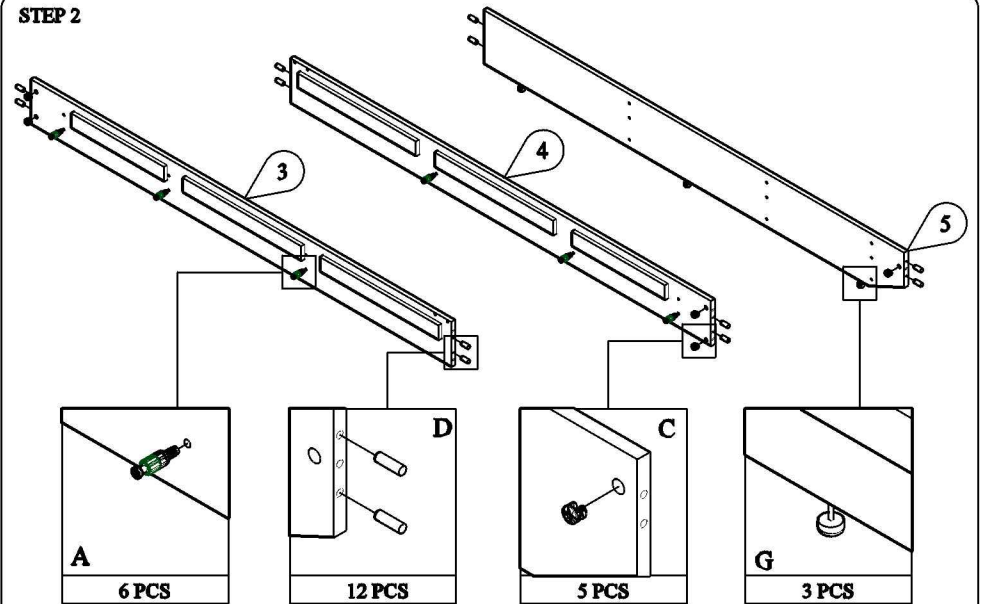


# START ASSEMBLY

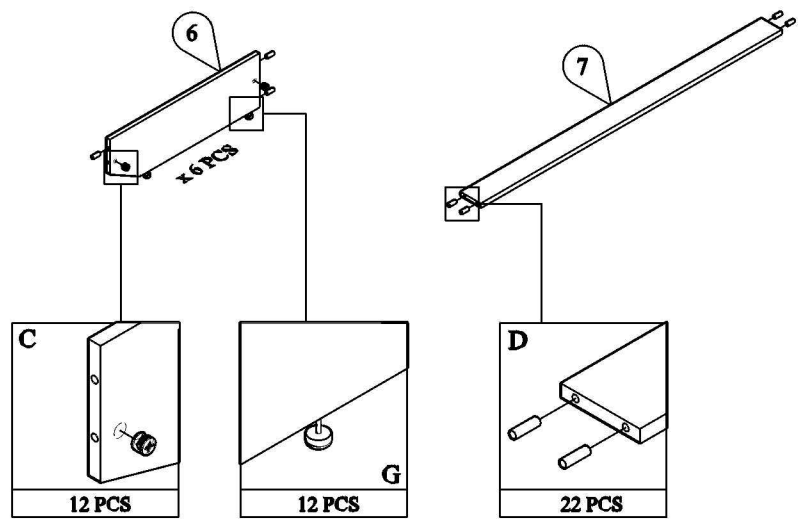
## STEP 1



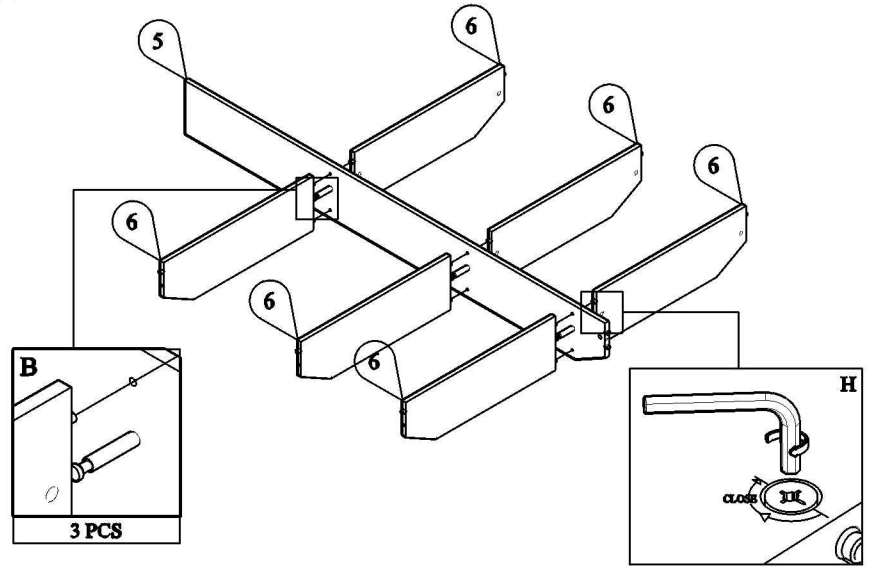
## STEP 2



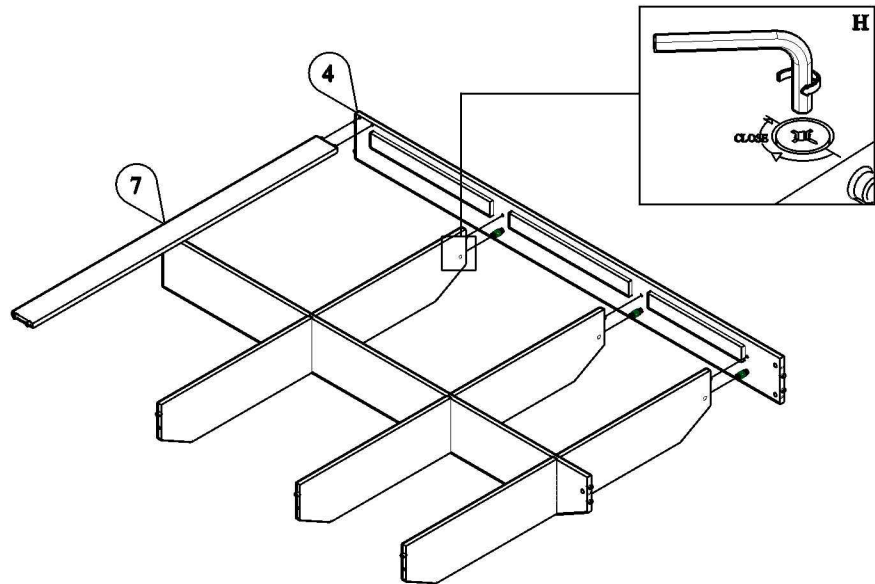
## STEP 3



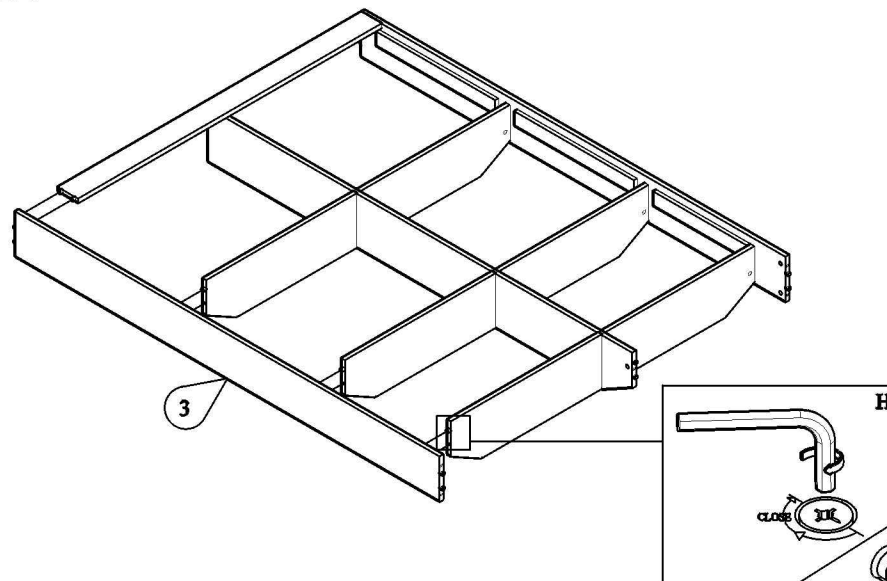
## STEP 4



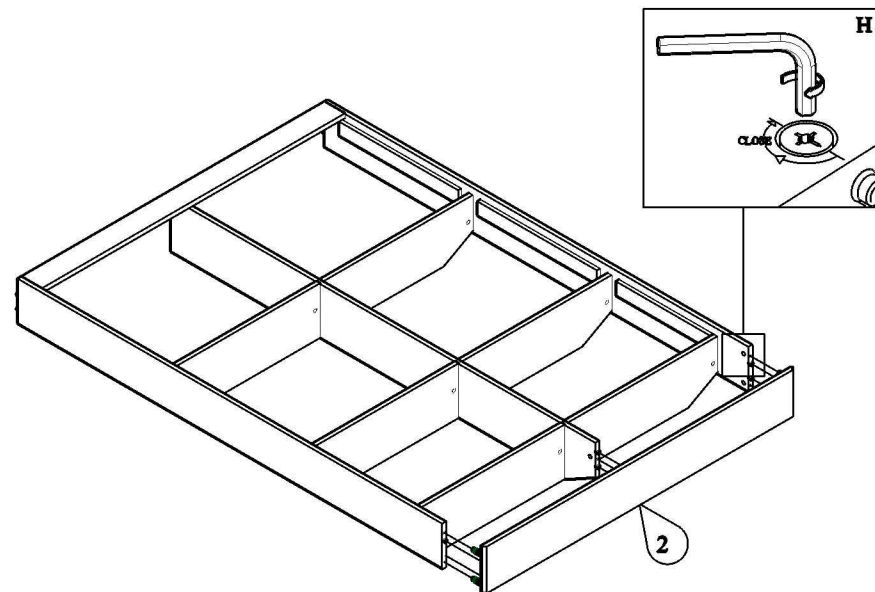
**STEP 5**



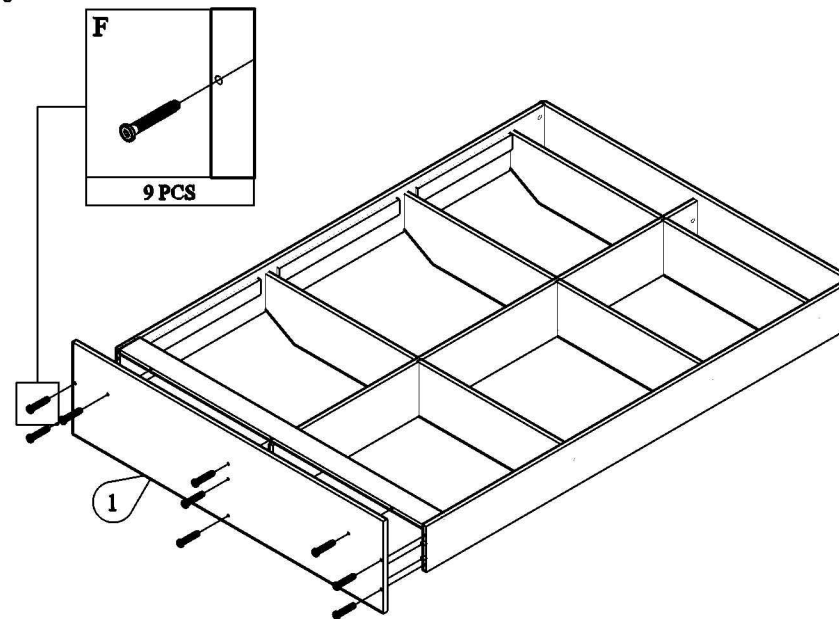
**STEP 6**



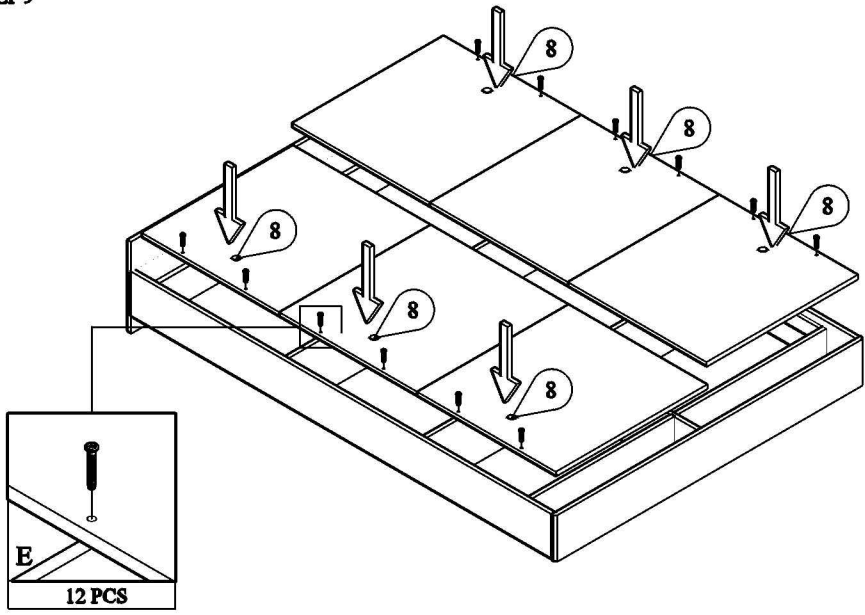
**STEP 7**



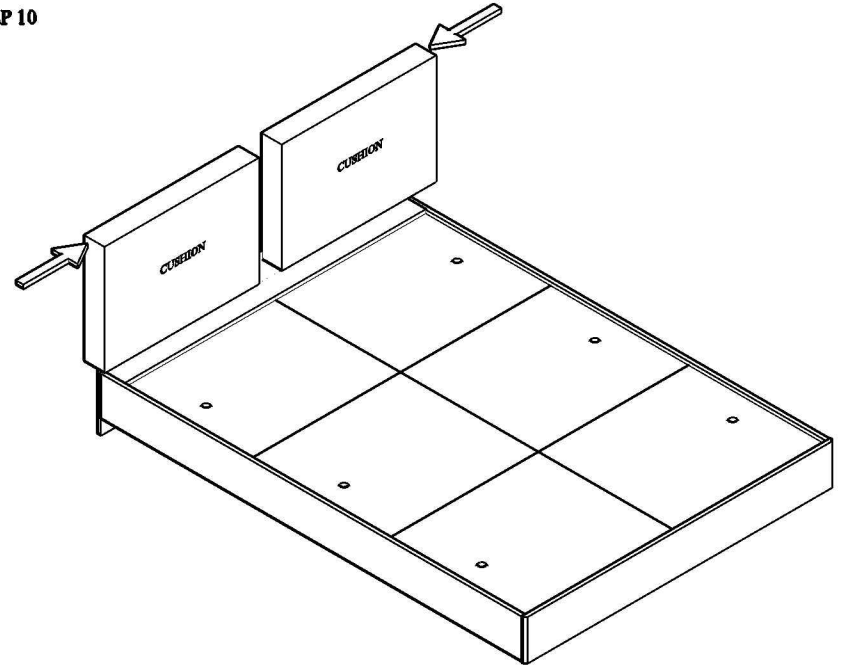
**STEP 8**



STEP 9



STEP 10



COMPLETED

